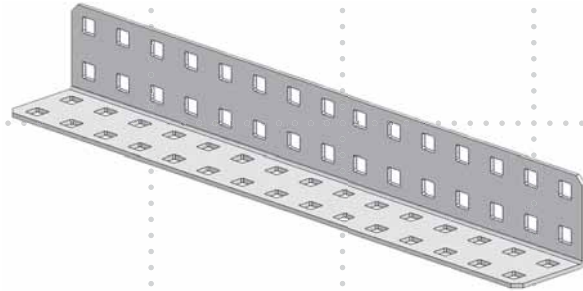


# complete inventory

component qty

chassis bumper 2



chassis rail 4

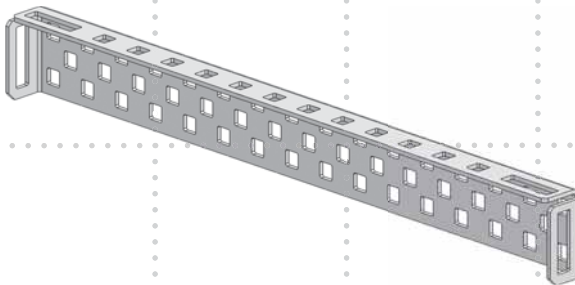
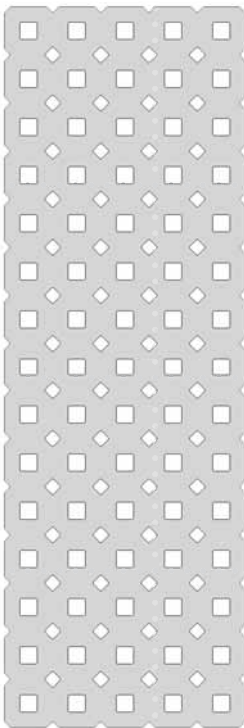
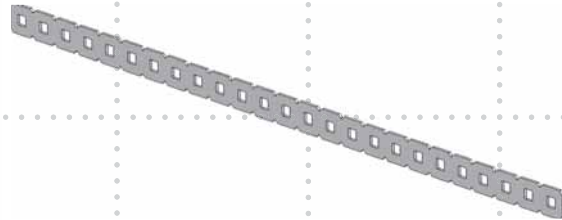


plate 2

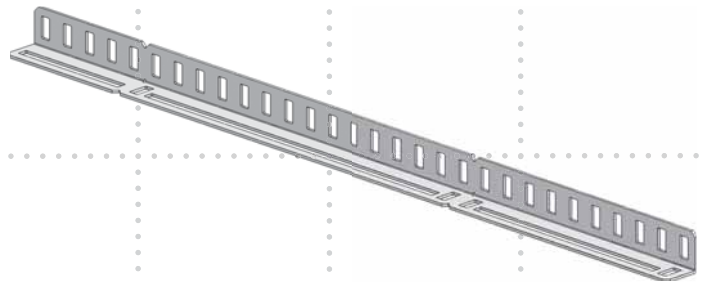


component qty

long bar 4



long angle bar 4



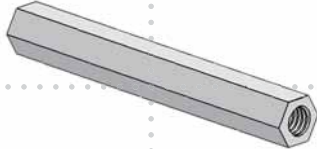

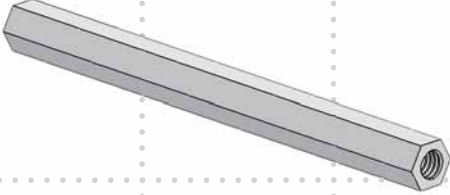

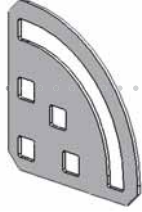

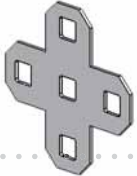

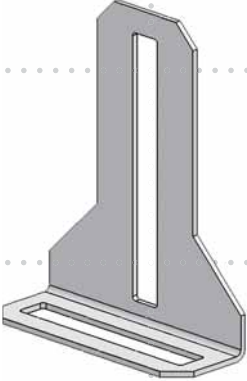

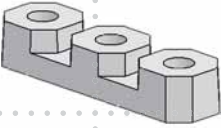
fully threaded beams (1/2") 10



fully threaded beams (1") 8

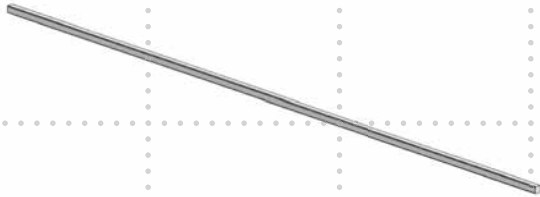



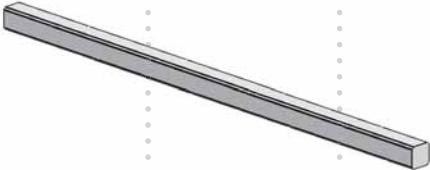









**complete inventory, continued**

component	qty	component	qty
partially threaded beams (2")	4	washer, steel	30
			
		Full size	
partially threaded beams (3")	4	washer, delrin	10
			
		Full size	
pivot	2	keps nut (1/4")	65
			
		Full size	
plus gusset	2	lock nut (1/4")	14
			
		Full size	
gusset	2	bearing block	6
			
		bearing flat	16
			

01/31/05

**complete inventory, continued**

component	qty	component	qty
square bar (12")	2	screw 8-32 x 1/4"	70
		 Full size	
square bar (2")	4	screw 8-32 x 3/8"	28
		 Full size	
square bar (3")	4	screw 8-32 x 1/2"	28
		 Full size	
collar	16	screw 8-32 x 3/4"	14
		 Full size	
threaded screw for collar	16	lock plate	4
 Full size			
plastic spacer .318"	20	plastic spacer .182"	20
			

01/31/05

**complete inventory, continued**

component

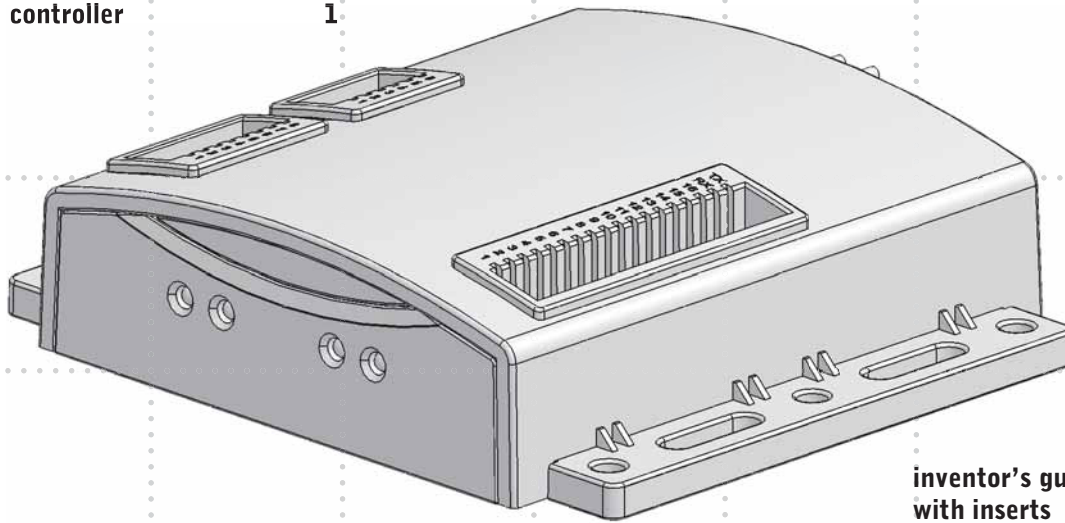
qty

component

qty

controller

1



inventor's guide with inserts

1

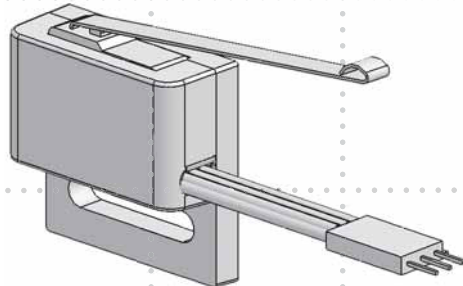
jumper clip

5



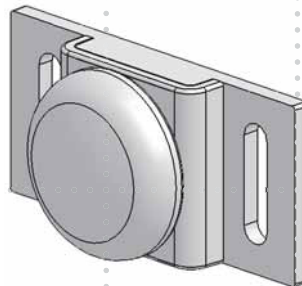
limit switch

2



bumper switch

2



motor screw 6-32 x 1/4"

10



Full size

motor screw 6-32 x 1/2"

10



Full size

**complete inventory, continued**

component

qty

component

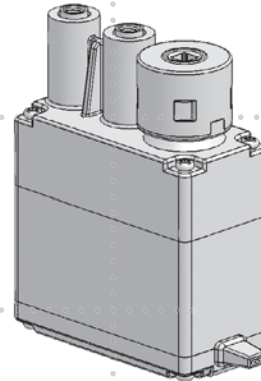
qty

12-tooth gear

4

servo motor

1

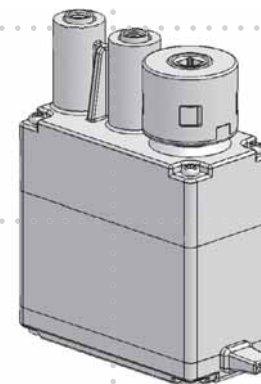
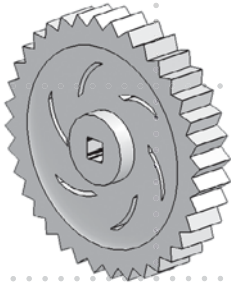


36-tooth gear

4

motor assembly

3

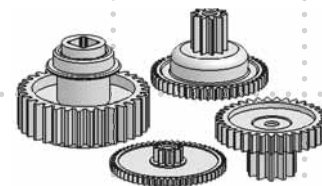
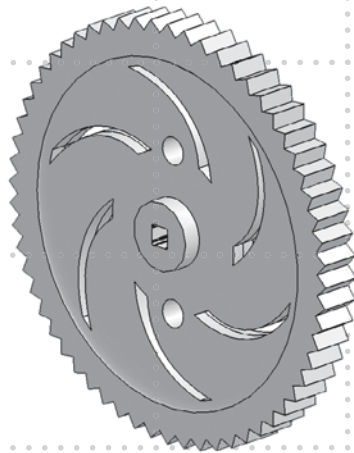


60-tooth gear

4

replacement gears  
(4 per set)

2

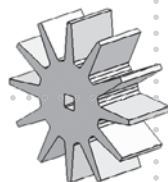


intake roller

2

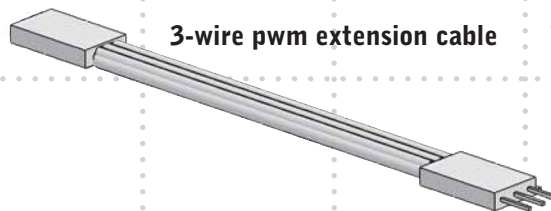
clutch post

4



3-wire pwm extension cable

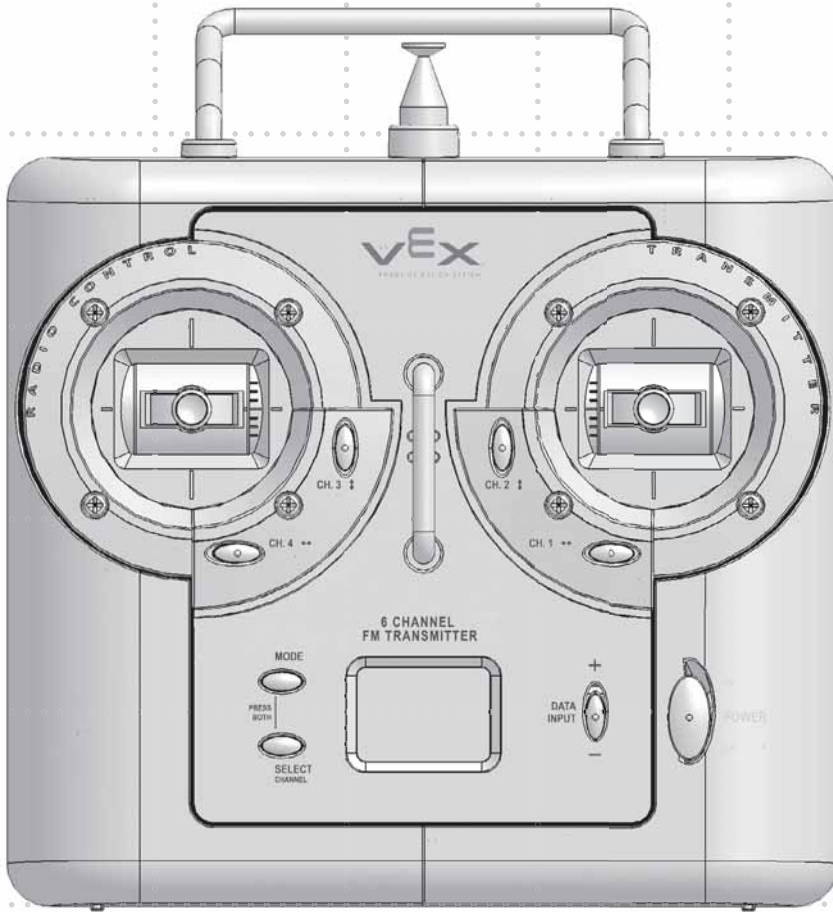
1



**complete inventory, continued**

component	qty	component	qty
-----------	-----	-----------	-----

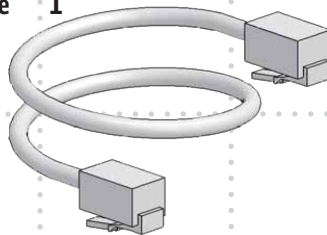
**transmitter**                      **1**



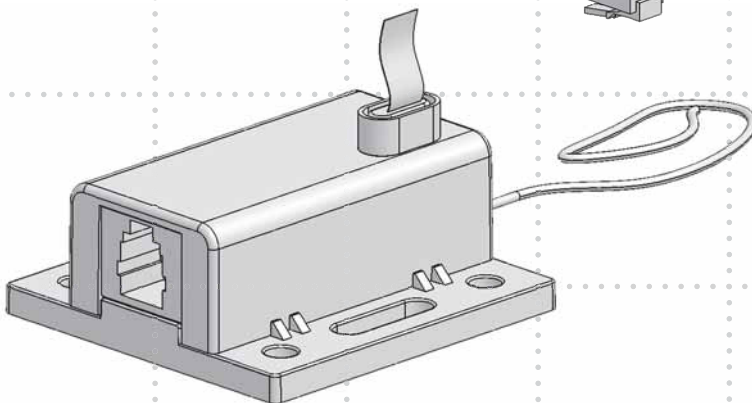
**receiver antenna sleeve**                      **1**



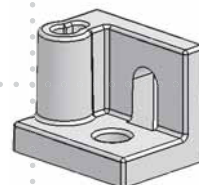
**receiver to controller cable**                      **1**



**RF receiver module**                      **1**



**receiver antenna sleeve holder**                      **1**



01/31/05

**complete inventory, continued**

component

qty

component

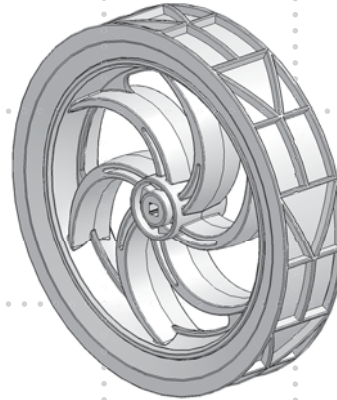
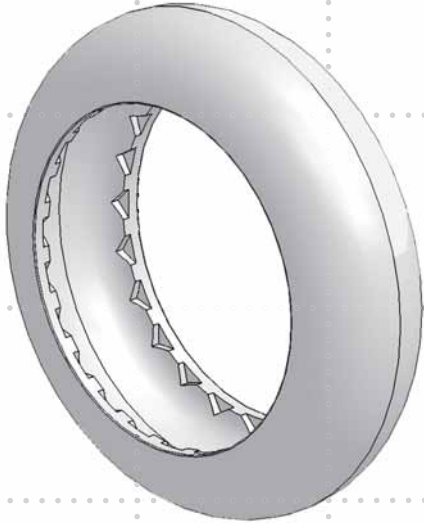
qty

**2.75" removable tire**

**4**

**all-purpose tire**

**2**

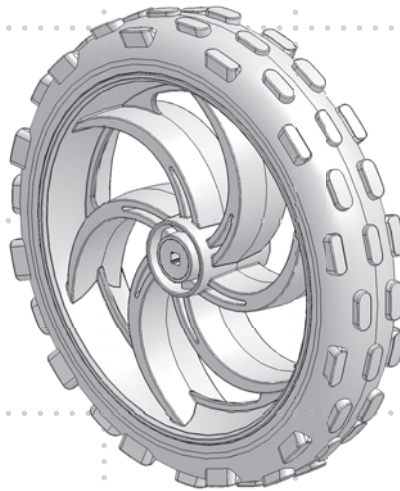
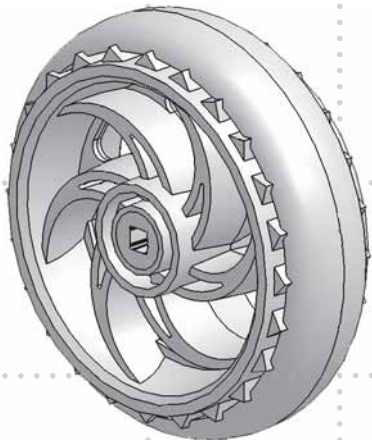


**1.895" hub  
for removable tire**

**4**

**knobby tire**

**2**

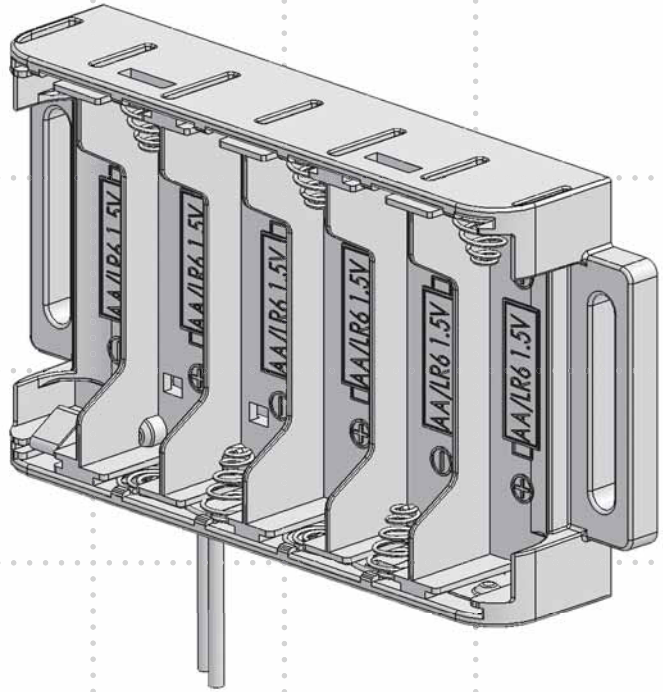
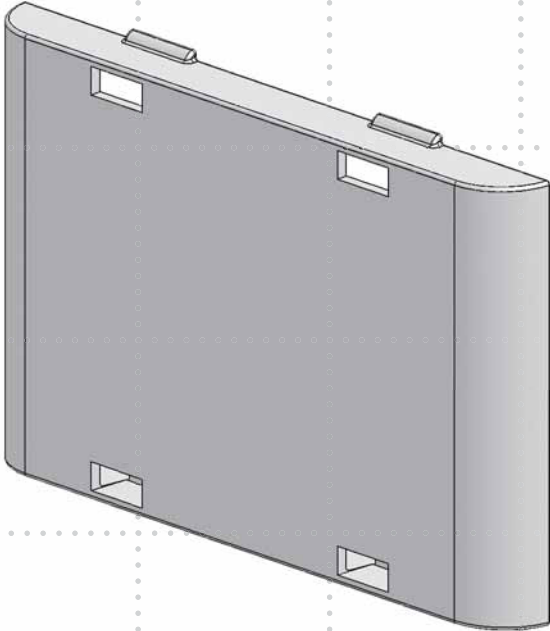


**complete inventory, continued**

component qty

component qty

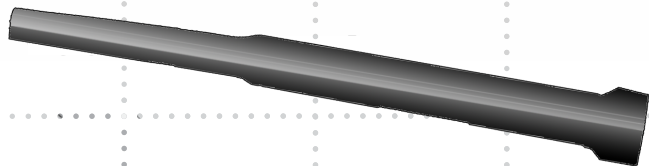
battery holder with lid 1



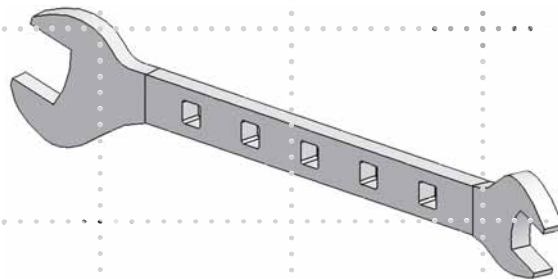
3/32" hex L driver 1



Nut Starter 1



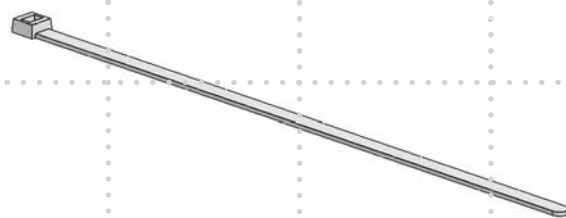
wrench 1



5/64" hex L driver 1



wire tie (4") 100



01/31/05