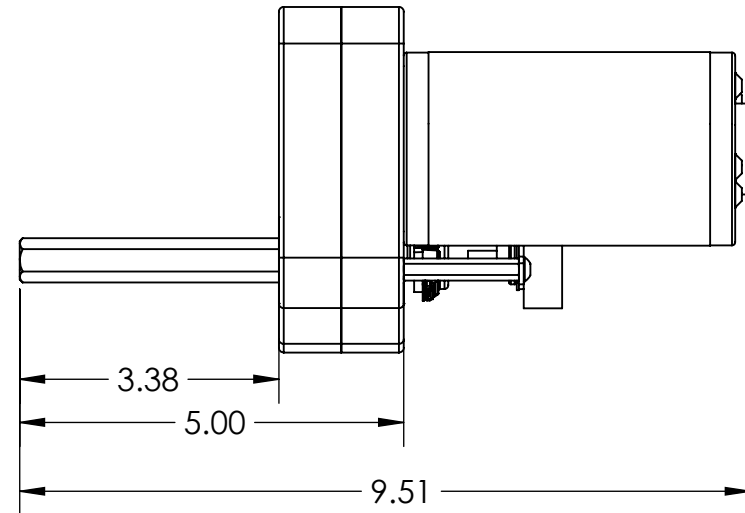
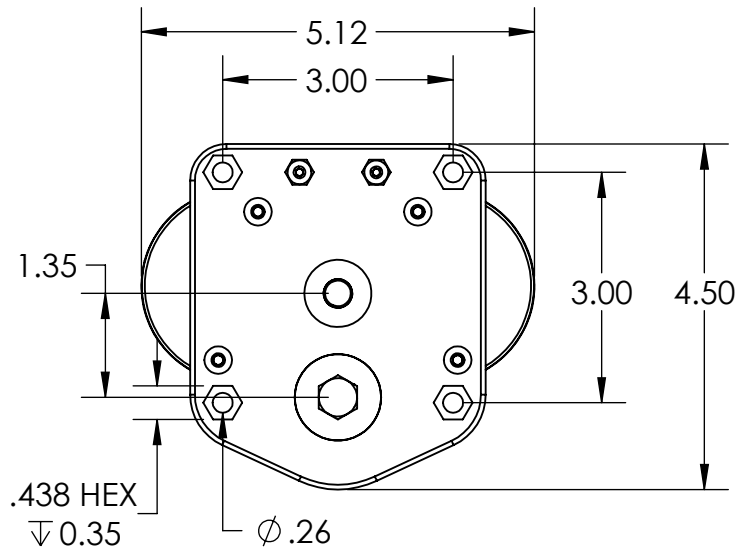


OUTPUT SHAFT



Description	VEXpro SINGLE SPEED, DOUBLE REDUCTION	
Dwg No	217-2454 Release	
Project	VEXpro	Sheet 1 of 1
Release	1/4/2013	<b>ALL DIMENSIONS ARE IN INCHES [MM].</b>