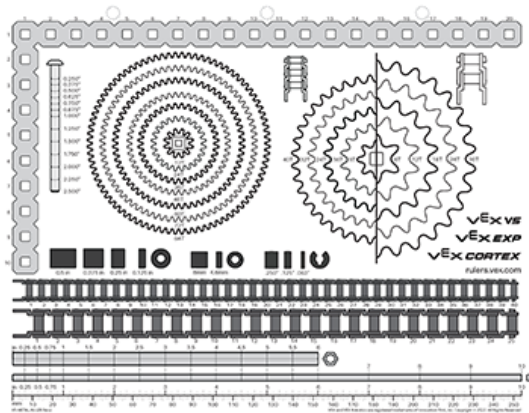


VEX V5 Tips and Tricks for Building Striker

In this Lesson: You learn about tips and tricks for building the HeroBot Striker. You learn about how to use the build instructions, and other things to consider when building the robot.

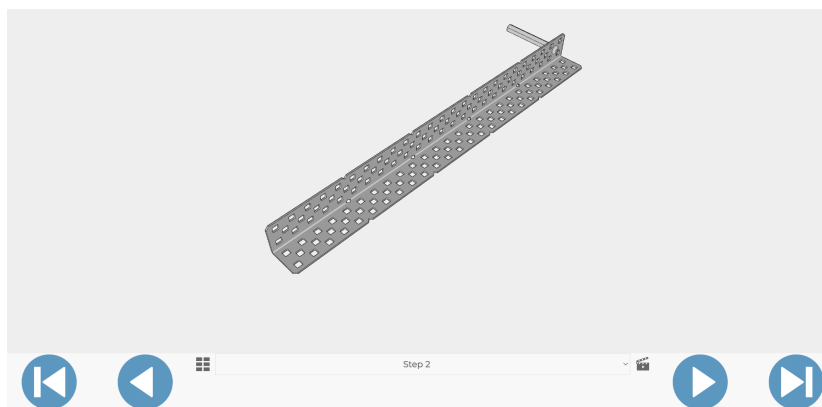
Notes:

- The V5 Parts Ruler and the V5 Parts poster are essential tools for building Striker, making the process easier by providing accurate measurements and names of individual pieces.



- **Build Instructions**

- 3D, interactive instructions
- Can move the build around to see orientation or select individual parts to identify their size and name.
- At the bottom of the instructions, you can view all steps and move forward and backward between steps.



- **Tips and Tricks**

- Sort the pieces from the kit before beginning to build.
- Orient the build in front of you as shown in the build instructions online to make the process easier.
- Double check your work often to ensure it matches the build instructions.