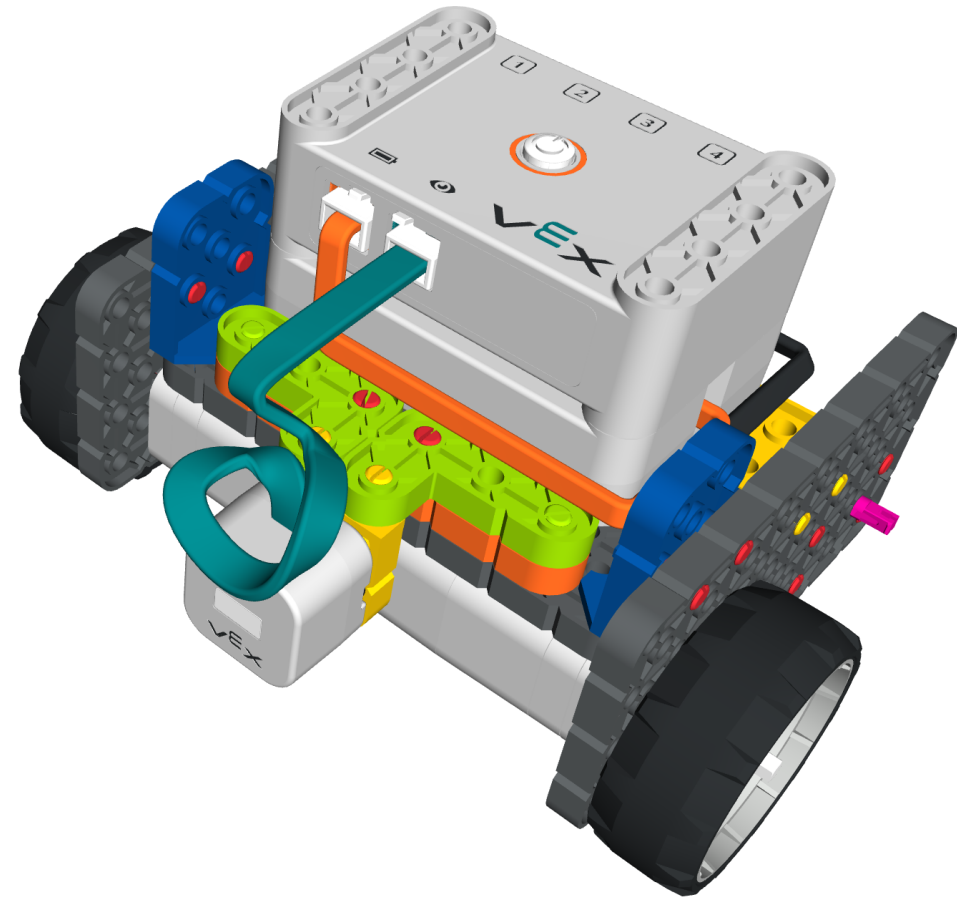


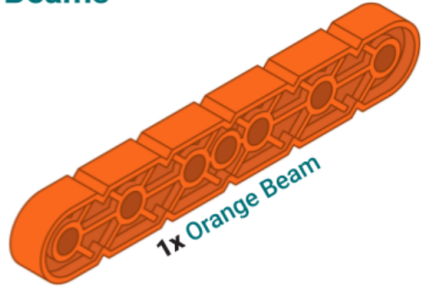


3D Build Instructions

Code Base 2.0 - Eye Forward



Beams



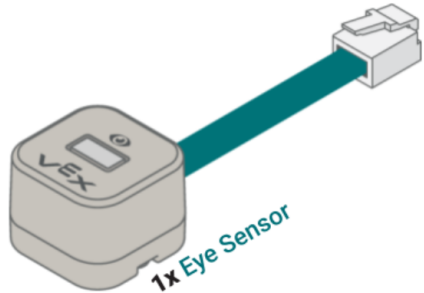
1x Orange Beam

Angle Beams



2x Green Angle Beam

Electronics



1x Eye Sensor

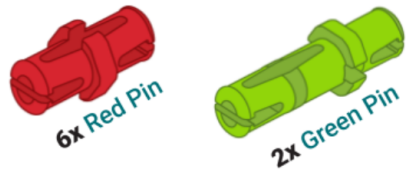
Connectors



1x Yellow Connector

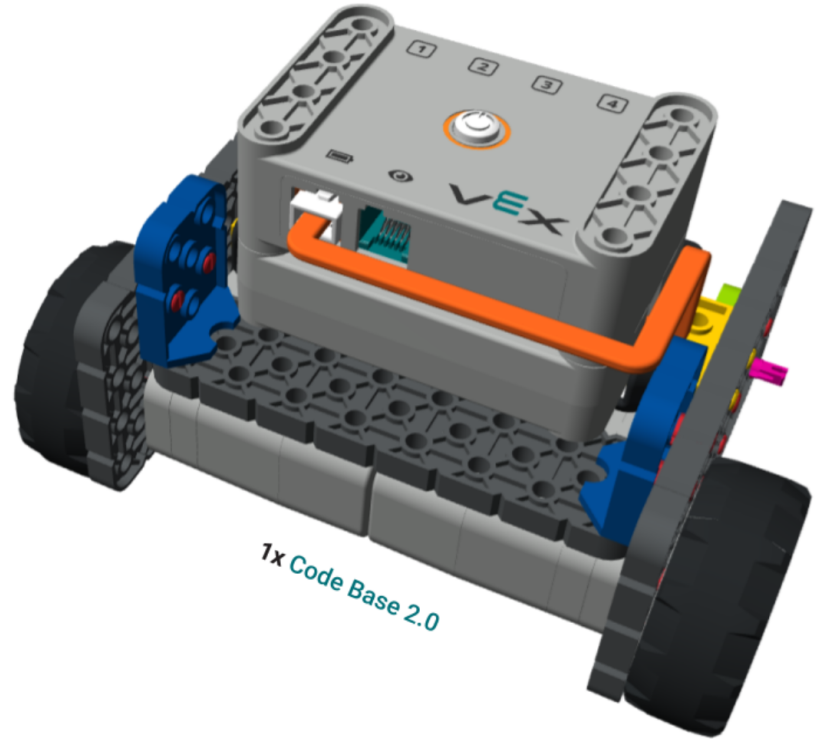


Pins

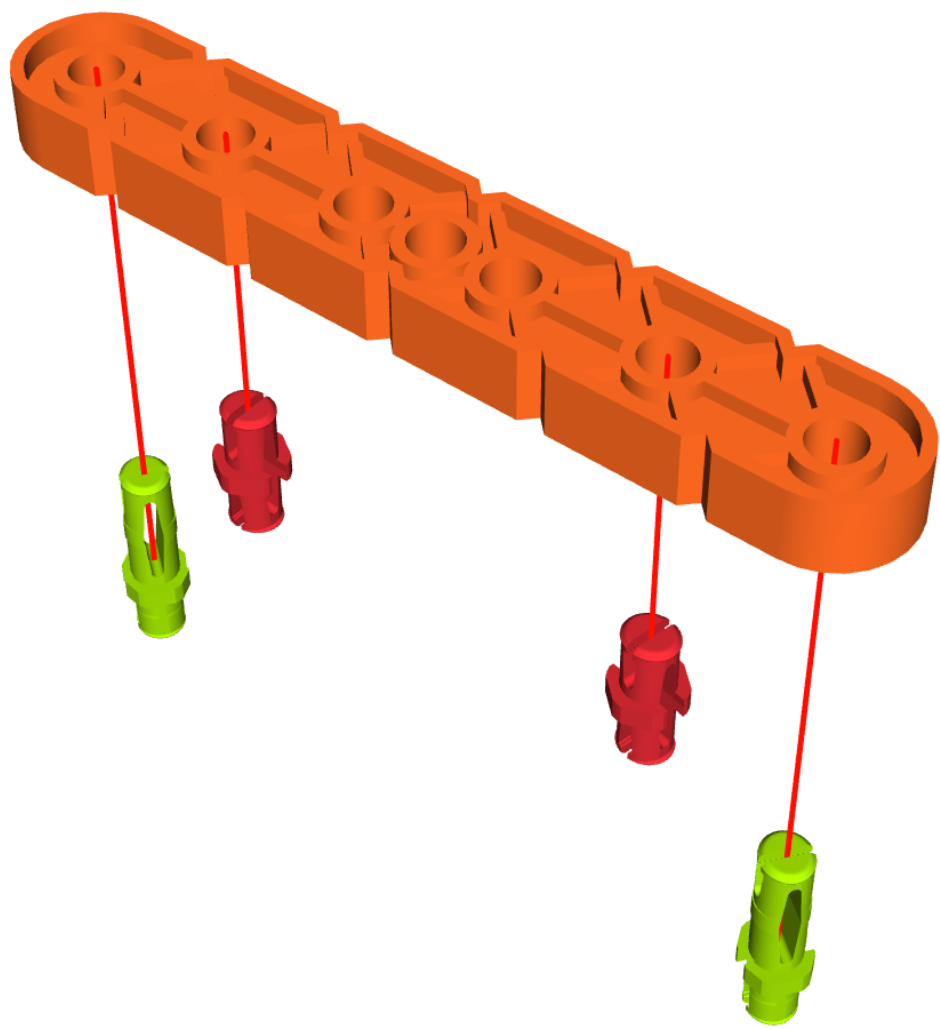


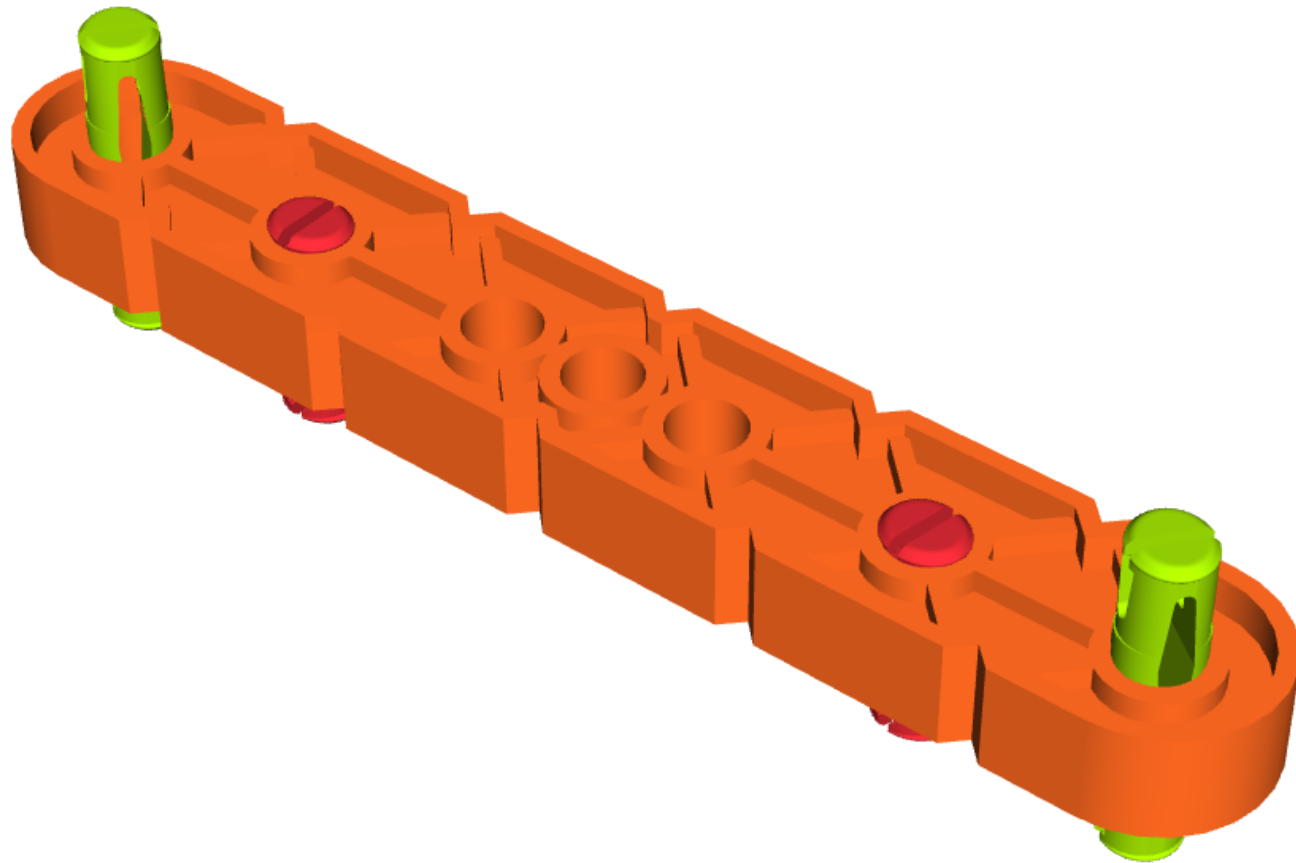
6x Red Pin

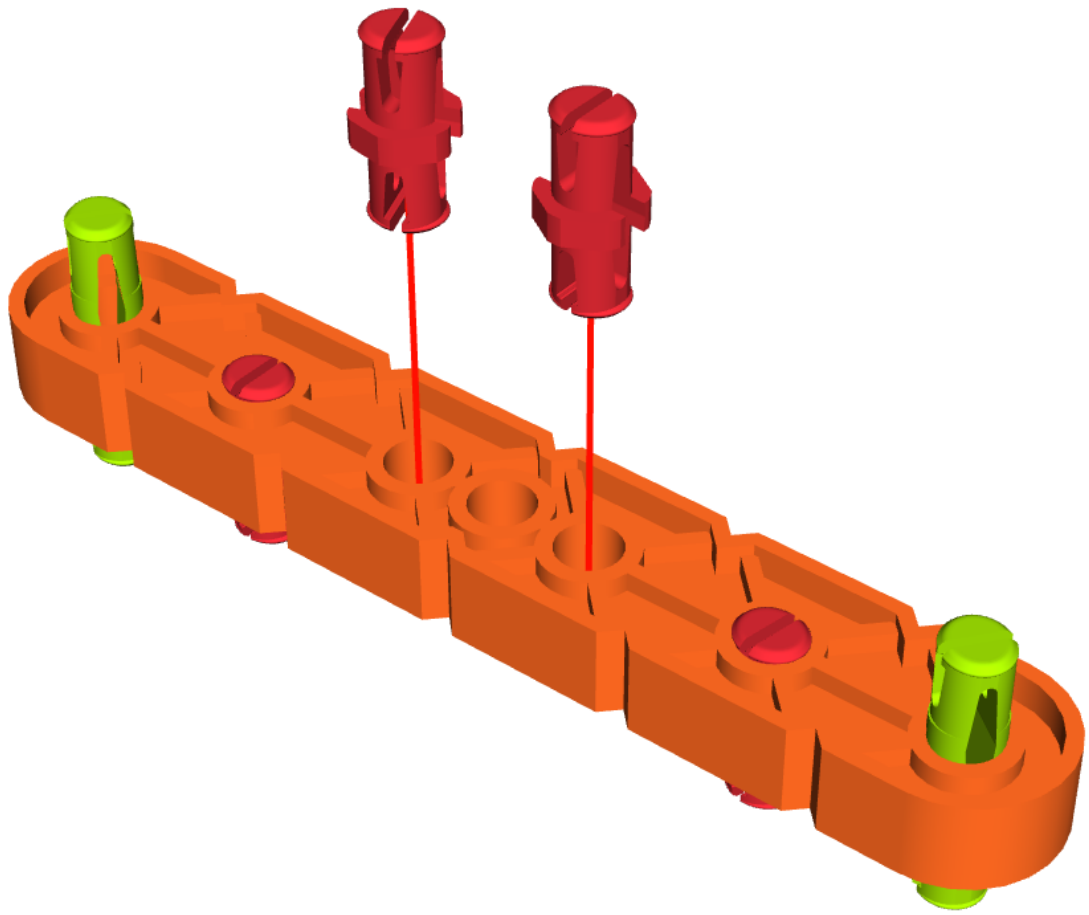
2x Green Pin

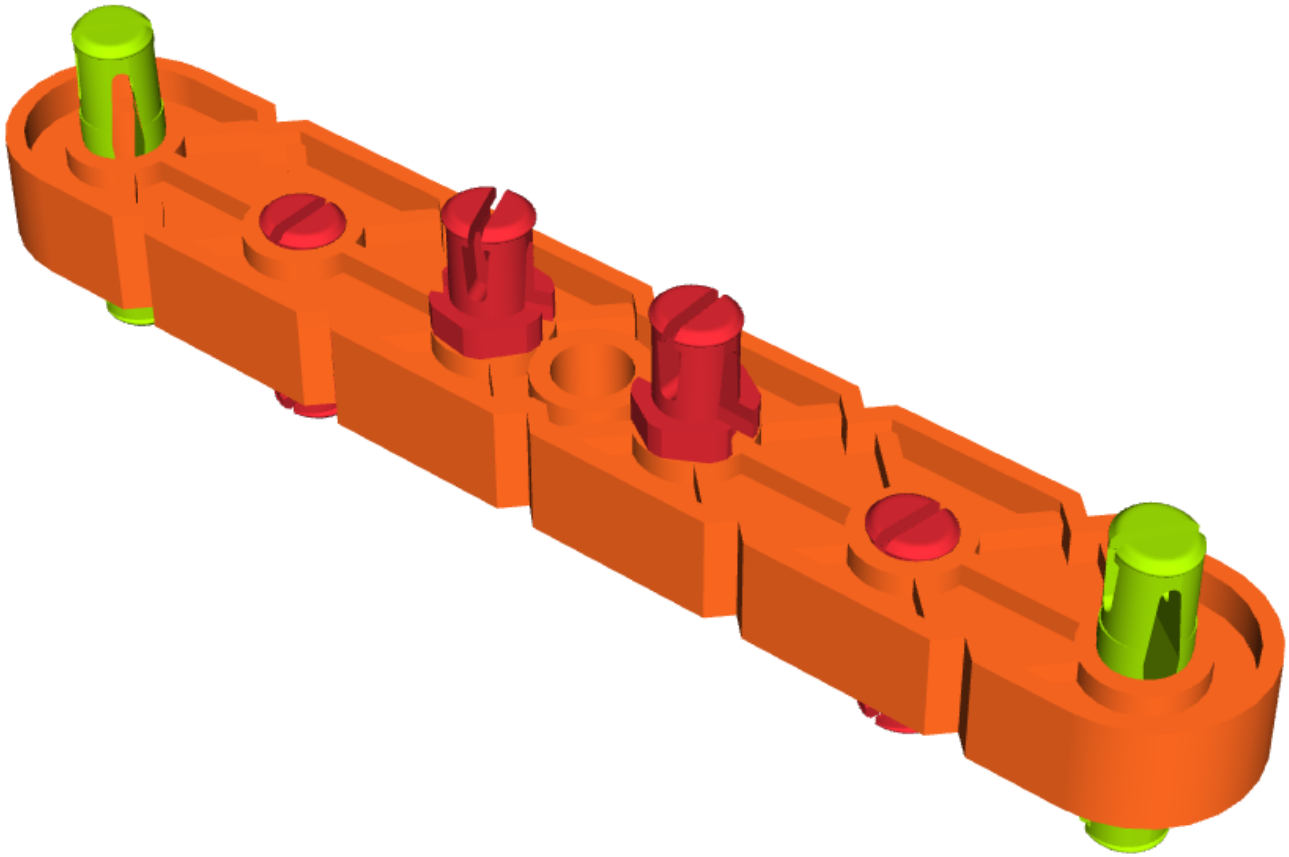


1x Code Base 2.0









7

