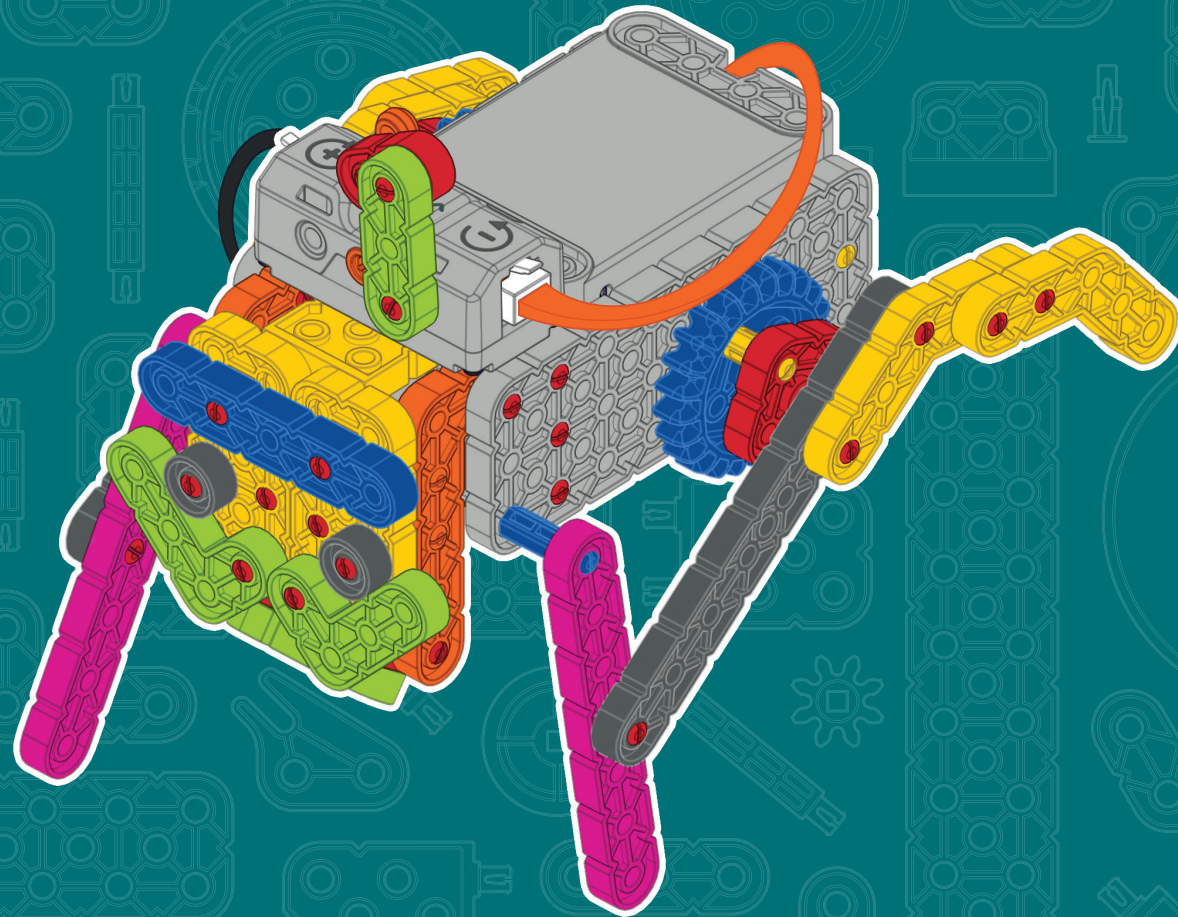
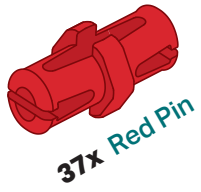


VEX GO

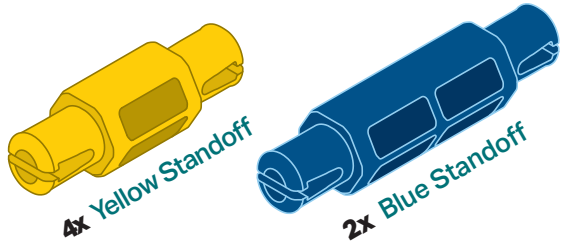
Ed Build Instructions



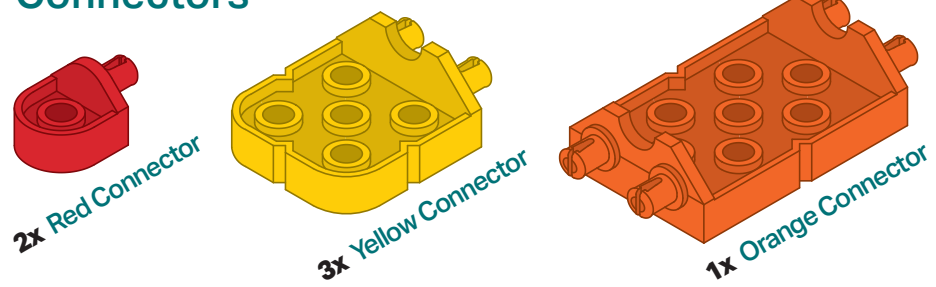
Pins



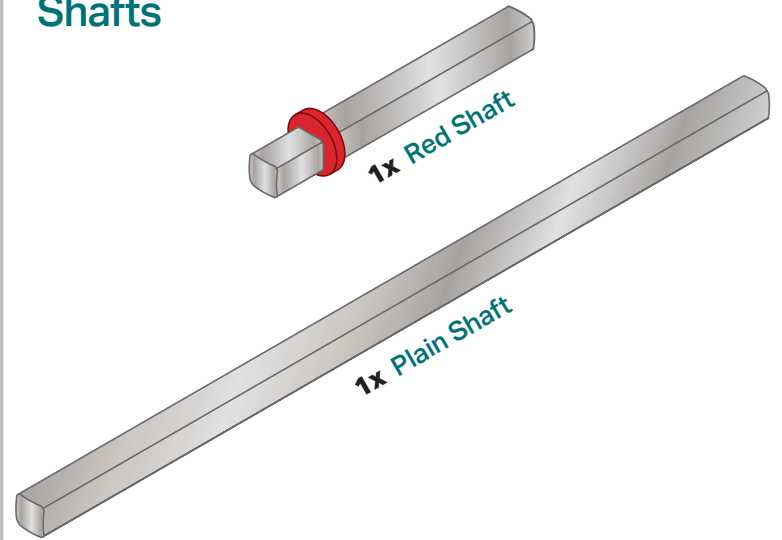
Standoffs



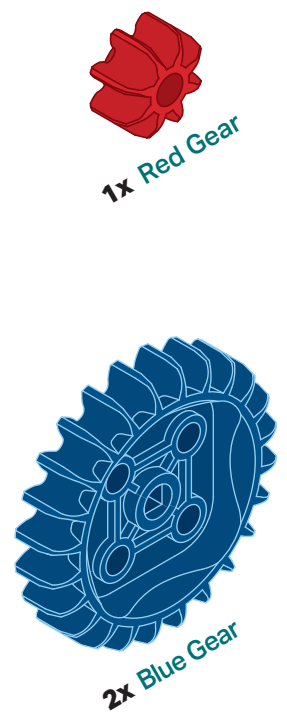
Connectors



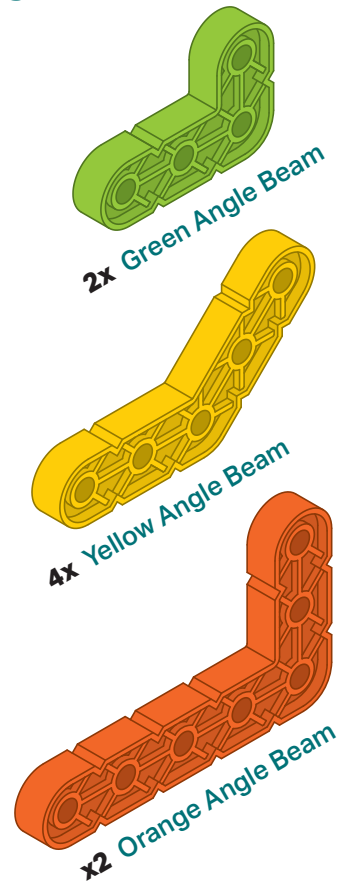
Shafts



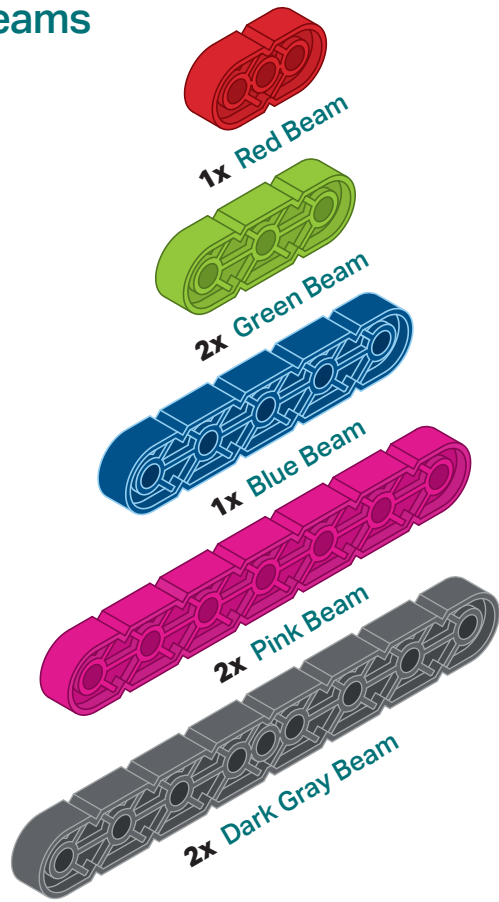
Gears



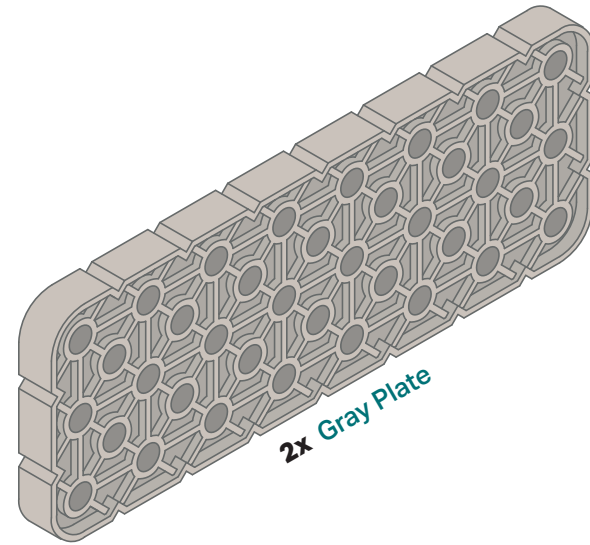
Angle Beams



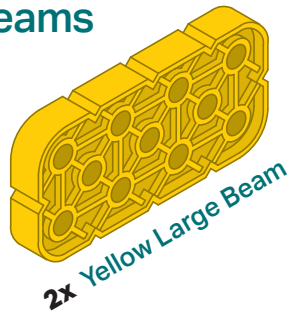
Beams



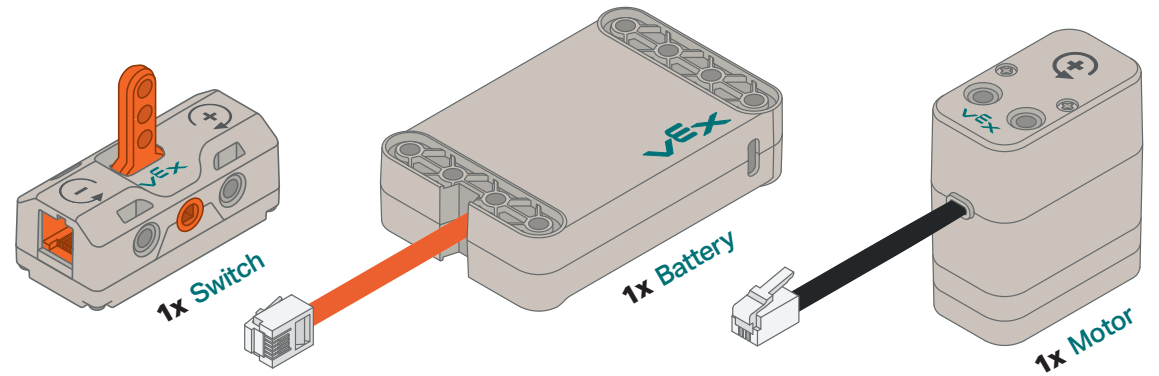
Plates



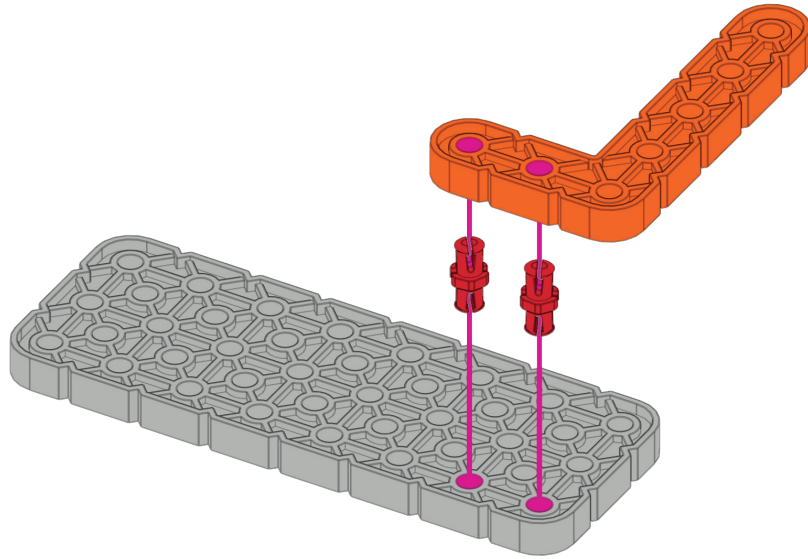
Large Beams



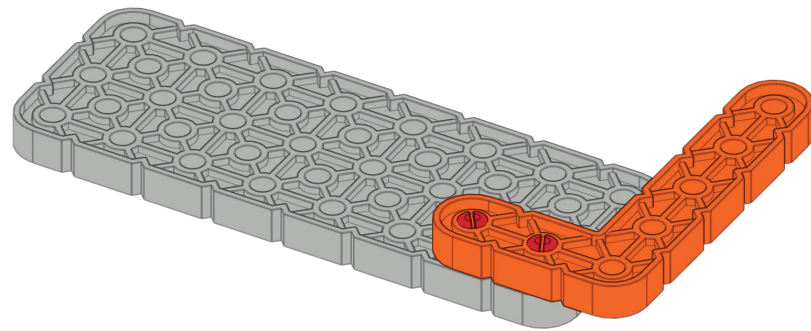
Electronics



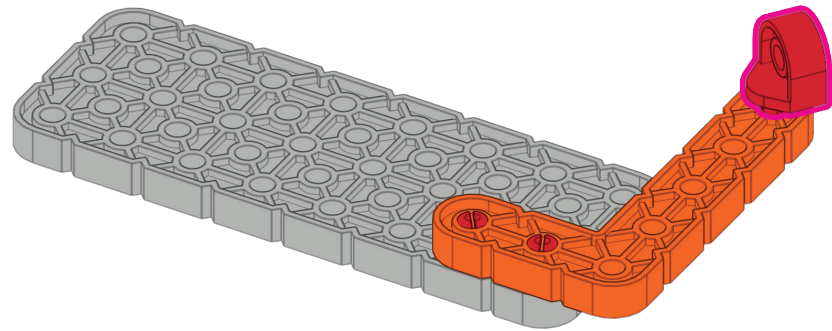
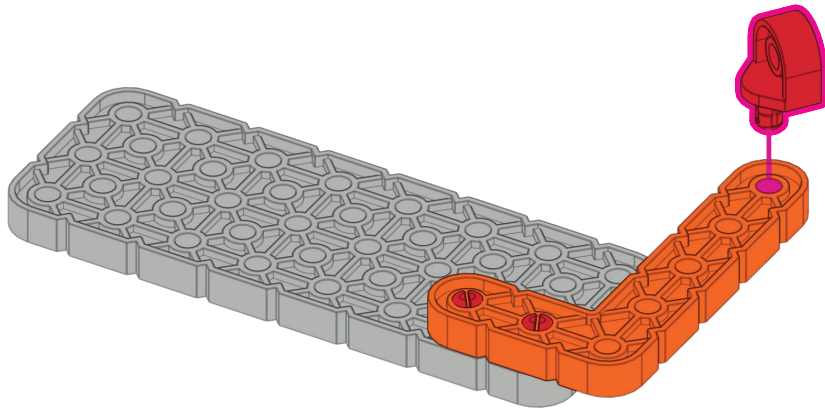
1



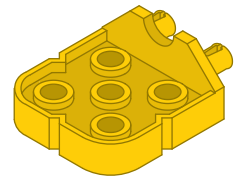
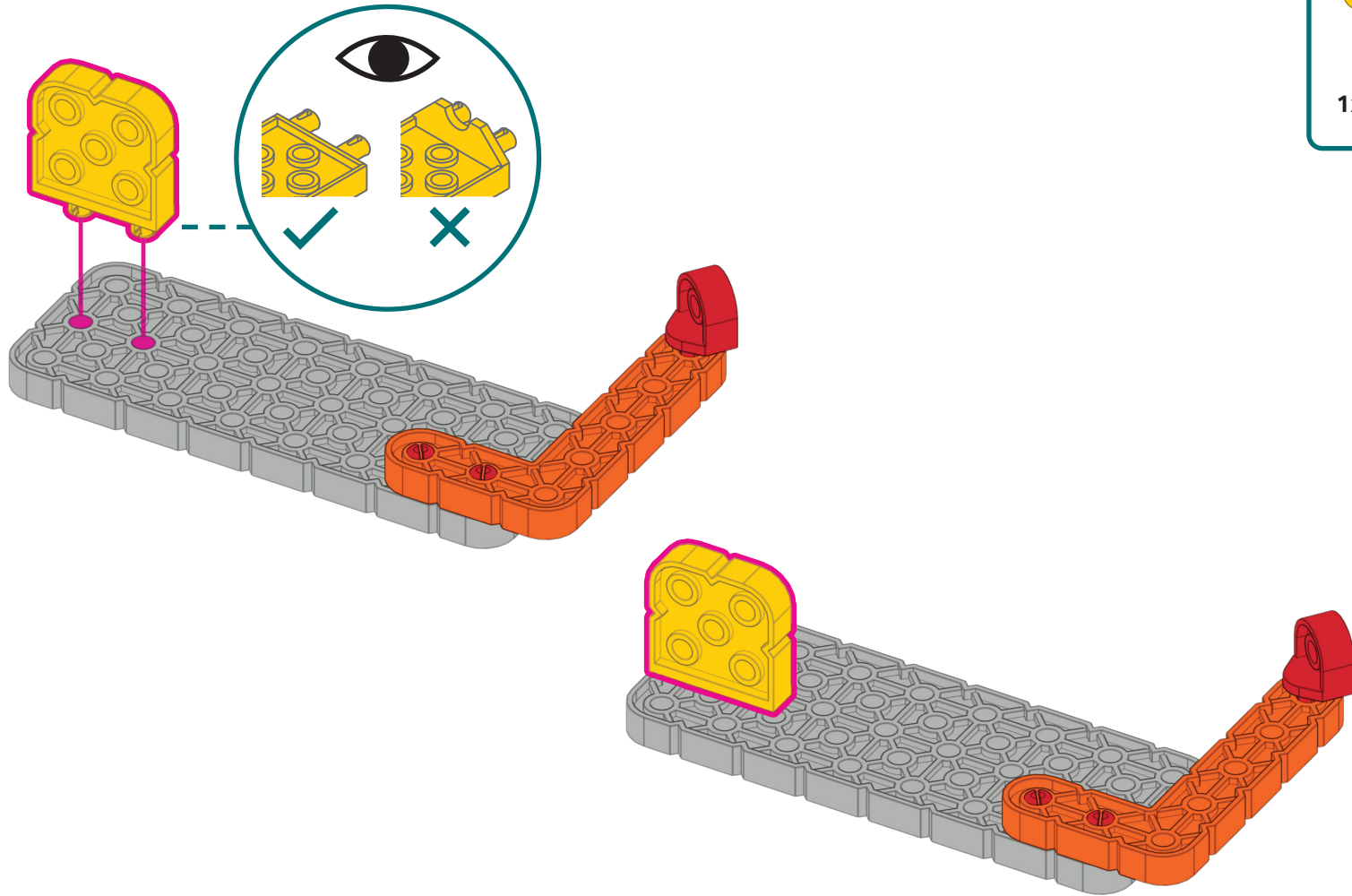
1x Orange Angle Beam 2x Red Pin 1x Gray Plate

A parts list diagram enclosed in a teal border. It displays three items: an orange L-shaped beam, two red pins (one shown from the side and one from the top), and a gray rectangular plate with a grid of holes.

2

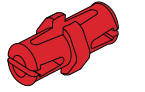


3

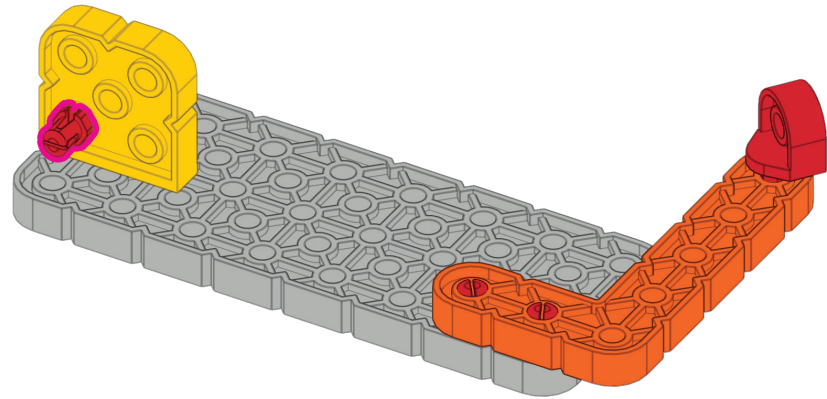
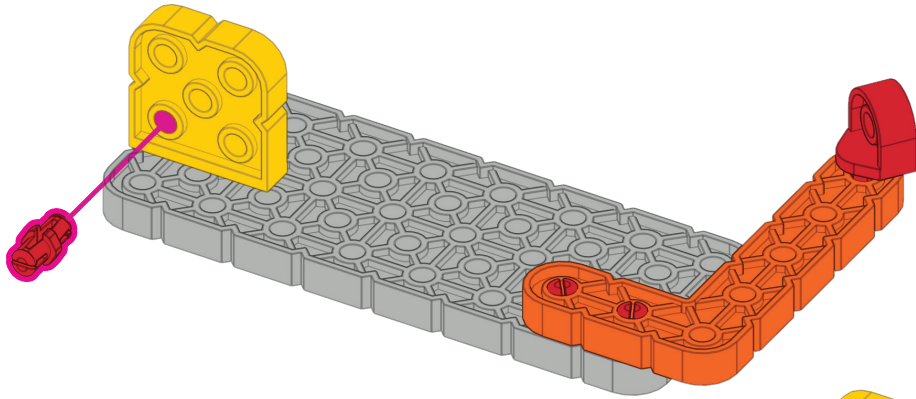


1x Yellow Connector

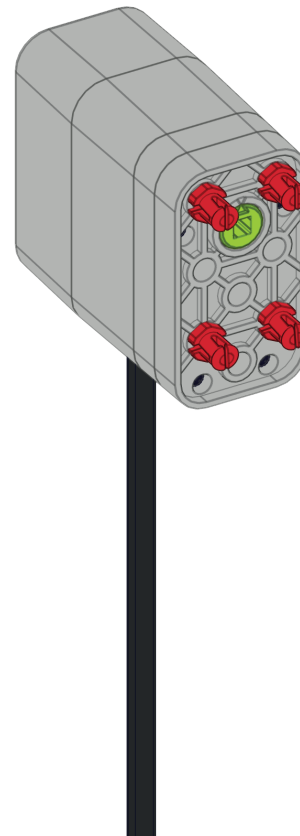
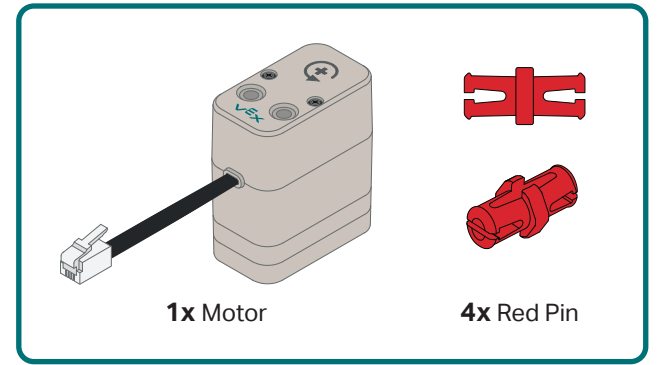
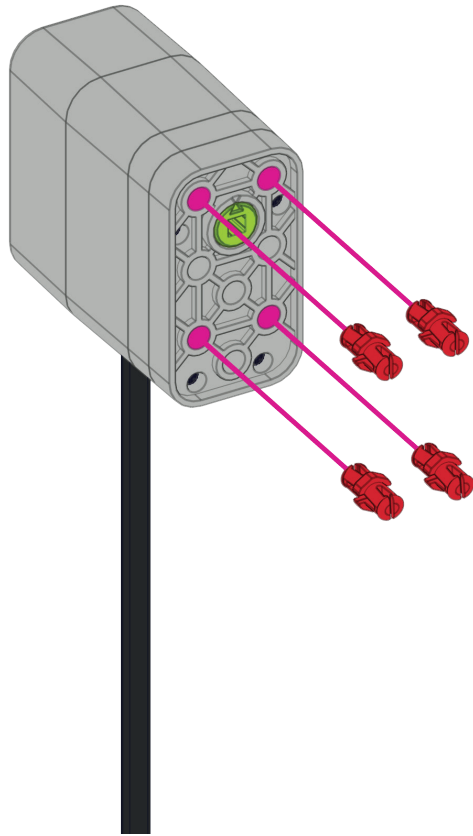
4



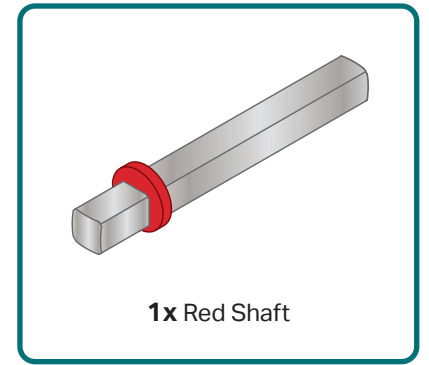
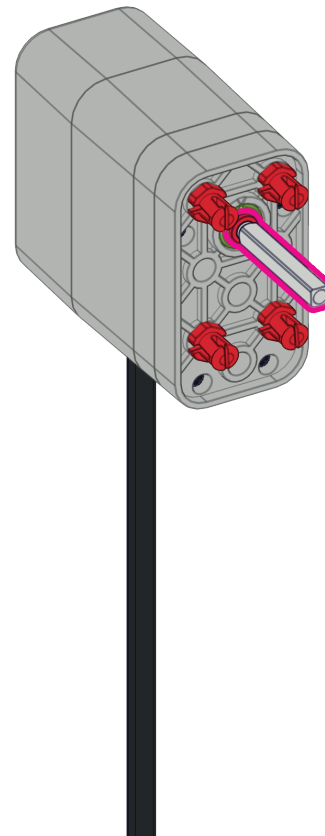
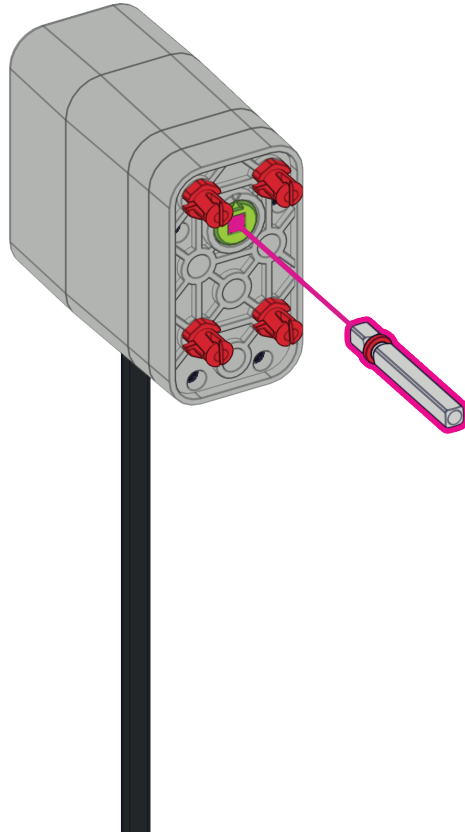
1x Red Pin



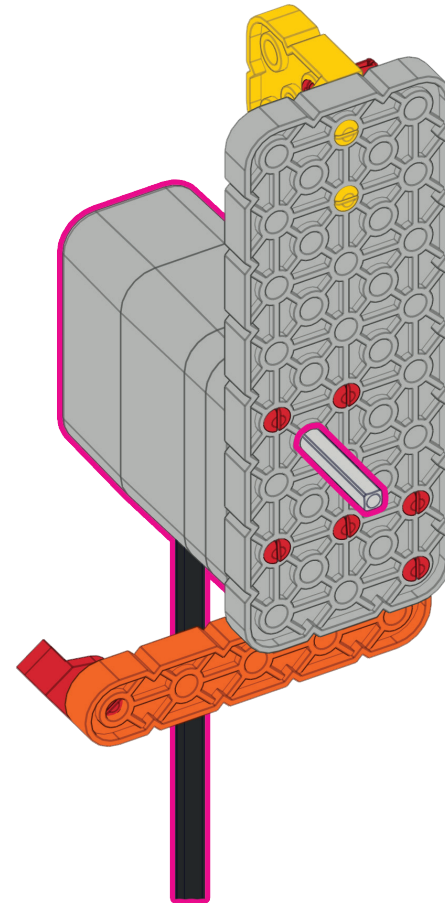
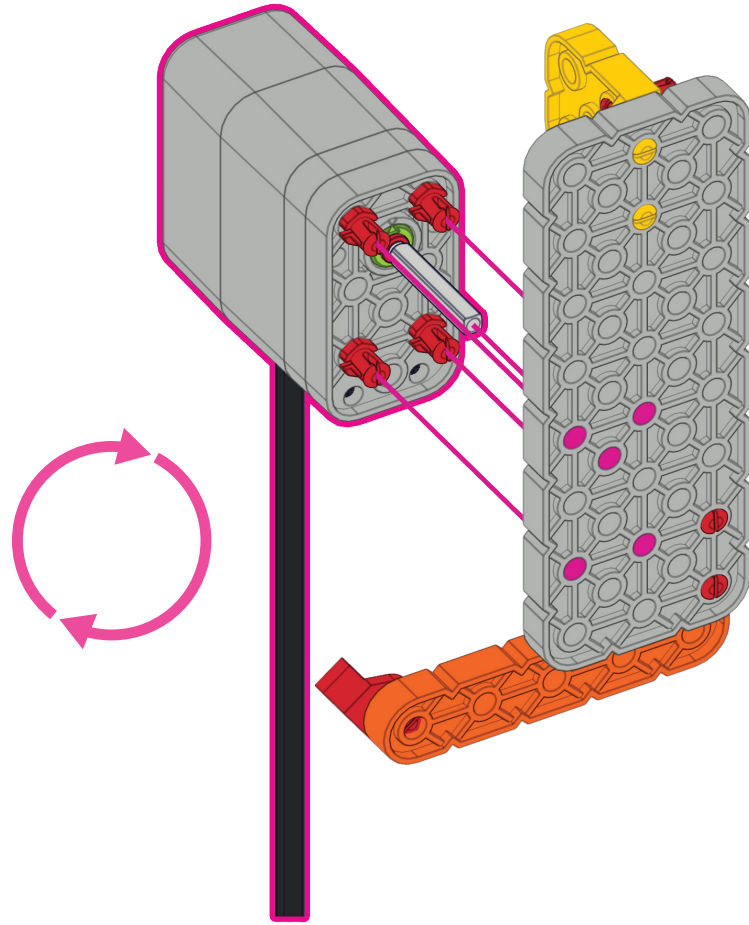
5

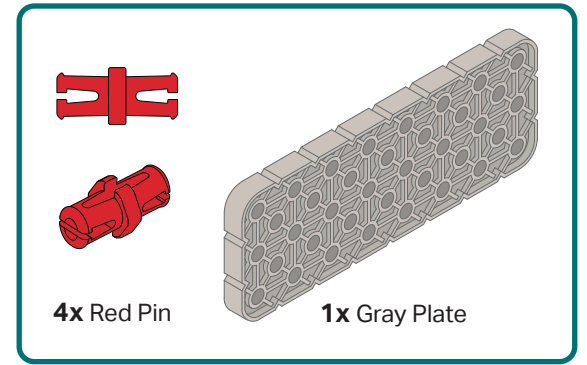


6



7

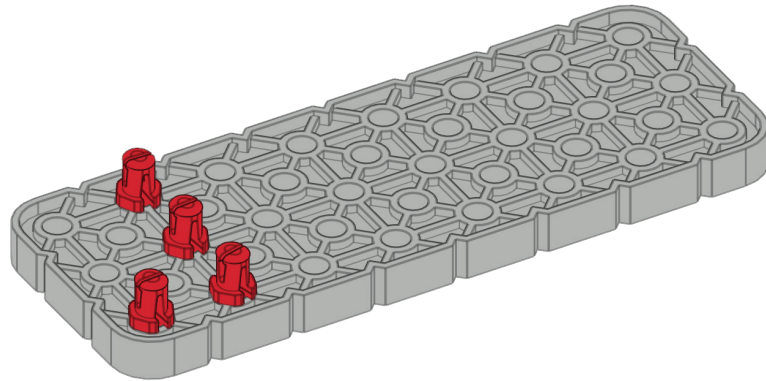
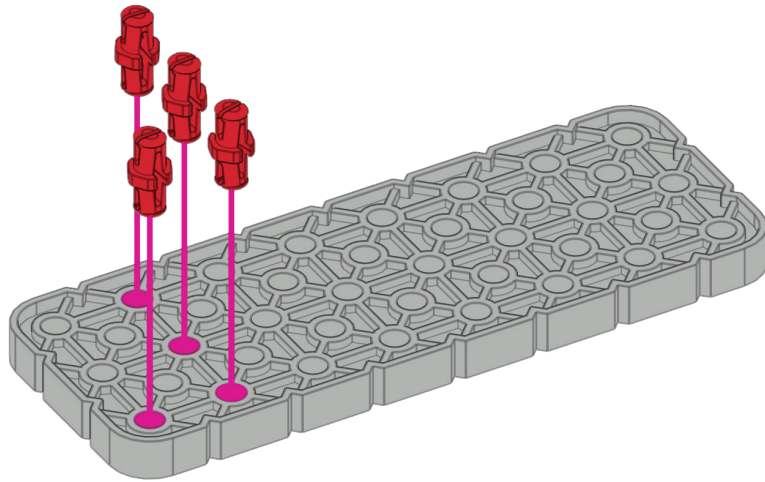


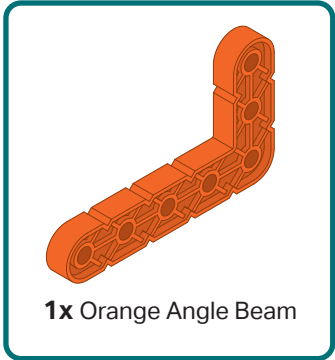
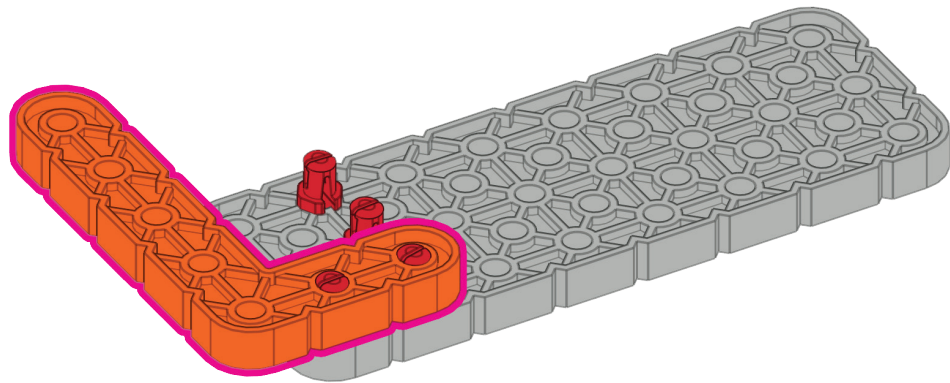
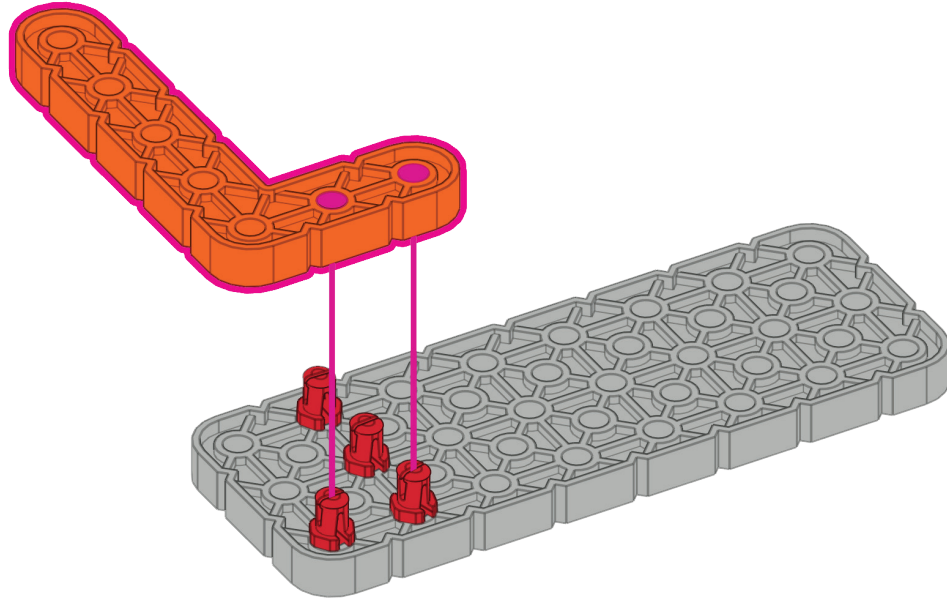


4x Red Pin

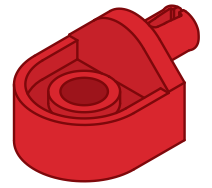
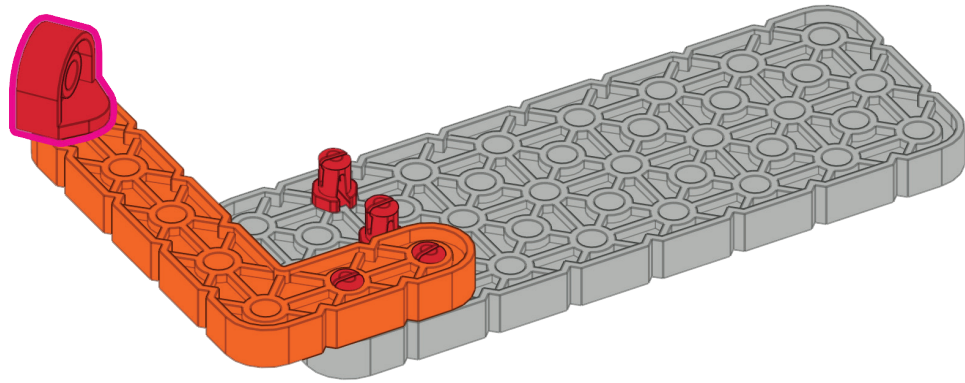
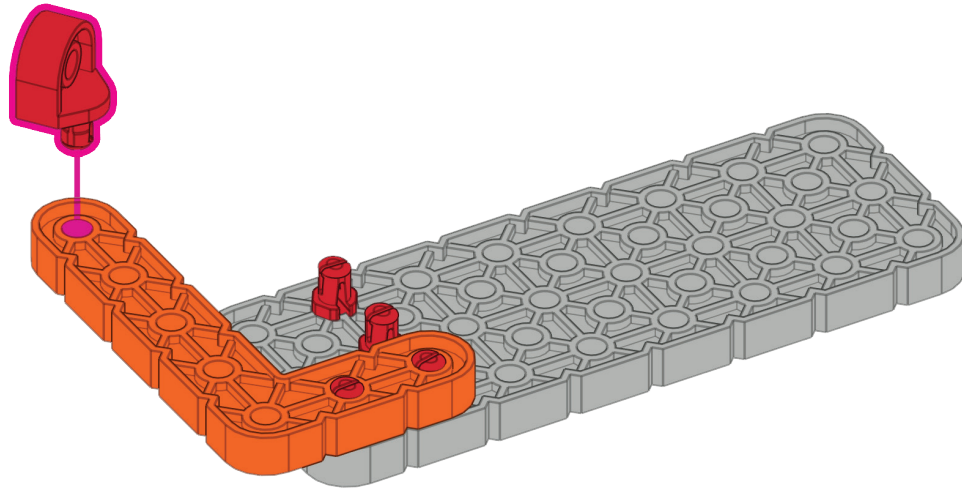
1x Gray Plate

This block contains a parts list for step 8. It features a red T-shaped pin, a red cylindrical pin with a flange, and a gray rectangular plate with a grid of circular holes. The text '4x Red Pin' and '1x Gray Plate' is positioned below their respective images.

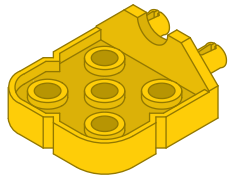




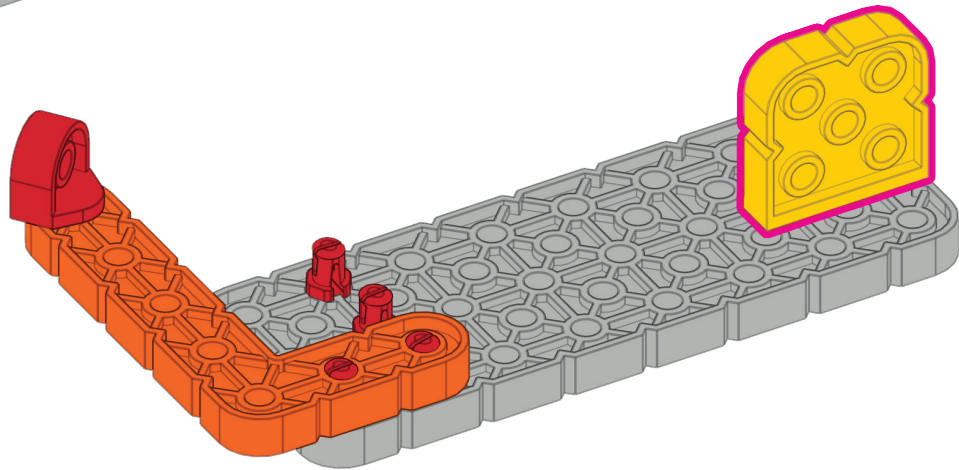
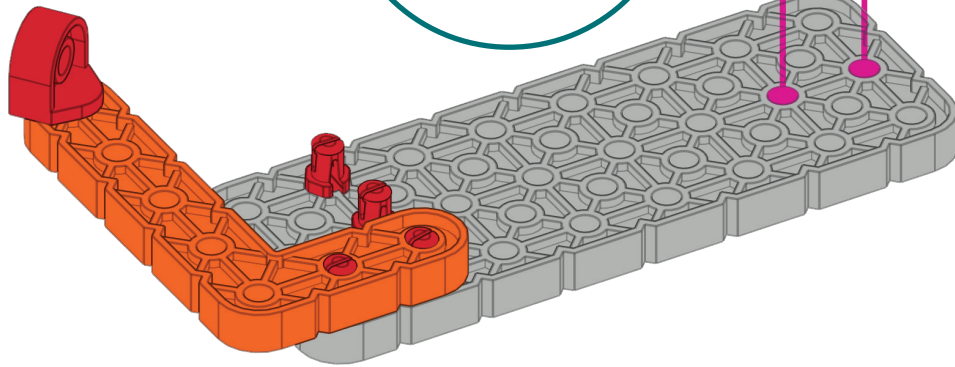
1x Orange Angle Beam

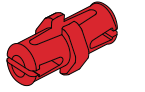


1x Red Connector

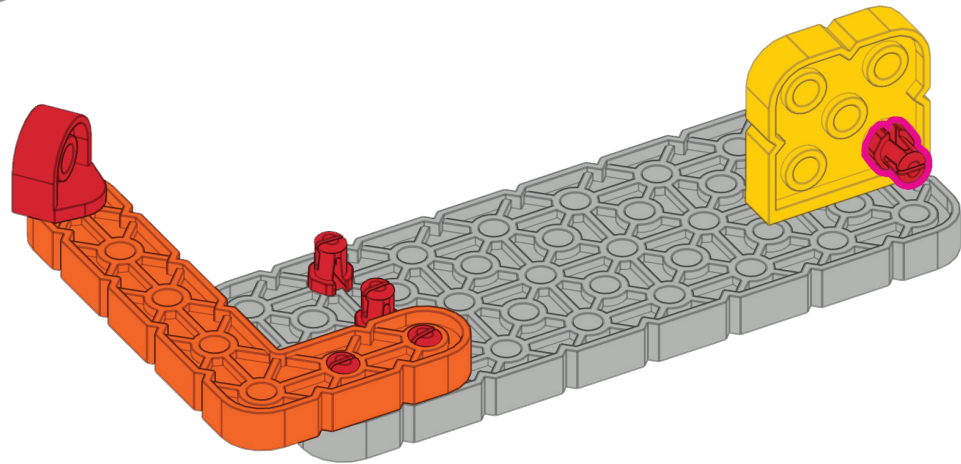
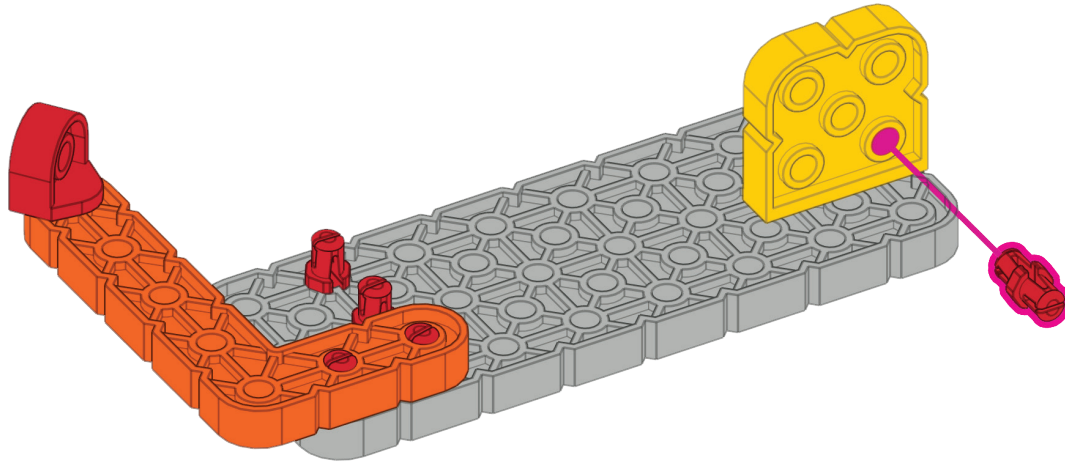


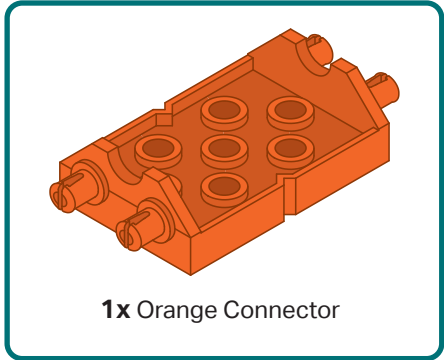
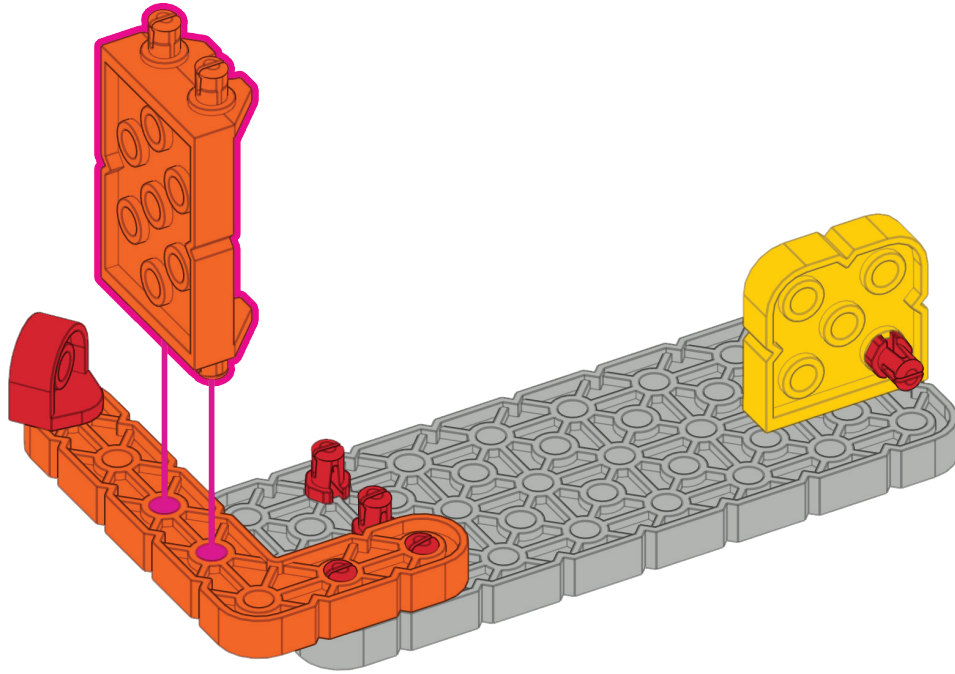
1x Yellow Connector



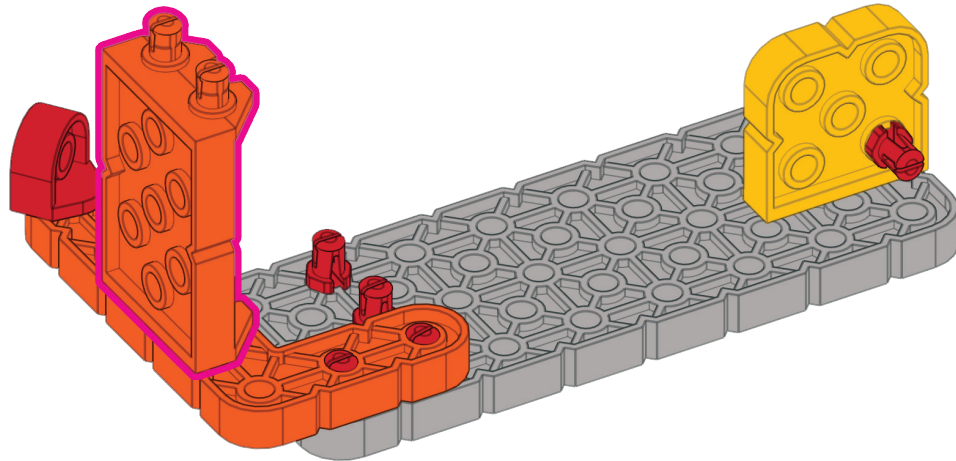


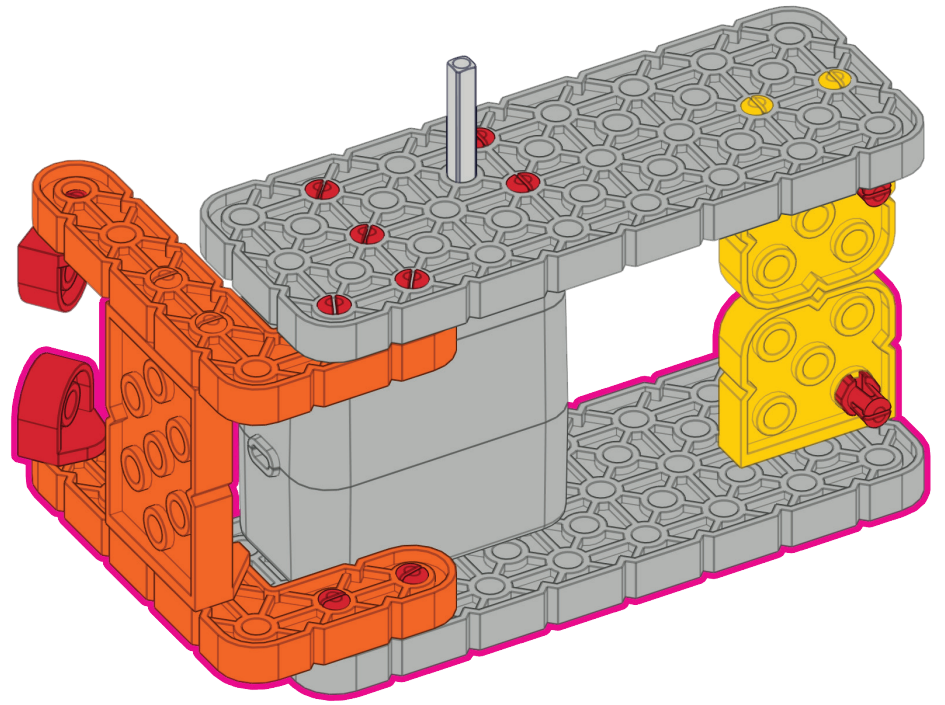
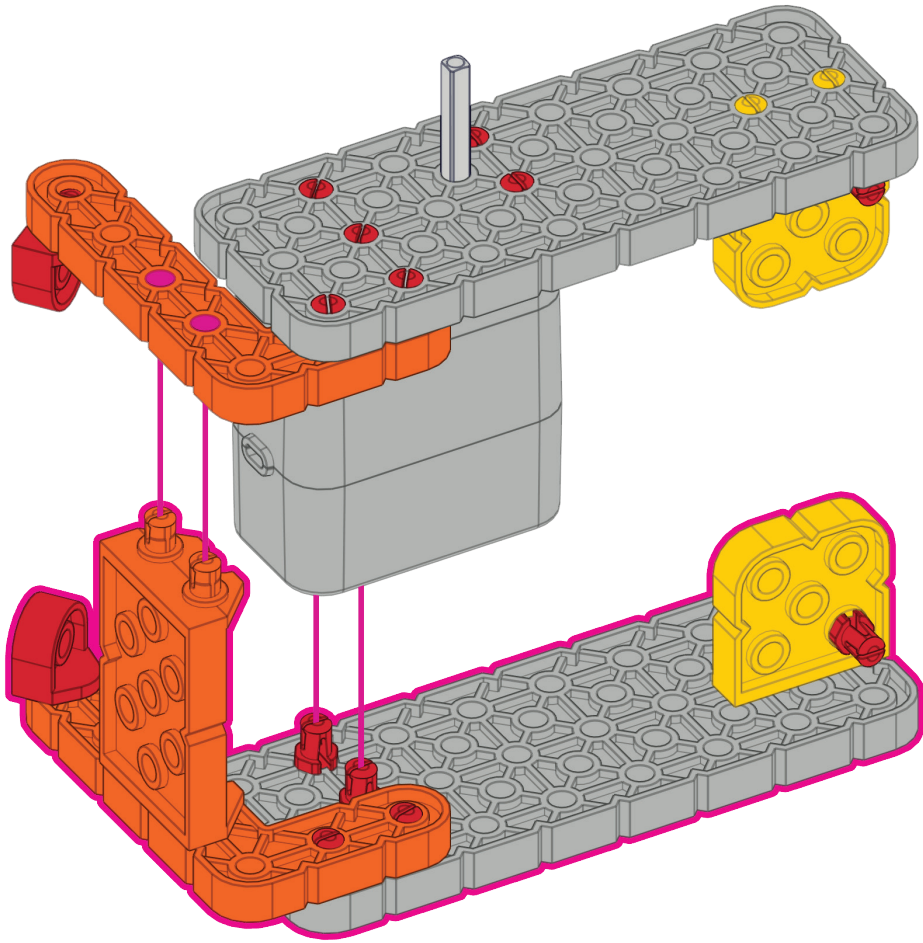
1x Red Pin

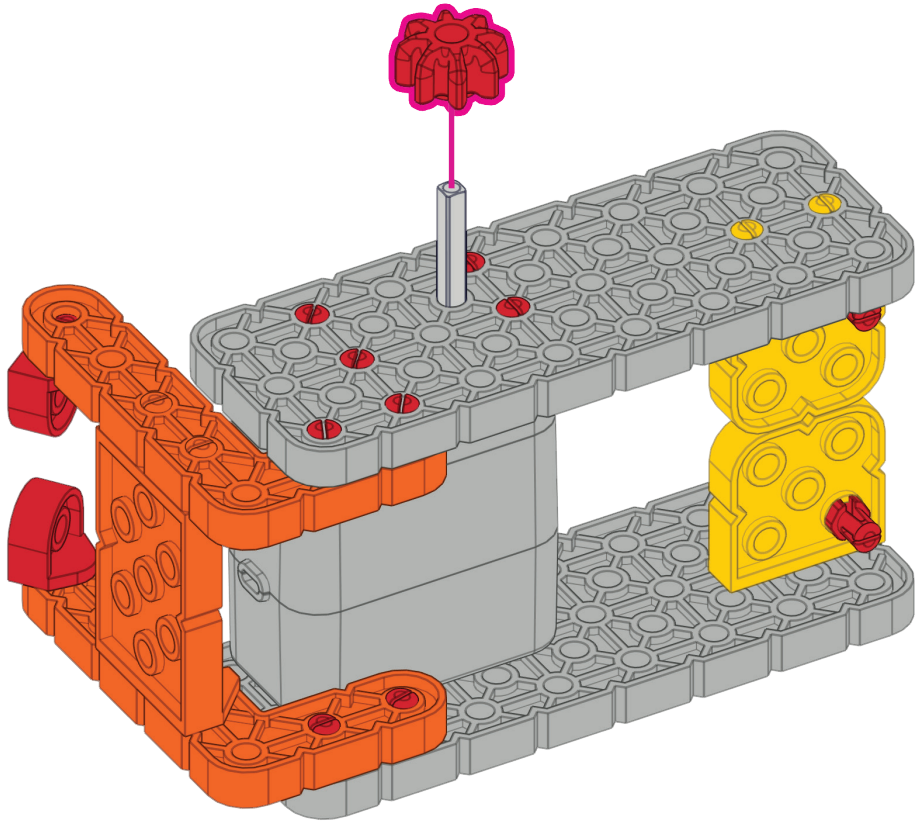




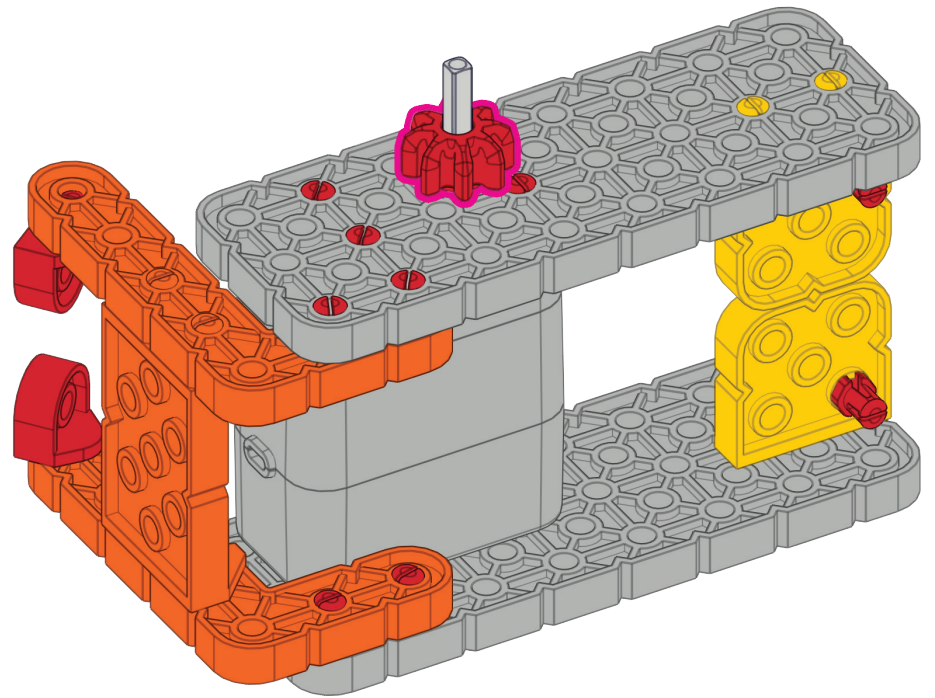
1x Orange Connector

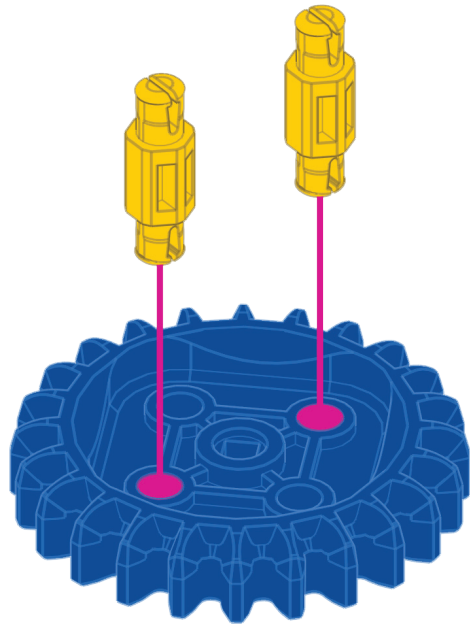


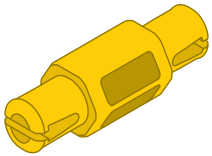
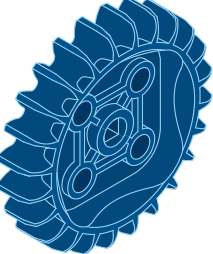


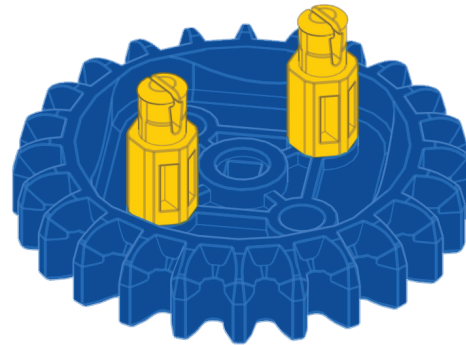


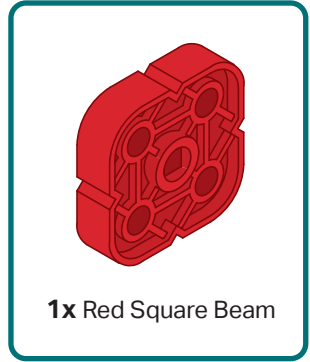
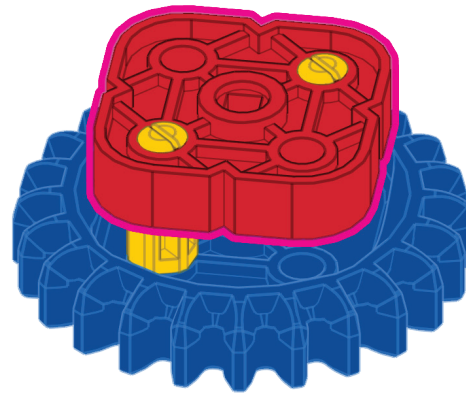
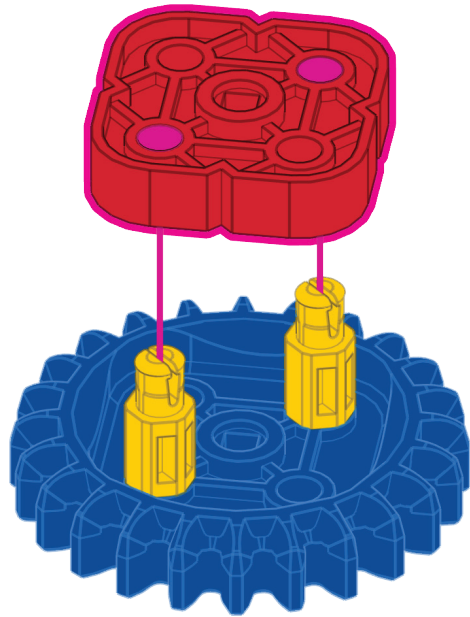
1x Red Gear



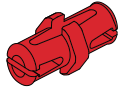
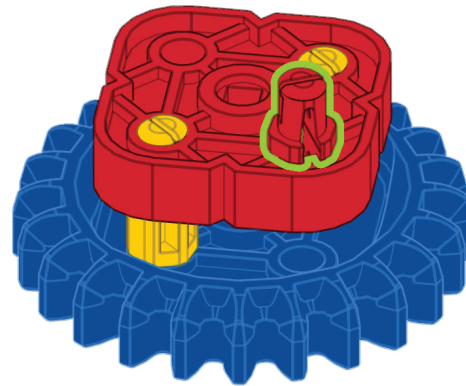
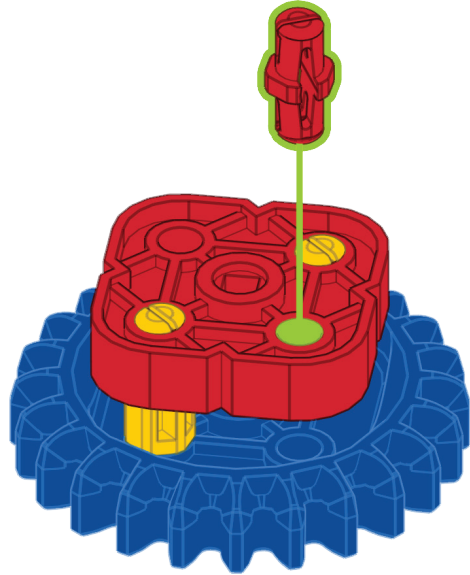


	
2x Yellow Standoff	1x Blue Gear

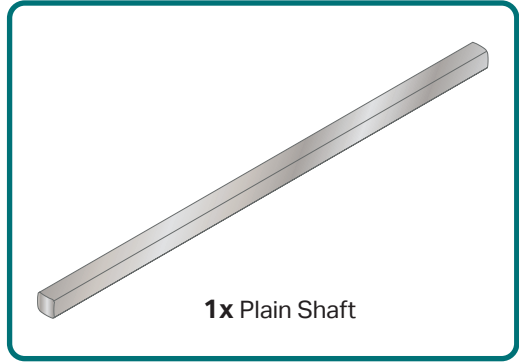
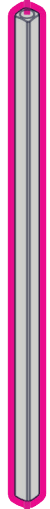
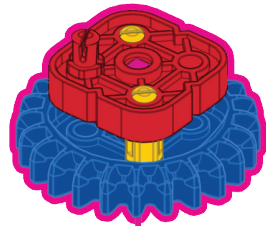




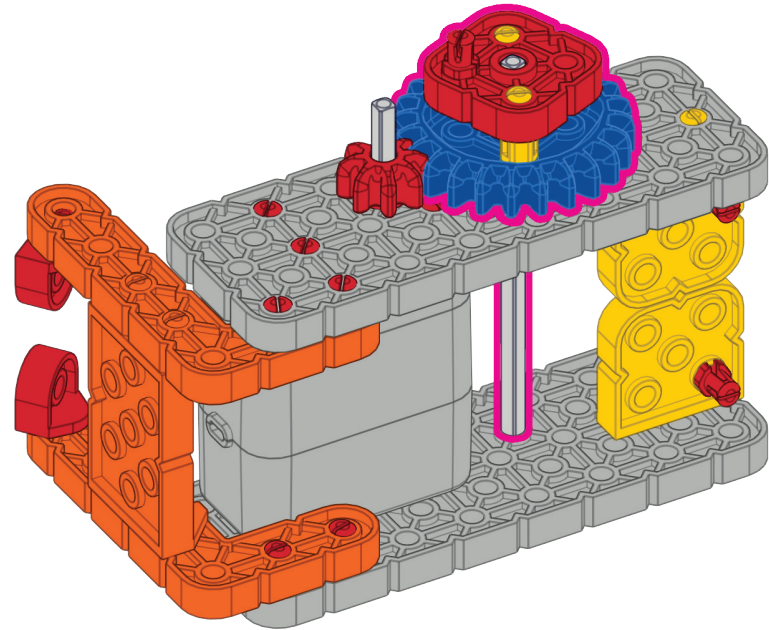
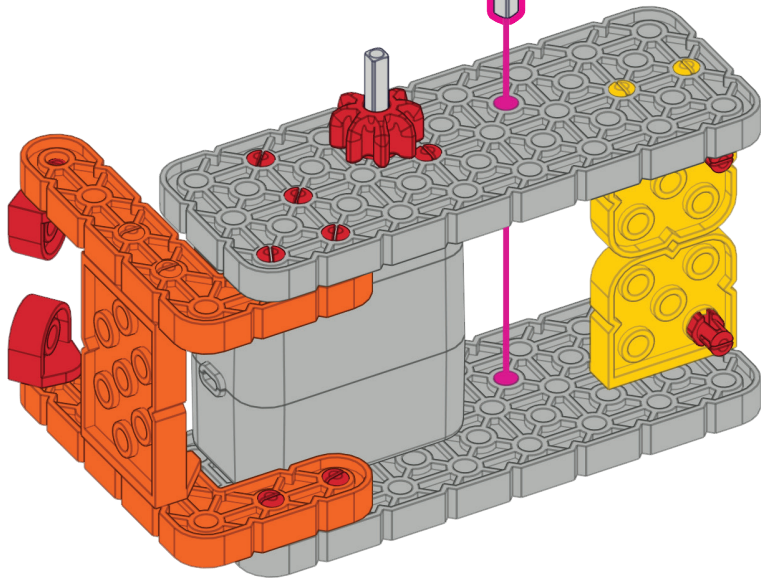
1x Red Square Beam

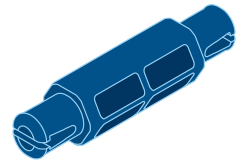
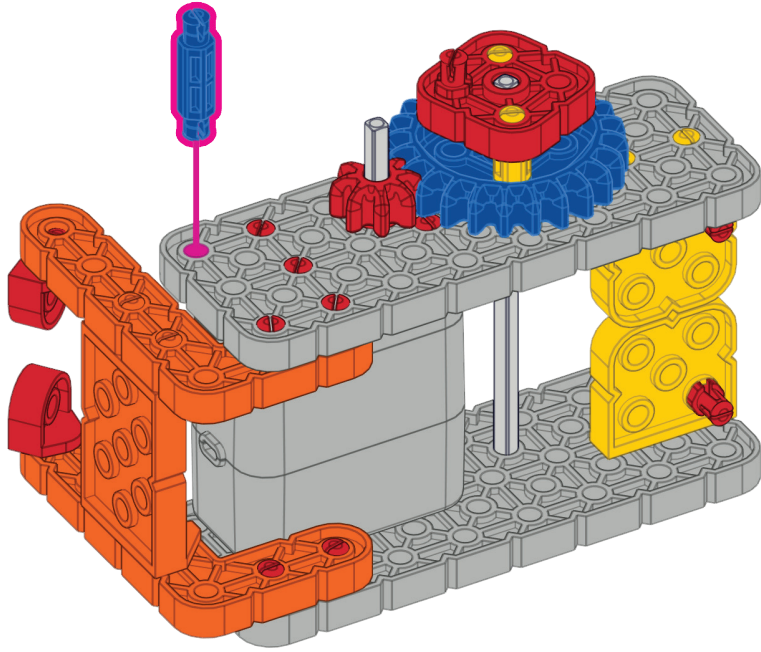


1x Red Pin

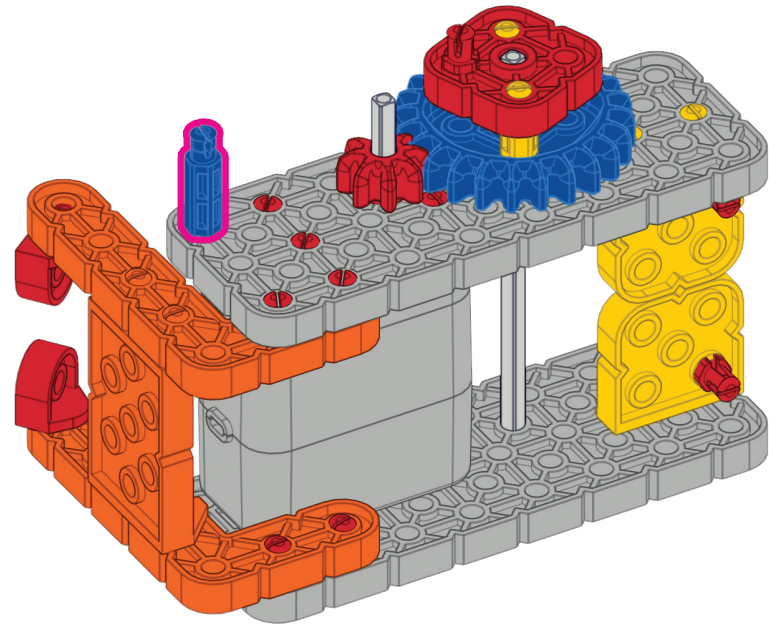


1x Plain Shaft

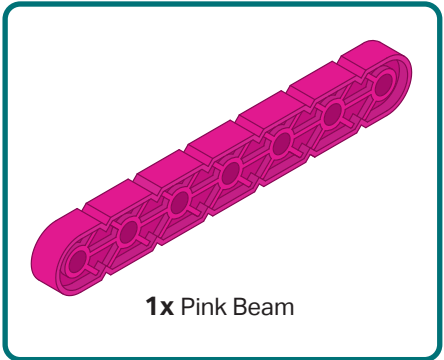
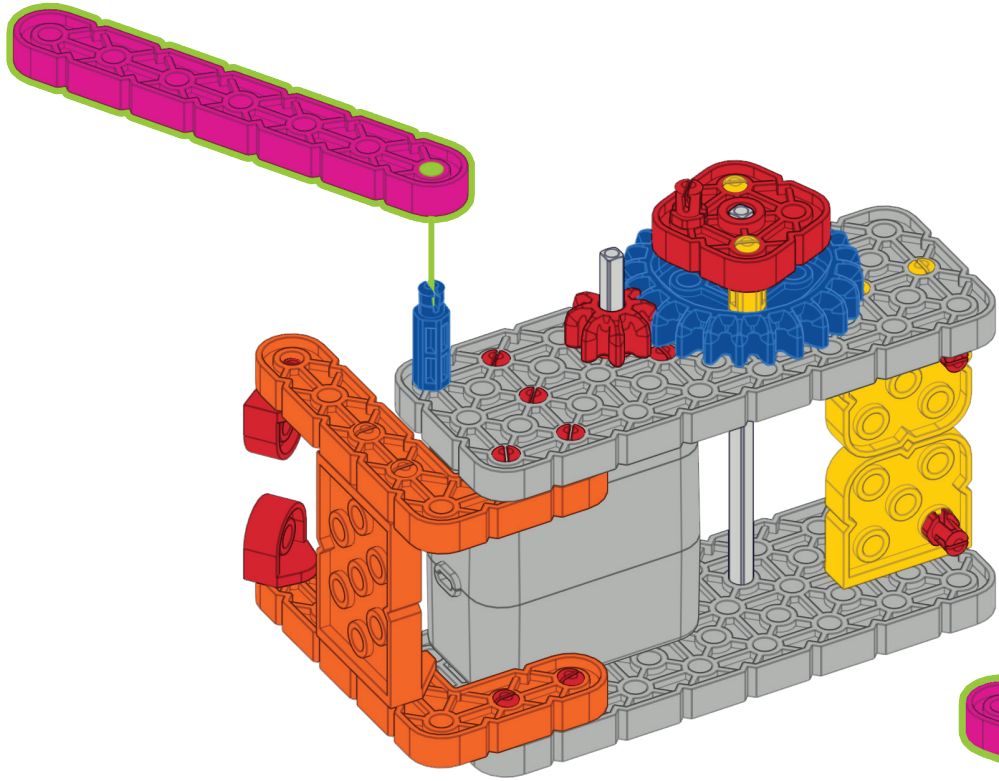




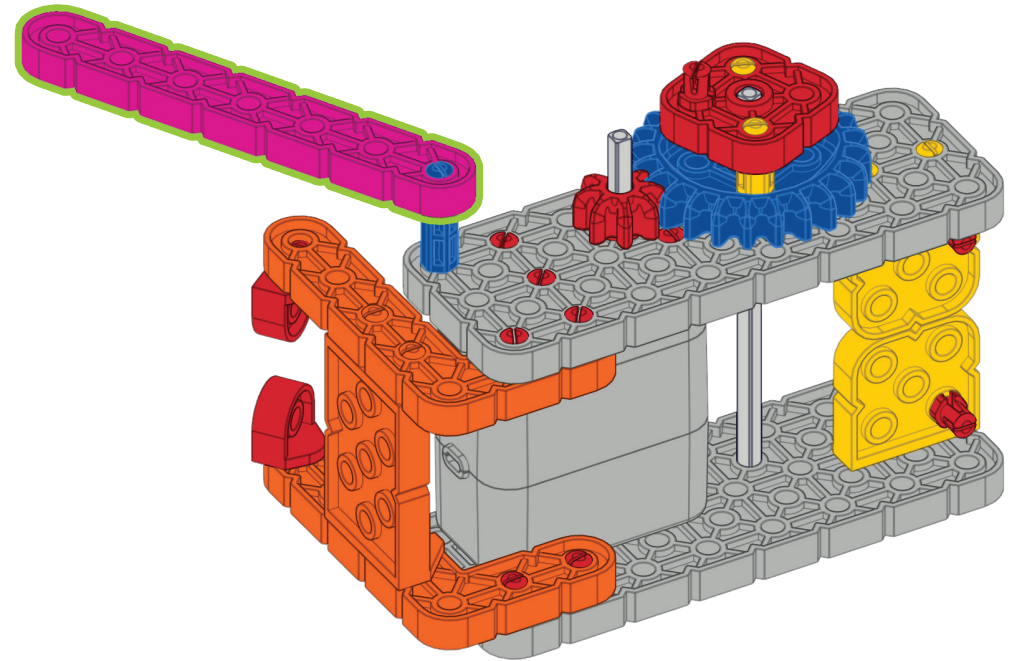
1x Blue Standoff


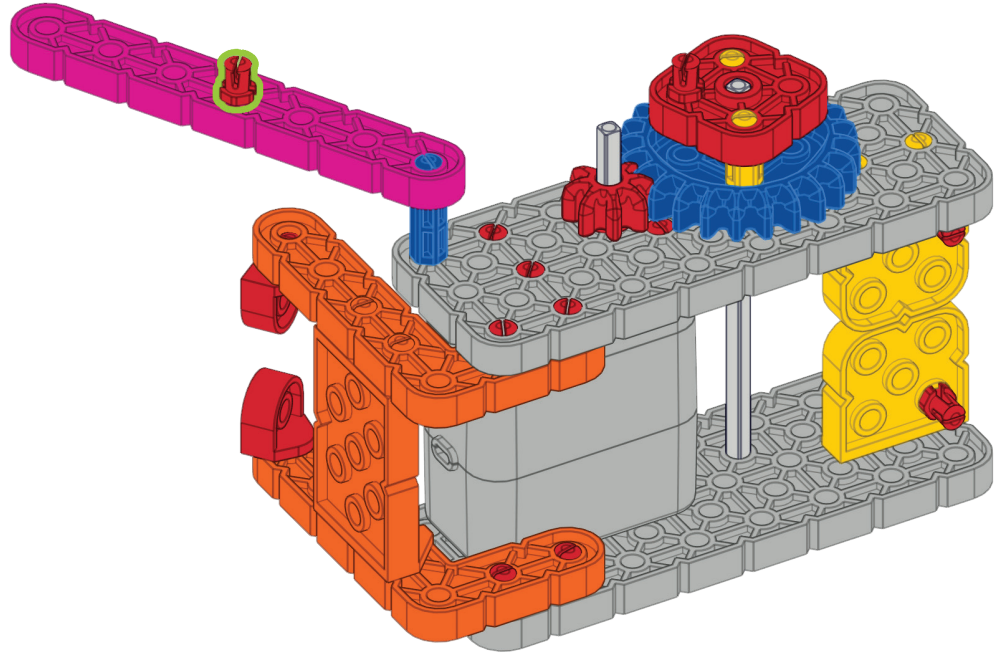
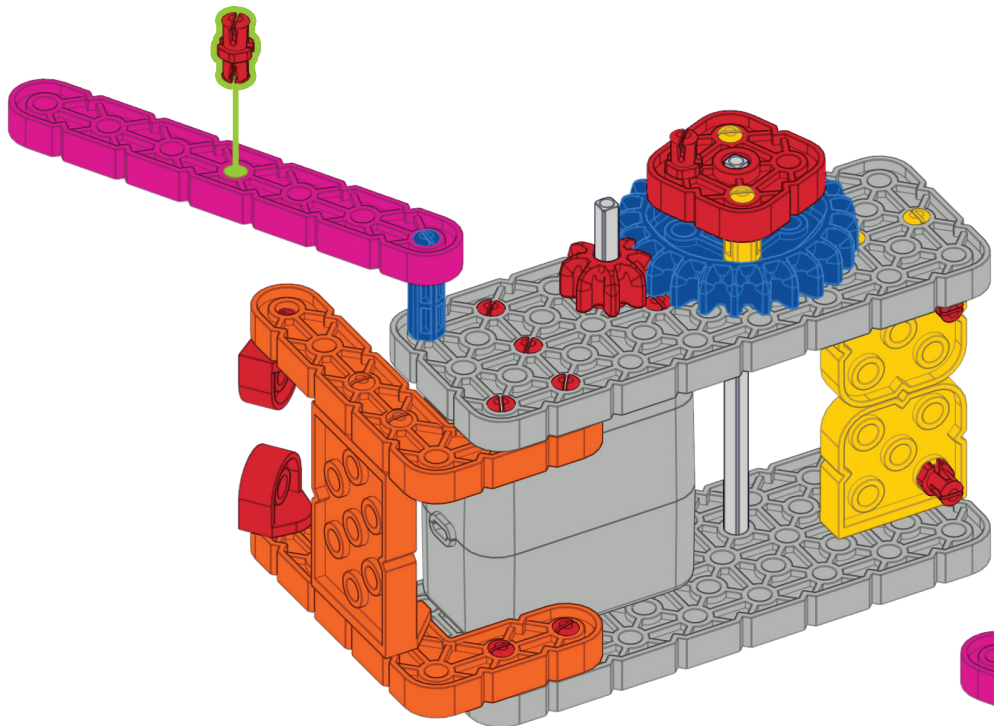
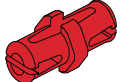


21

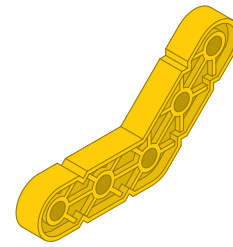


1x Pink Beam

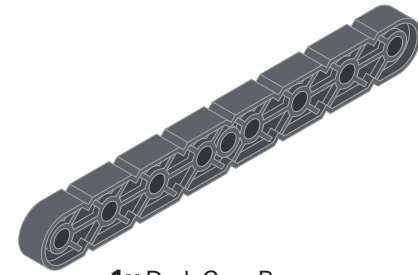


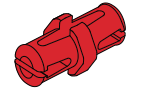
1x Red Pin



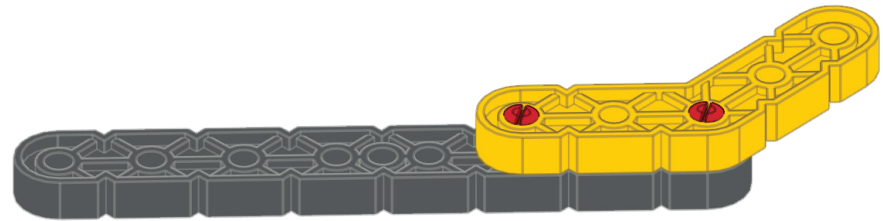
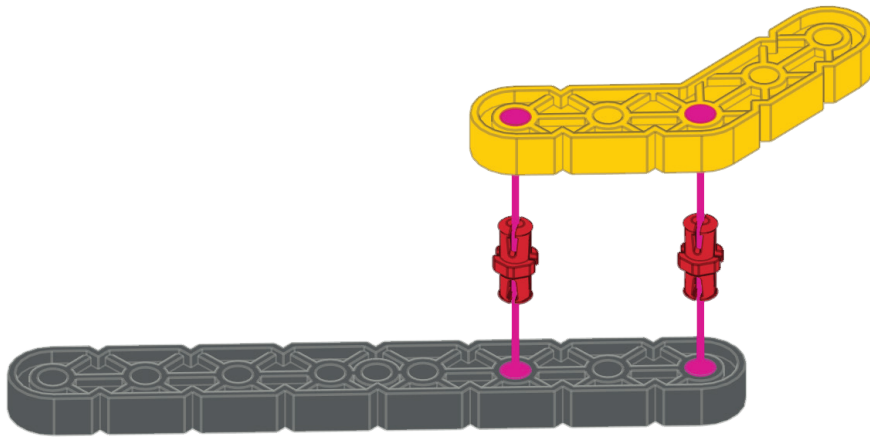
1x Yellow Angle Beam

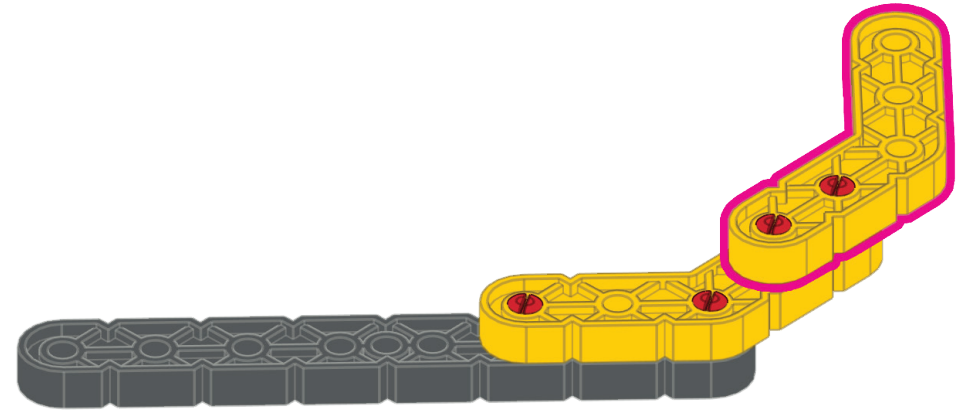
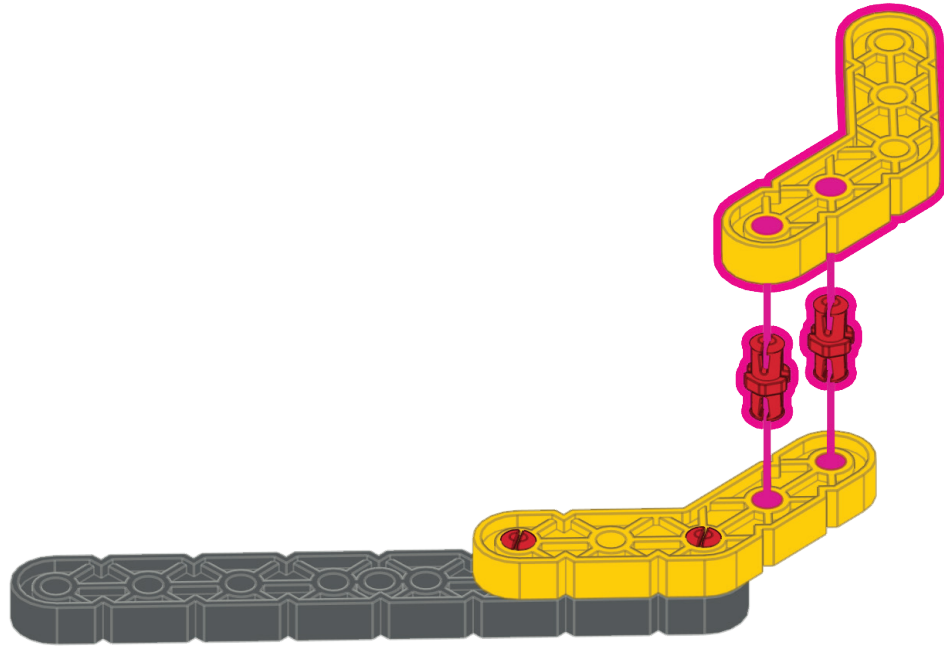


1x Dark Gray Beam

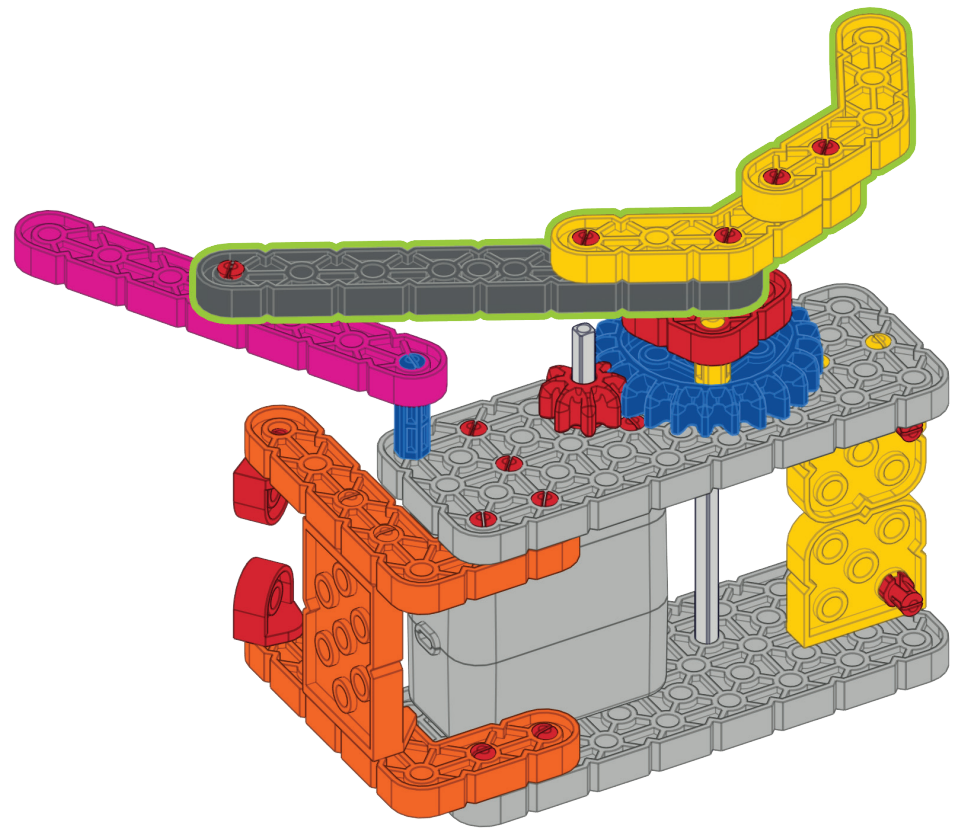
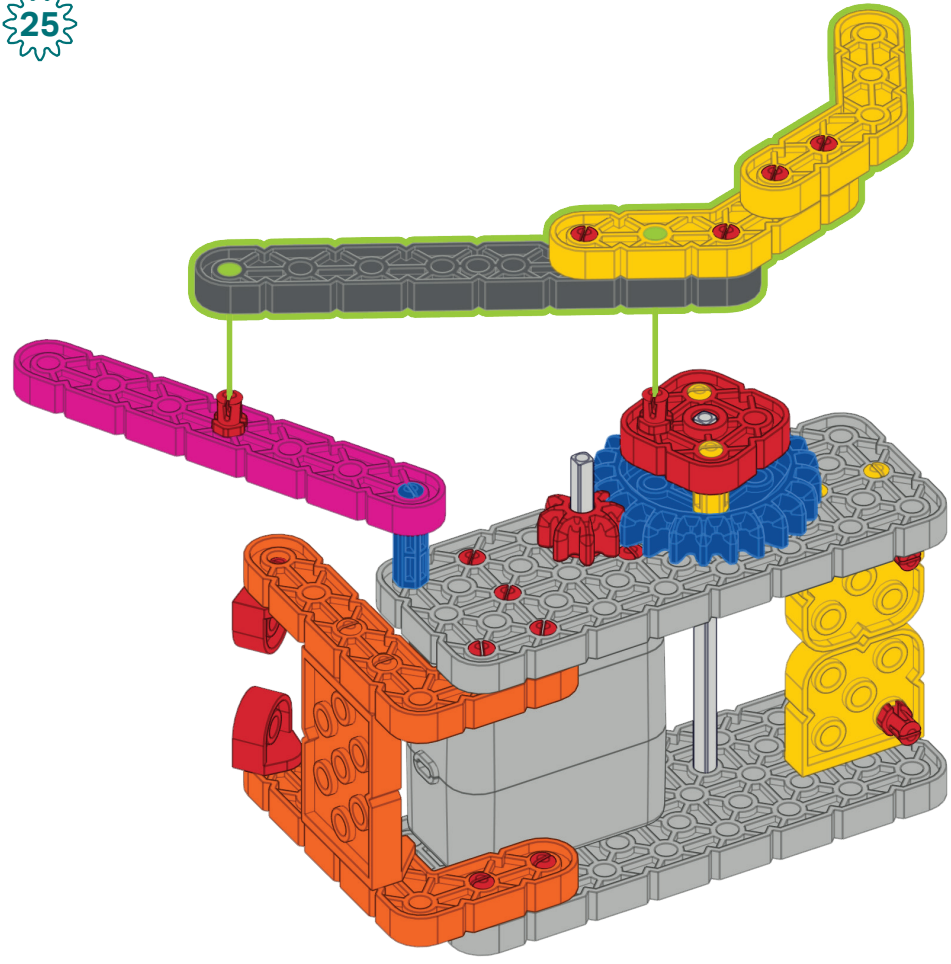


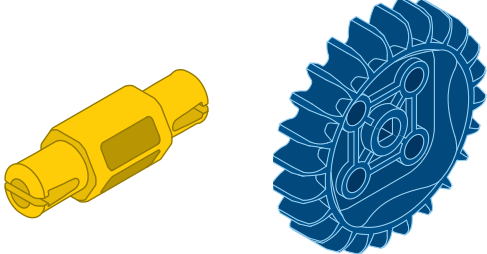
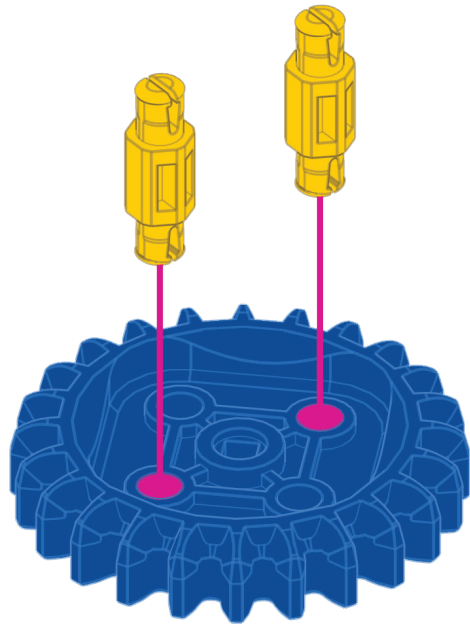
2x Red Pin



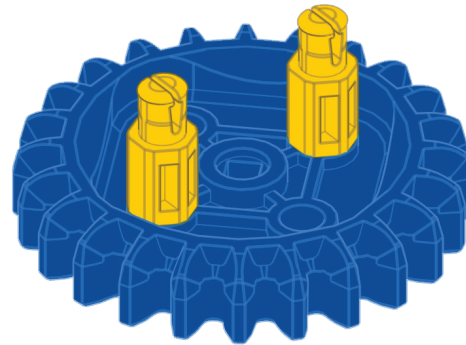


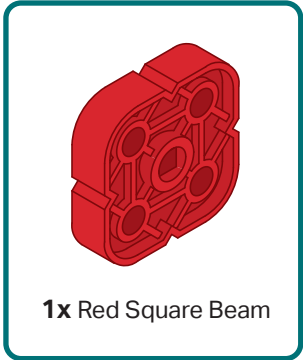
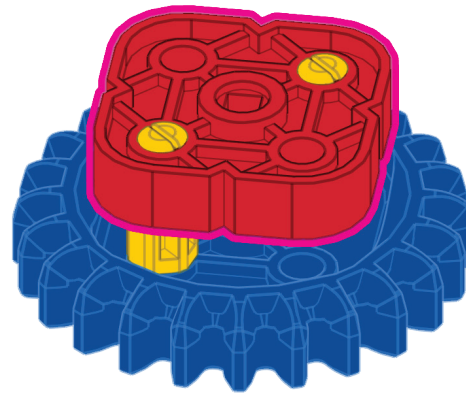
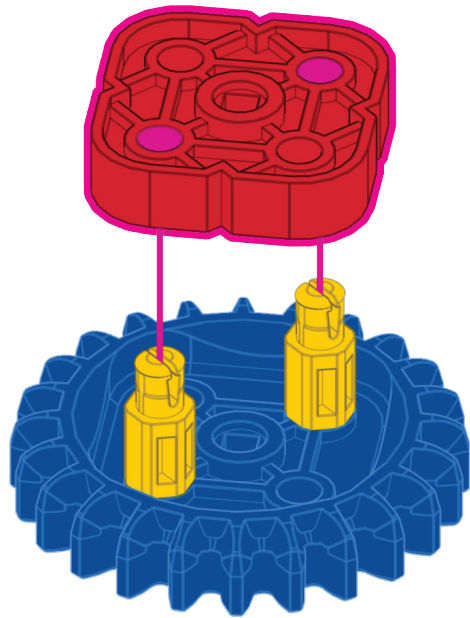
1x Yellow Angle Beam 2x Red Pin



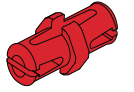
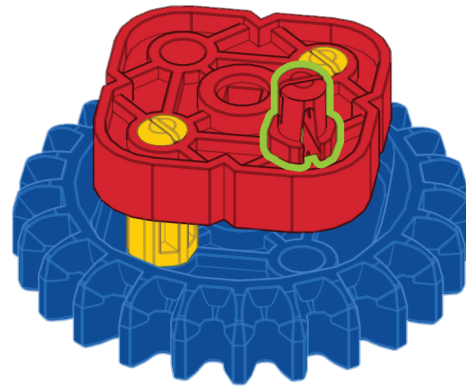
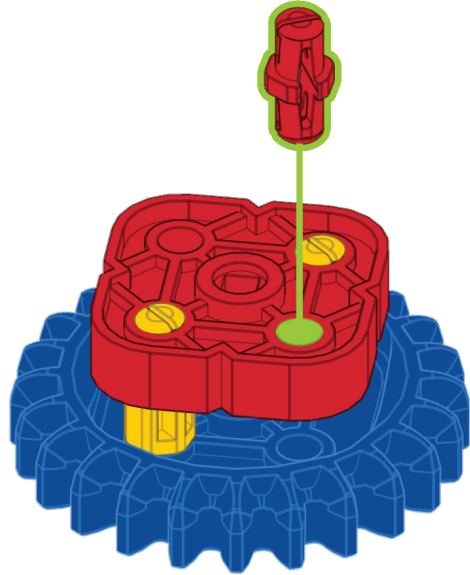


2x Yellow Standoff **1x** Blue Gear

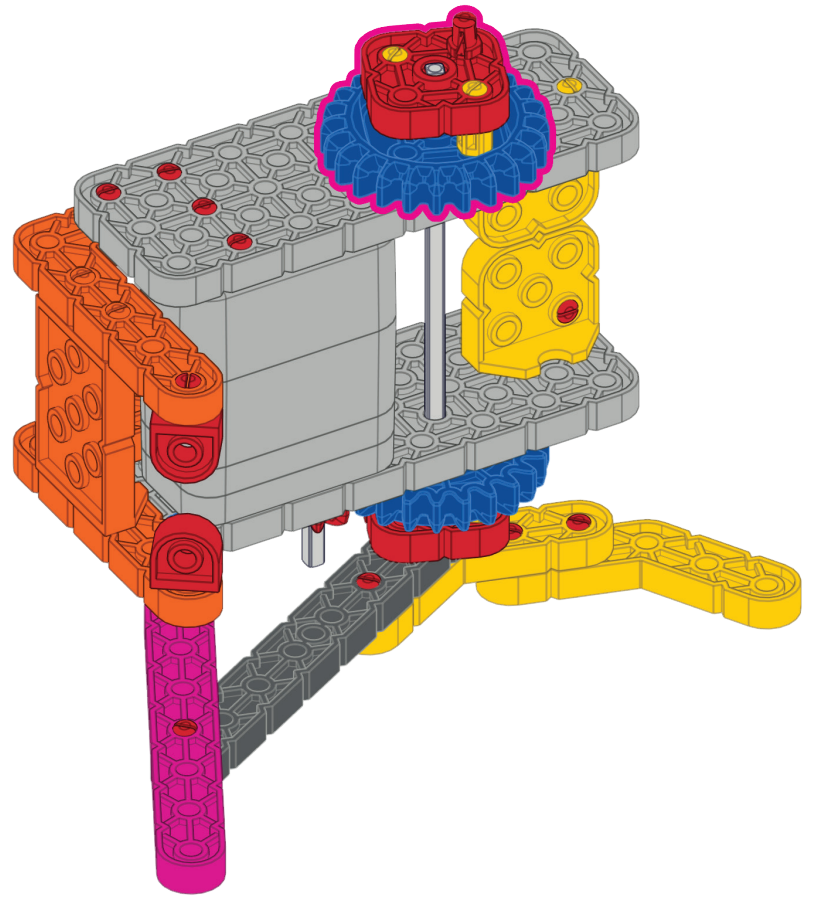
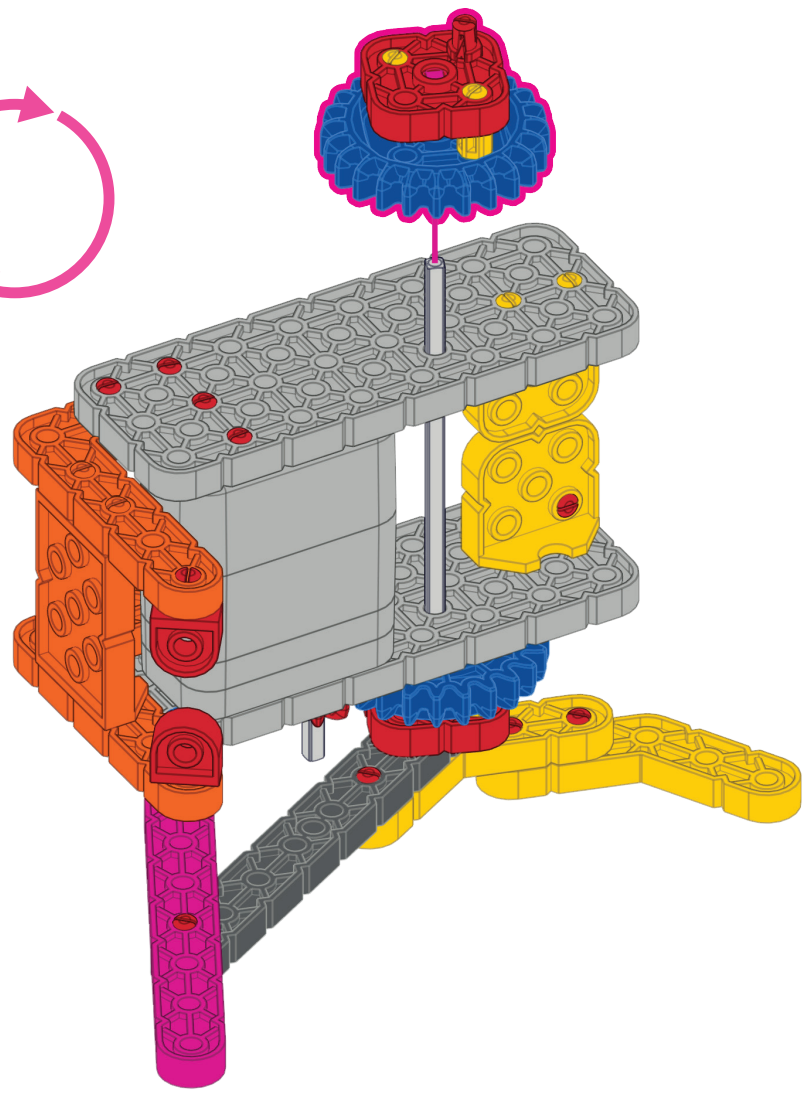
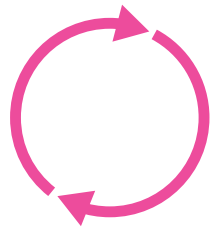


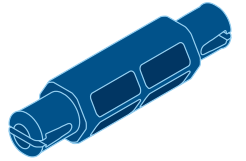
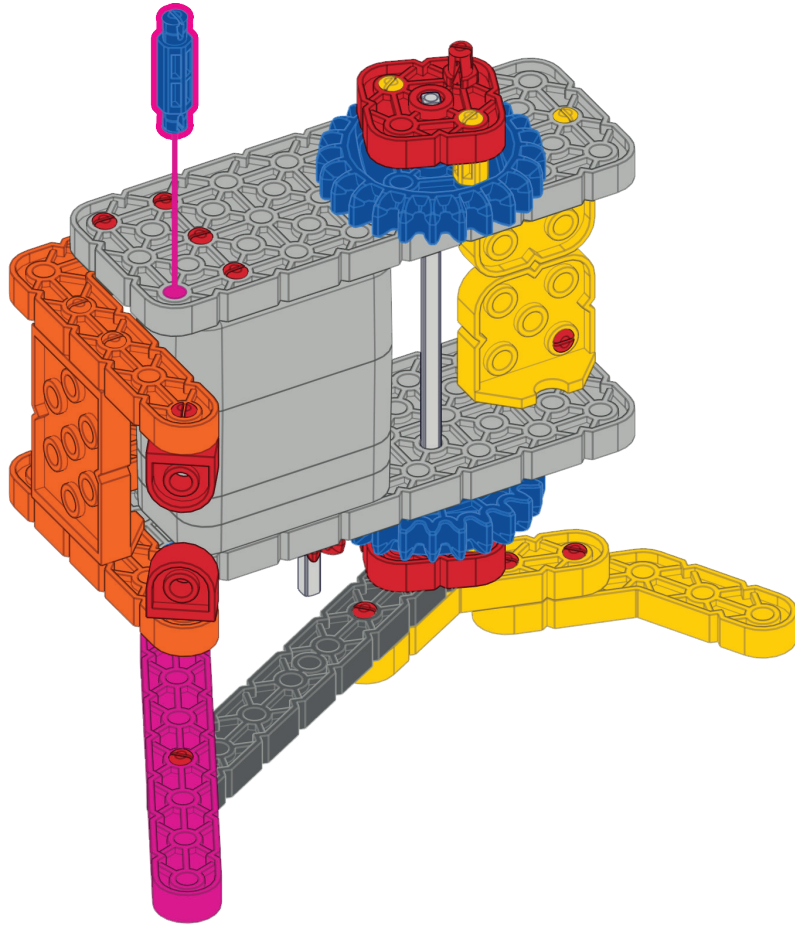


1x Red Square Beam

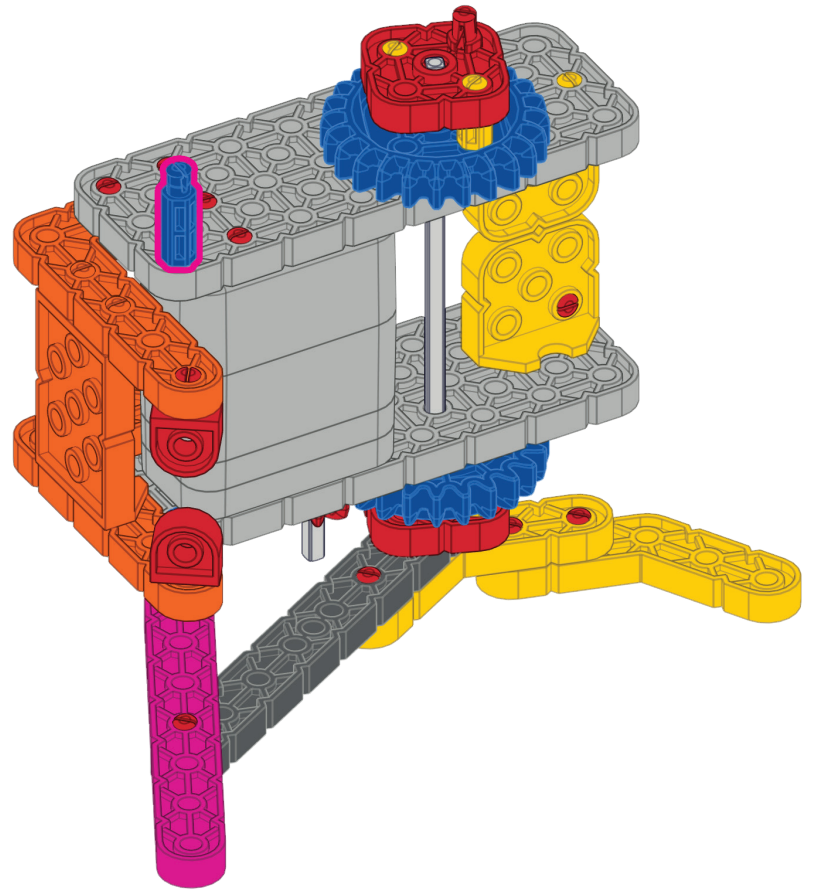


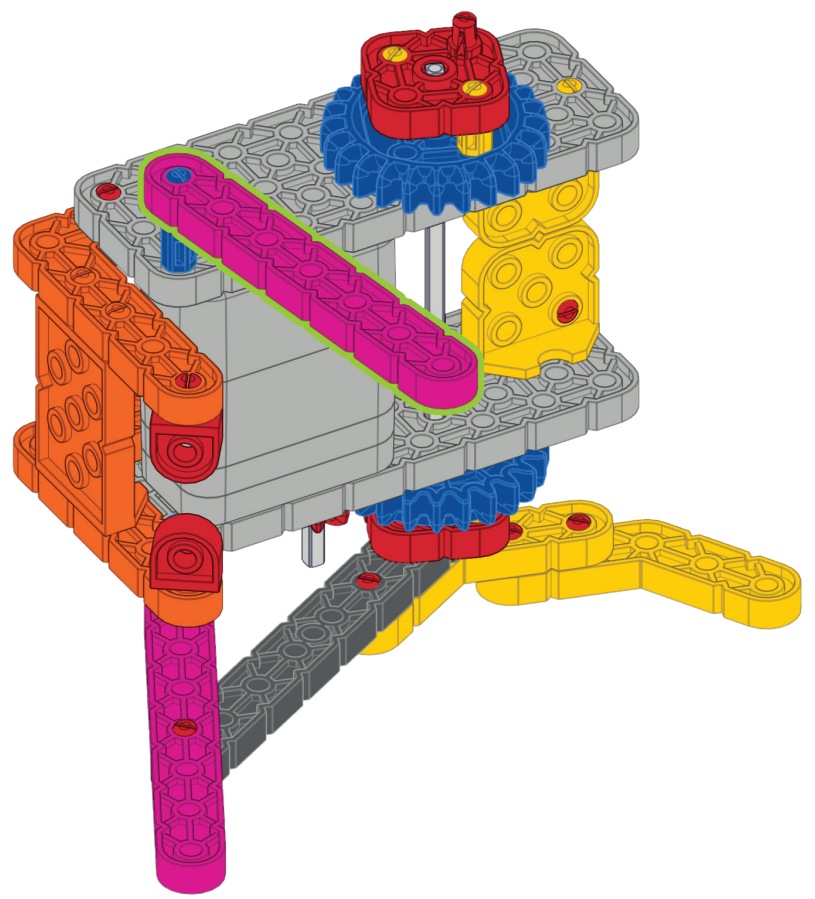
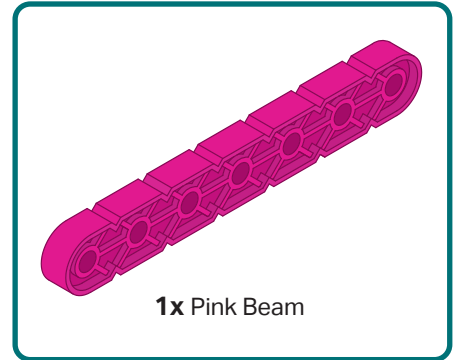
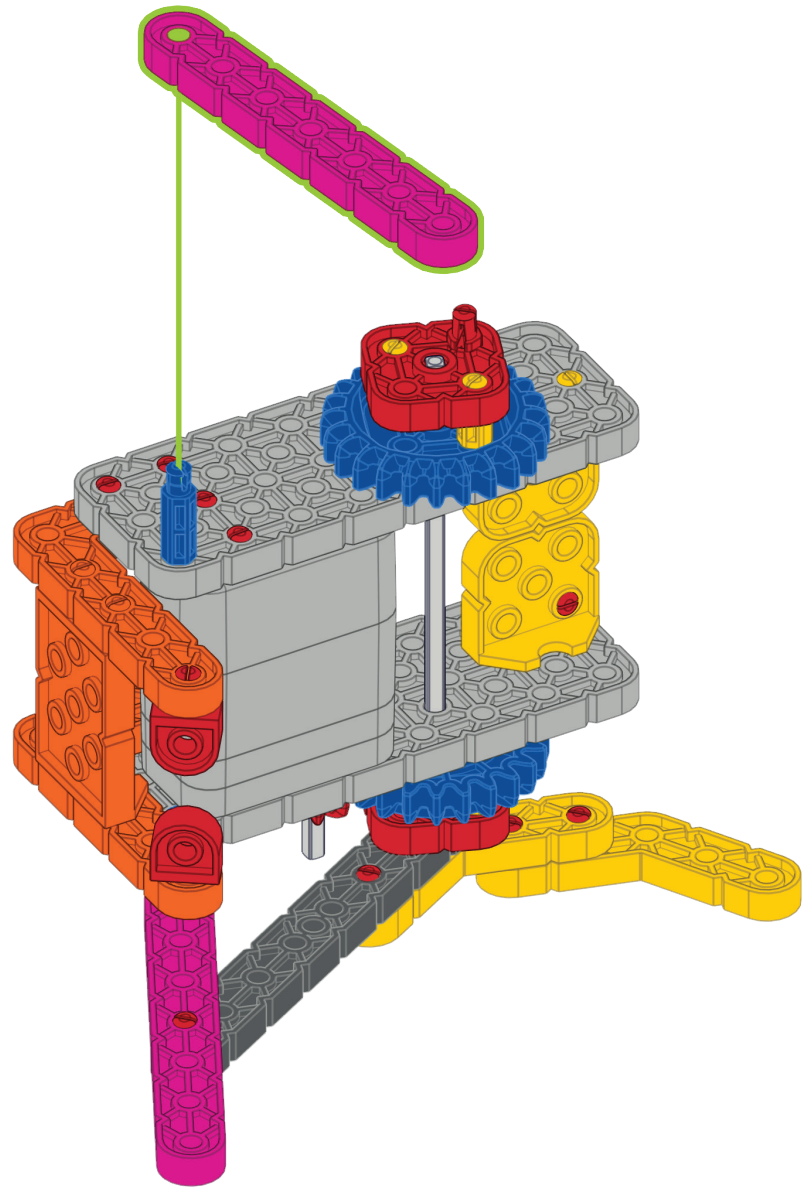
1x Red Pin

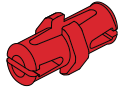
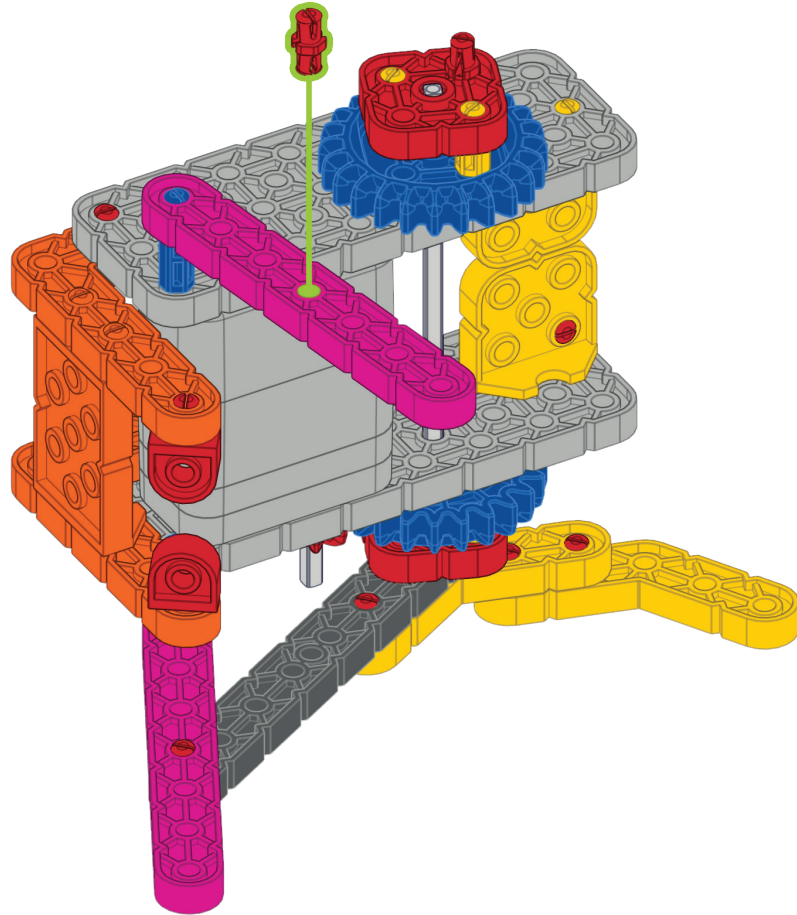




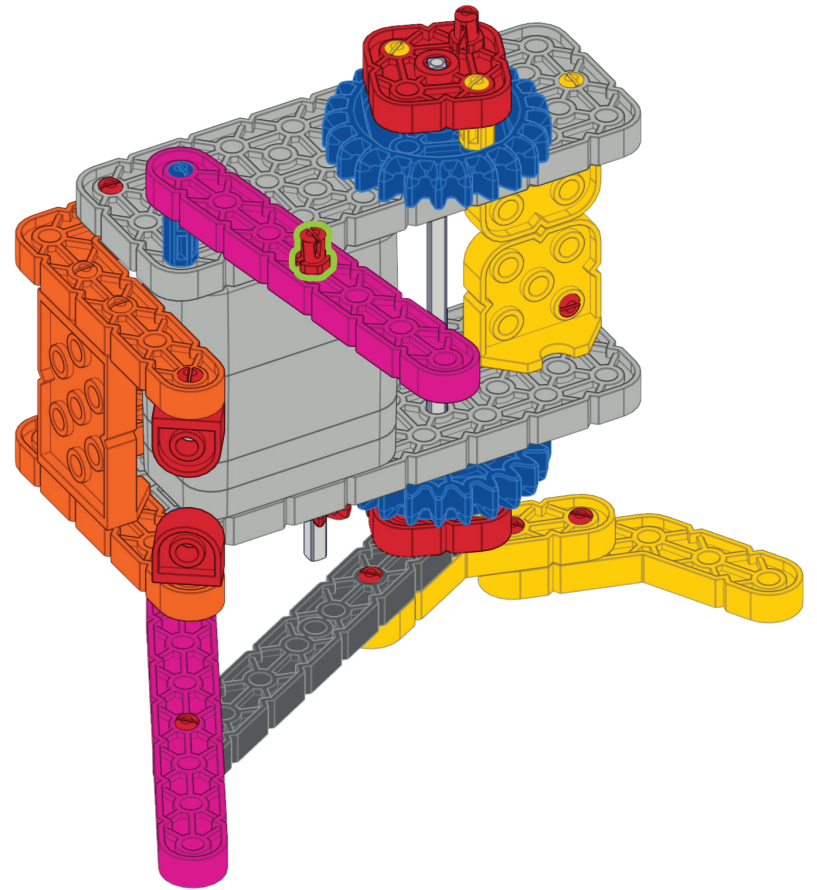
1x Blue Standoff

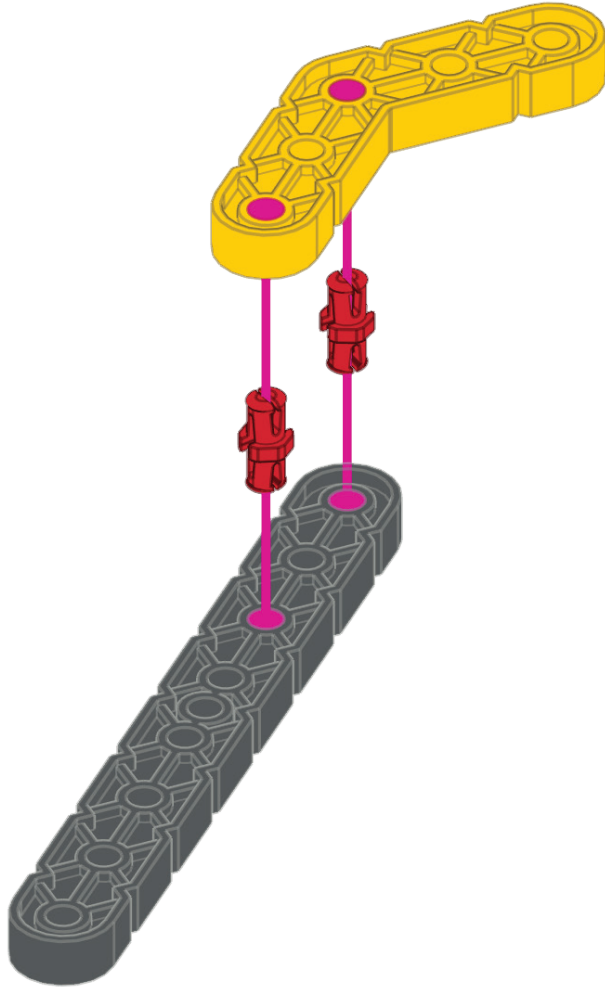


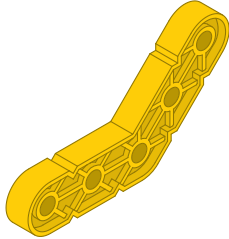
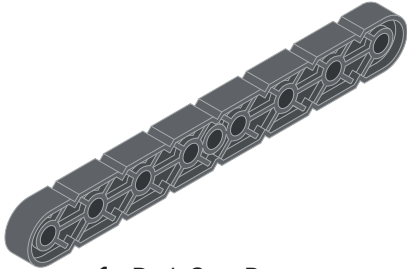

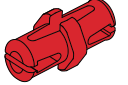


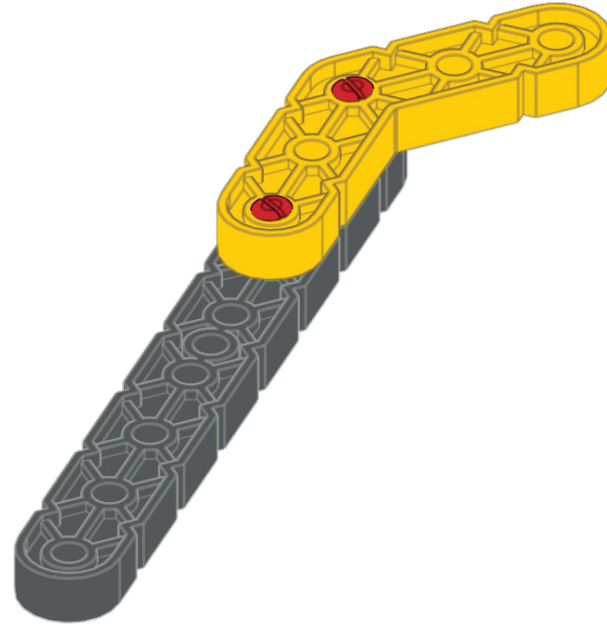


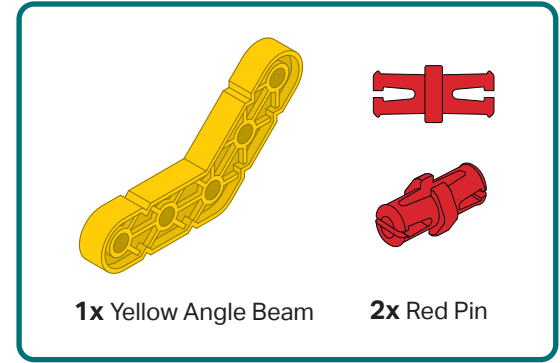
1x Red Pin





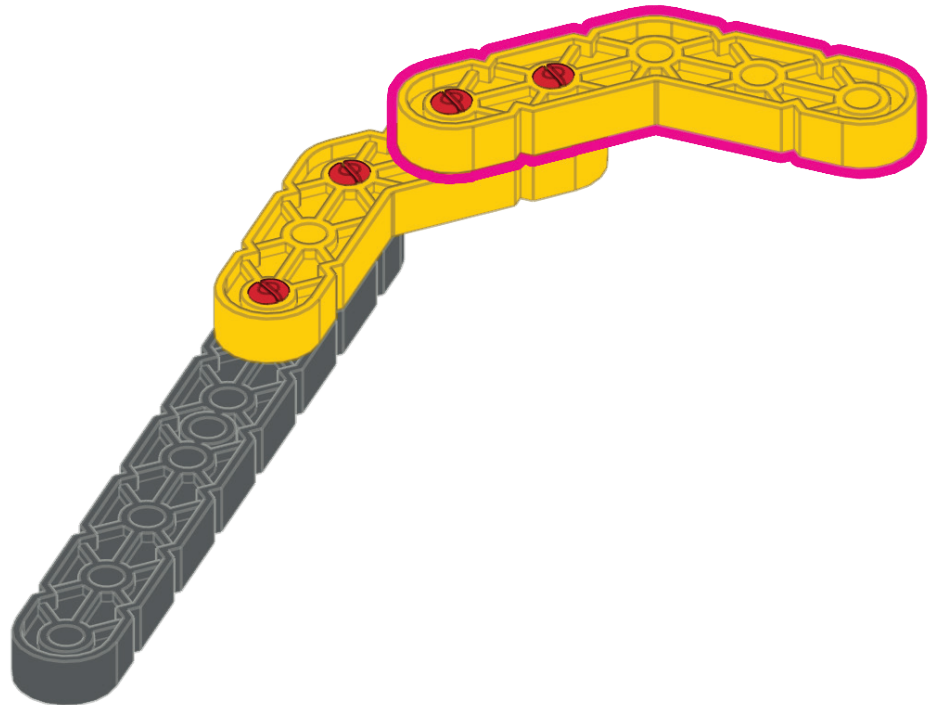
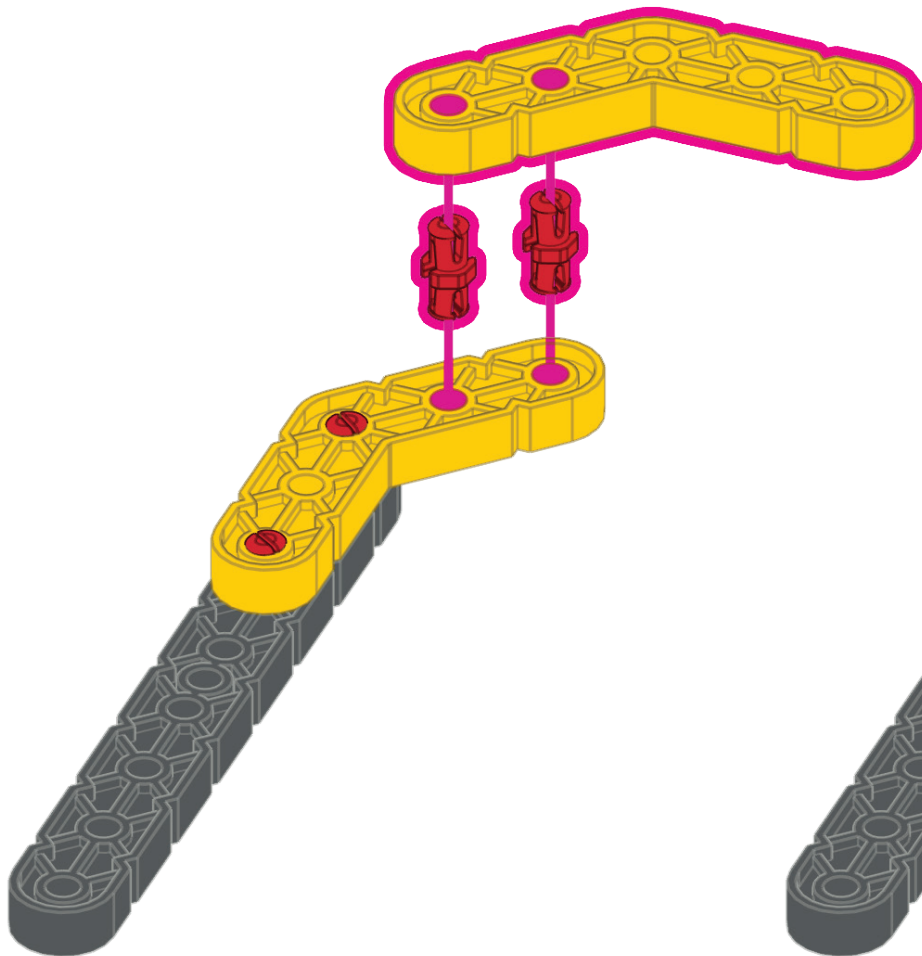
		
		
1x Yellow Angle Beam	1x Dark Gray Beam	2x Red Pin

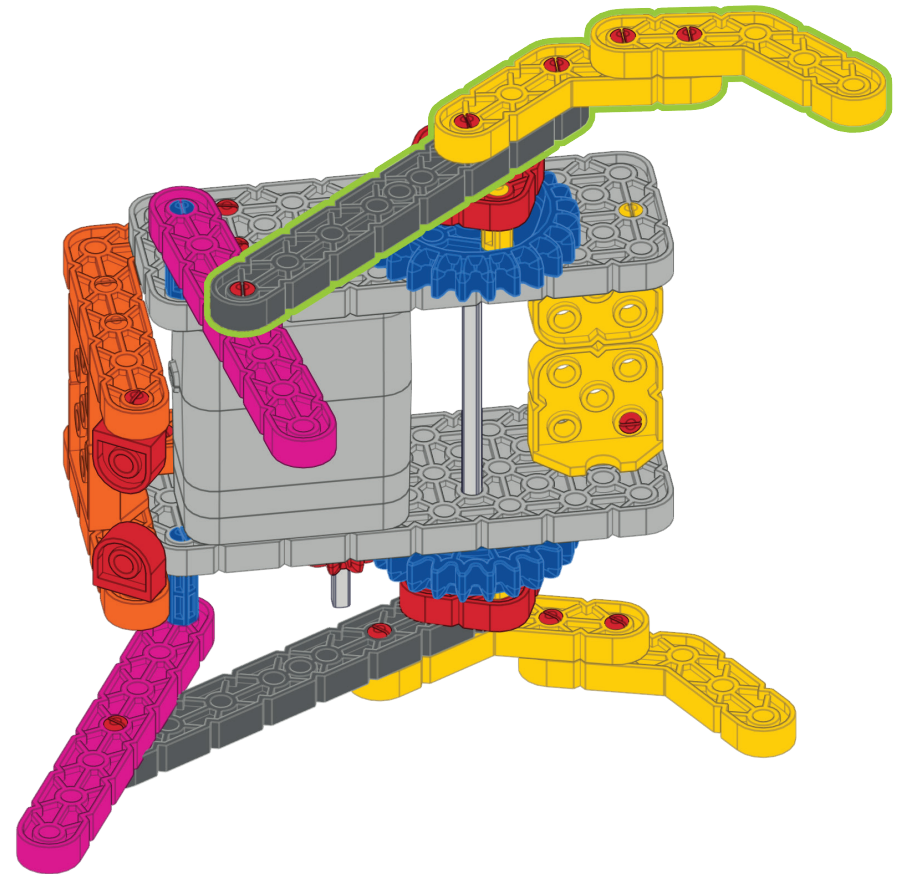
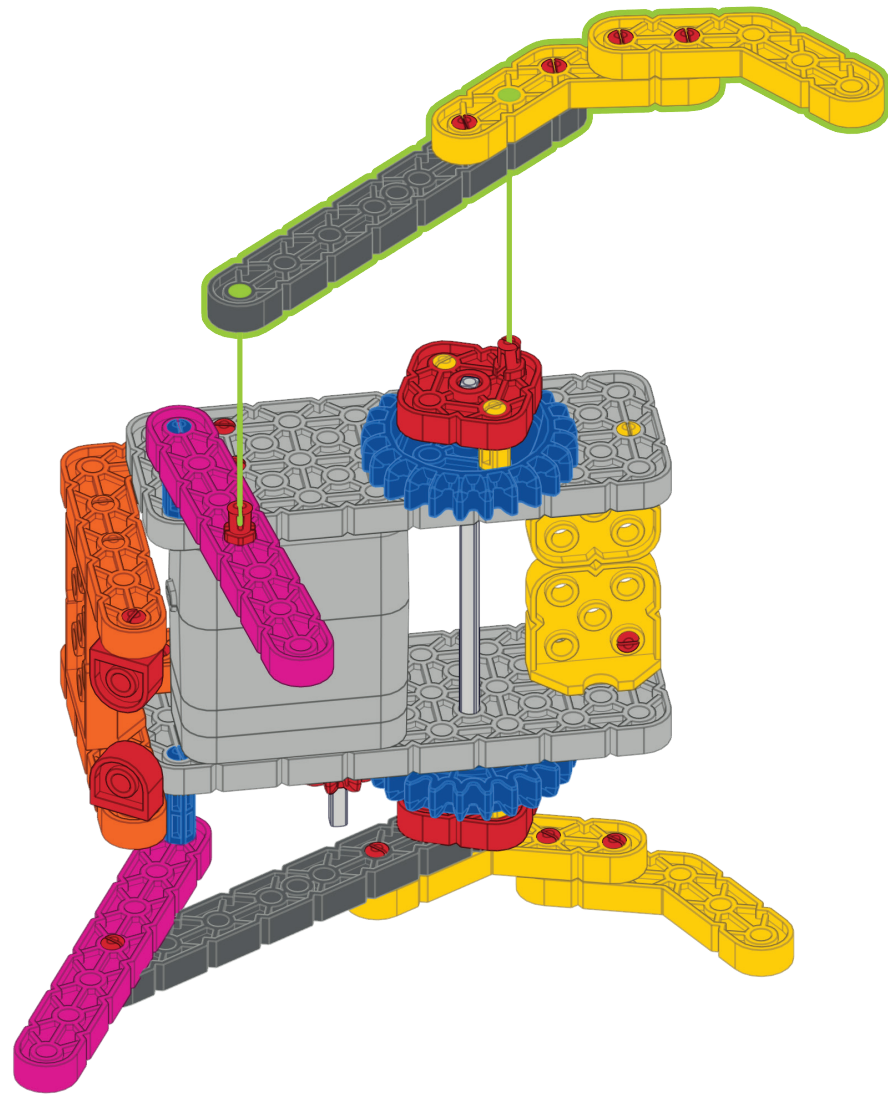


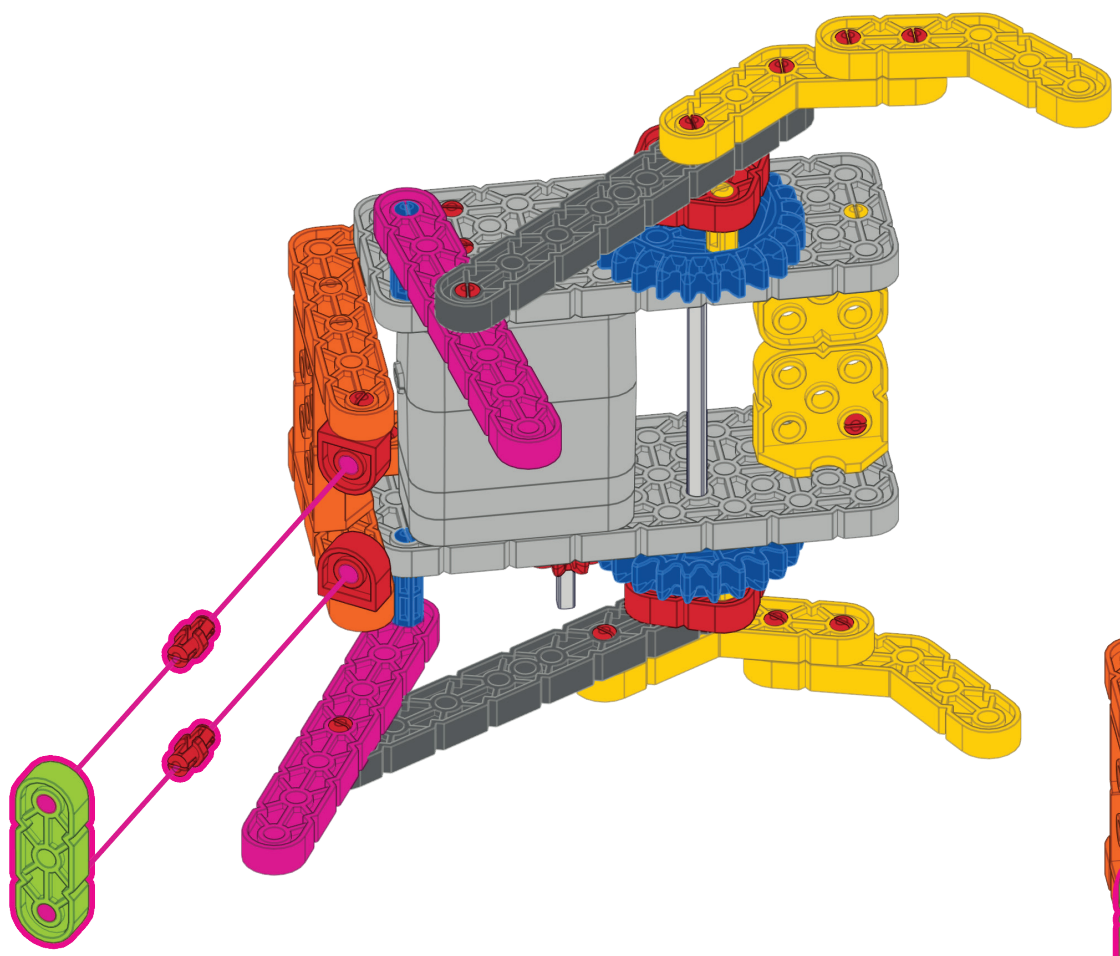


1x Yellow Angle Beam 2x Red Pin

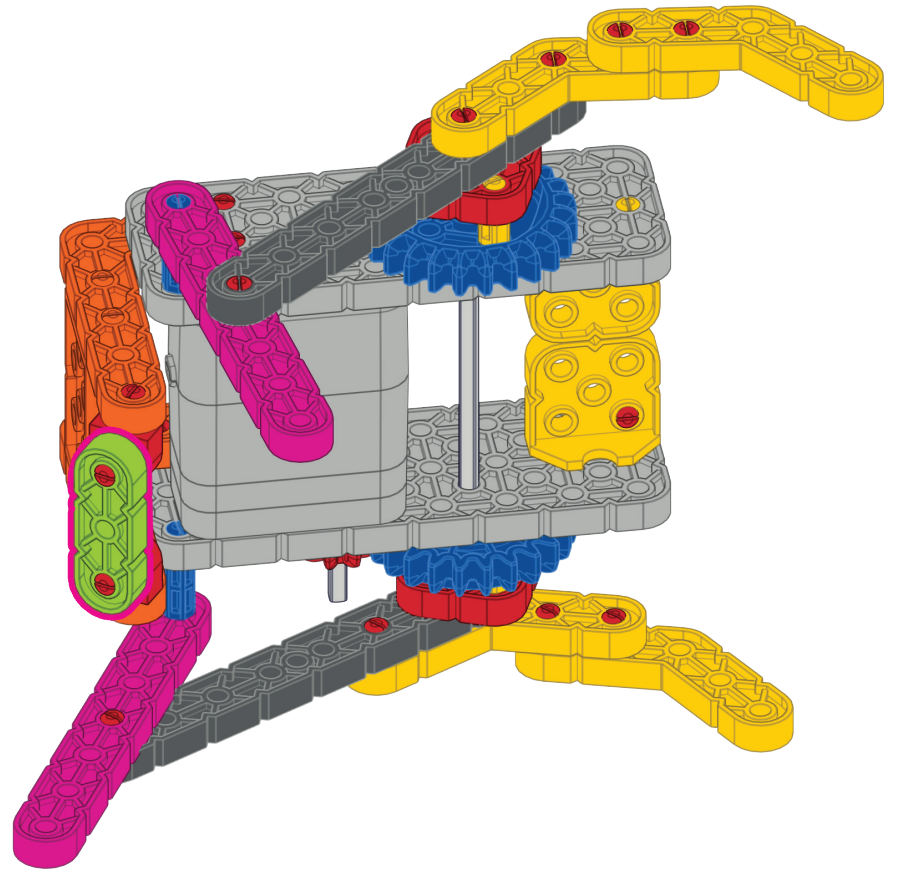
This block contains a parts list and a small inset image. The inset image shows a yellow L-shaped beam and two red pins. The parts list below it specifies '1x Yellow Angle Beam' and '2x Red Pin'.

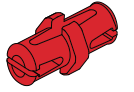
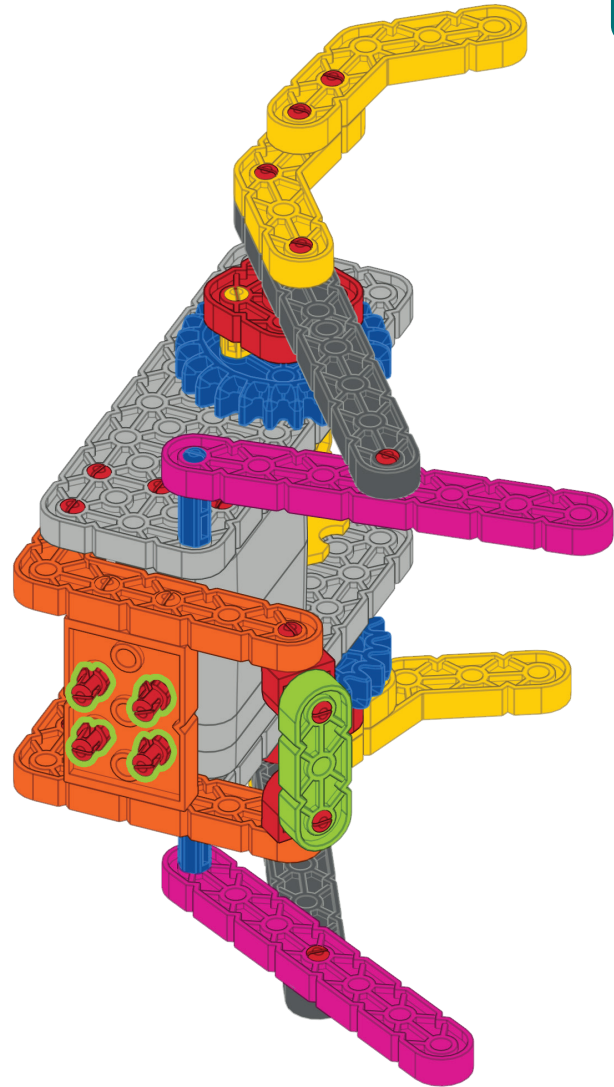
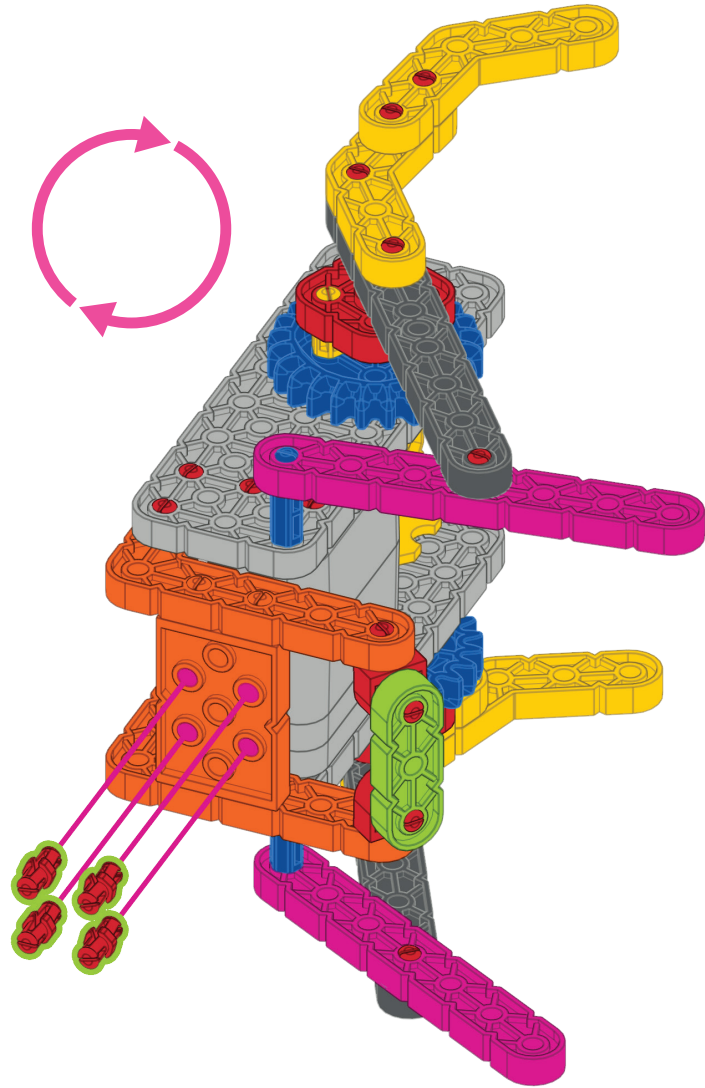




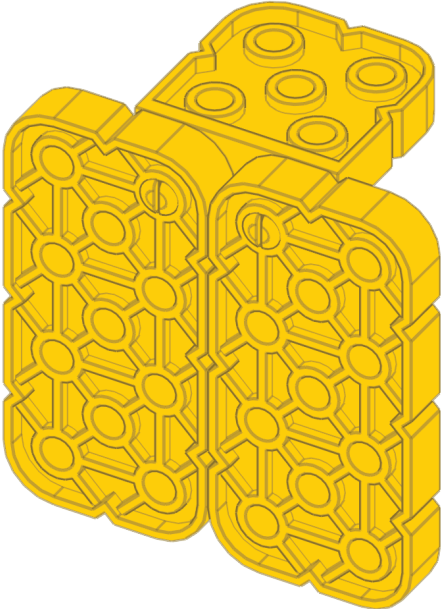
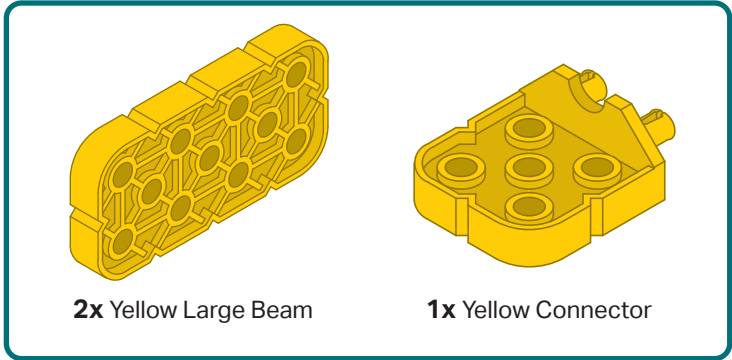
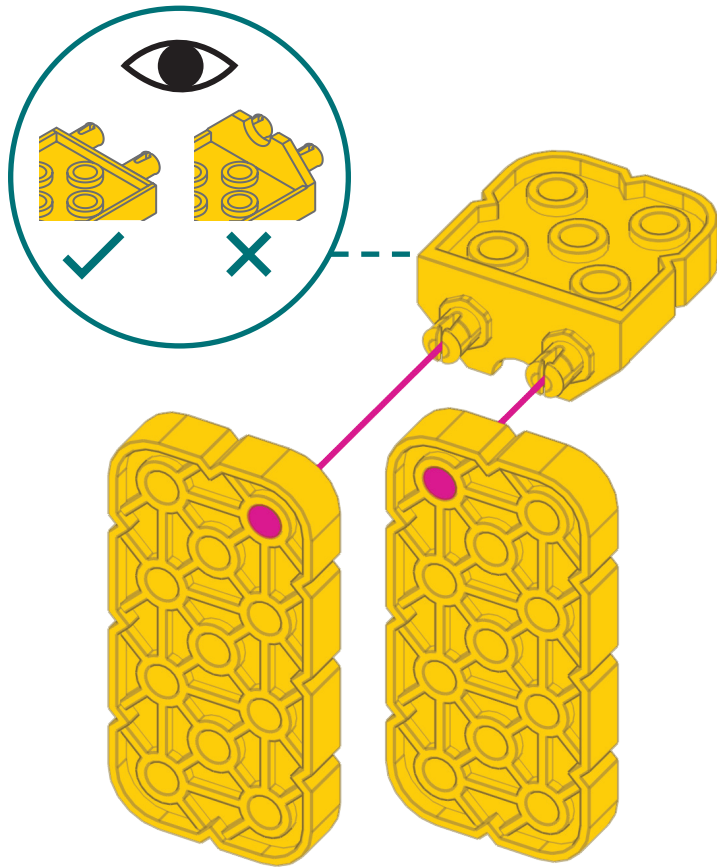


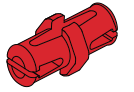
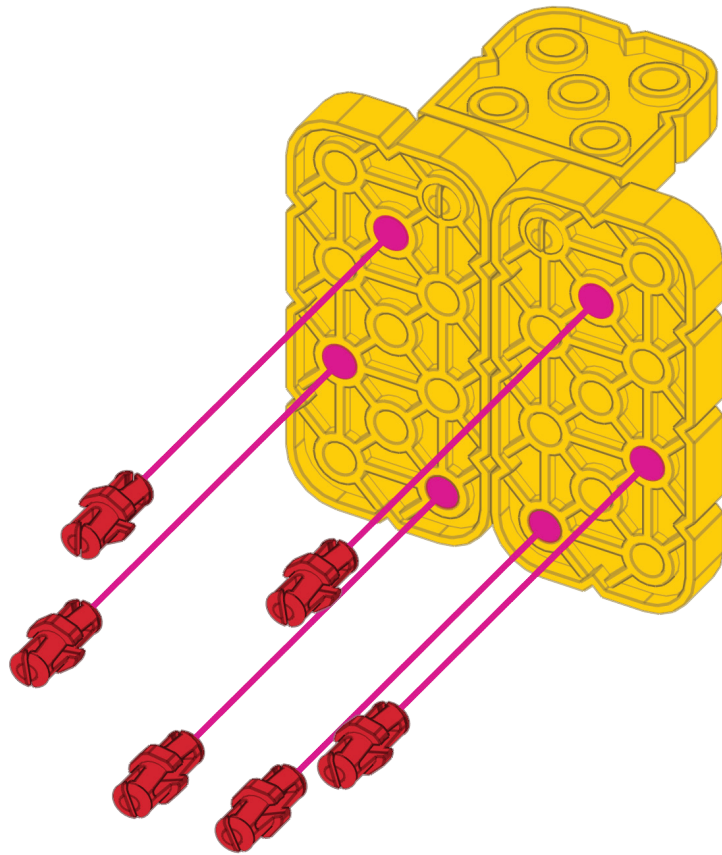
1x Yellow Angle Beam 2x Red Pin



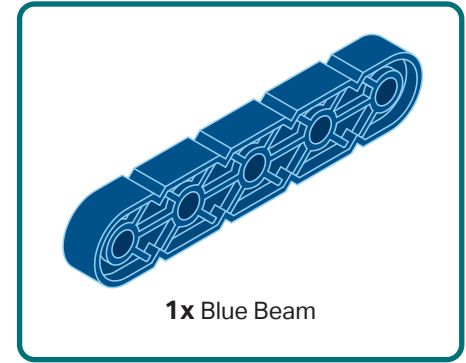
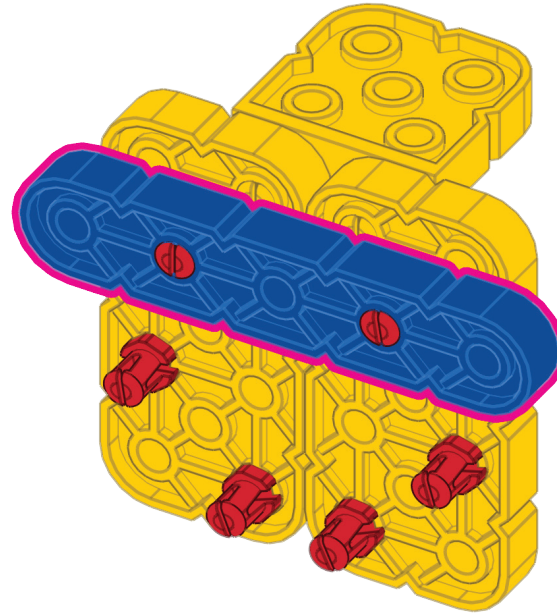
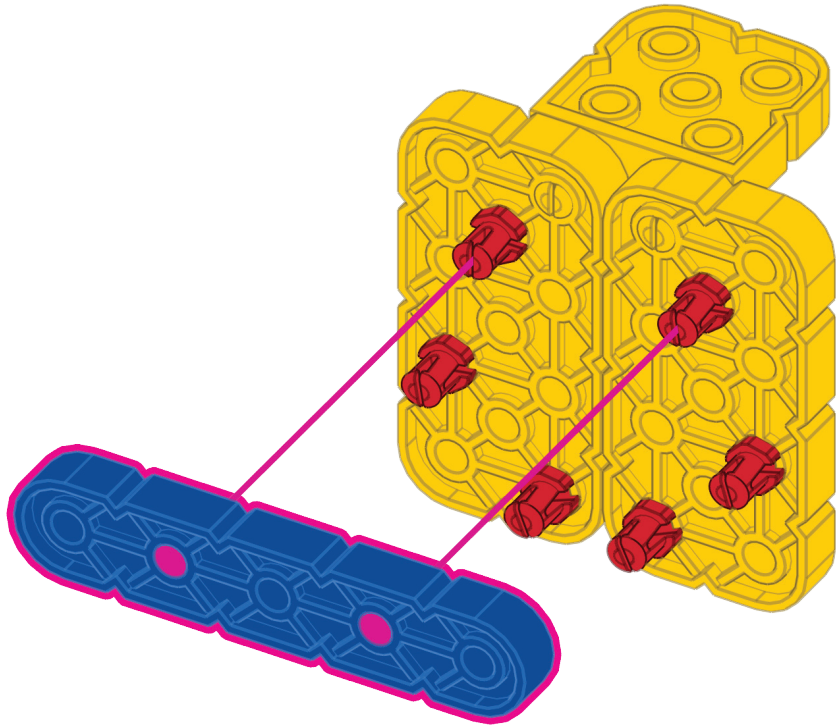


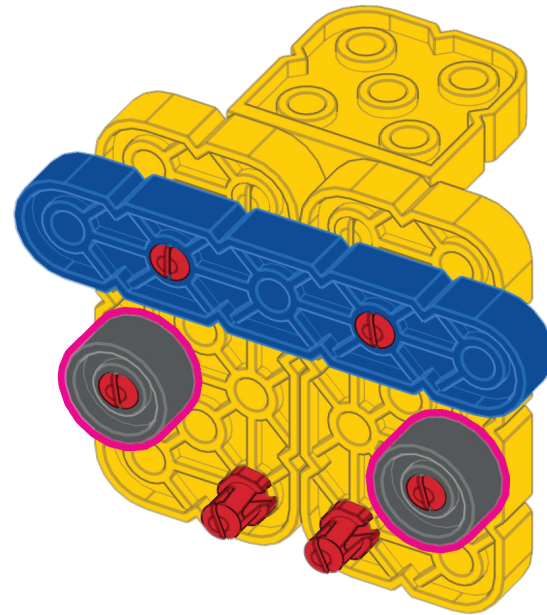
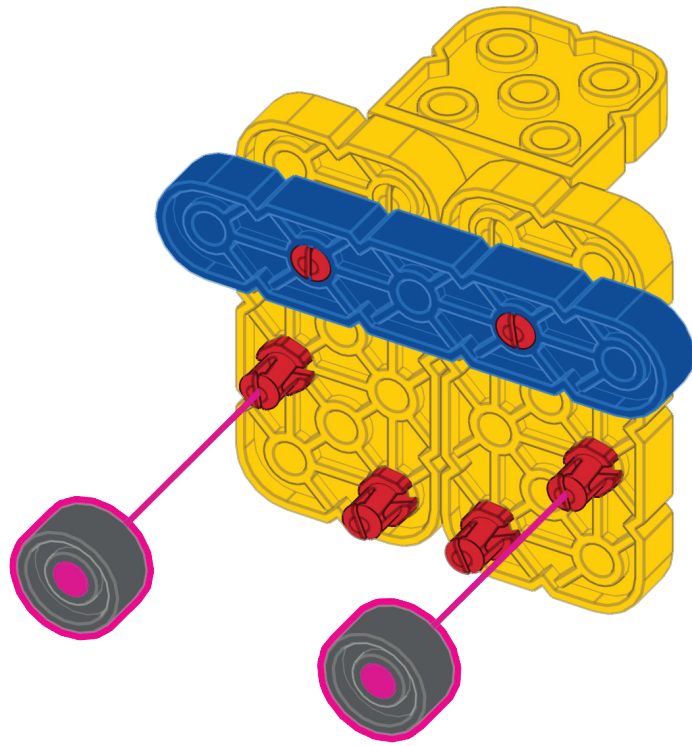
4x Red Pin



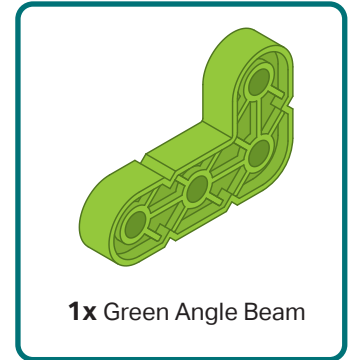
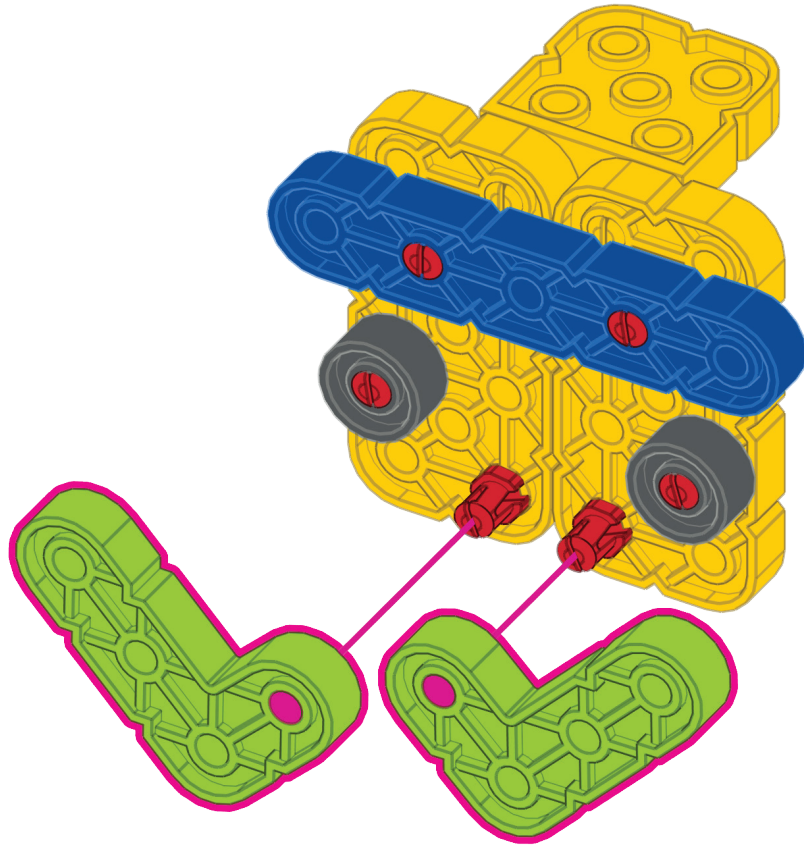


6x Red Pin

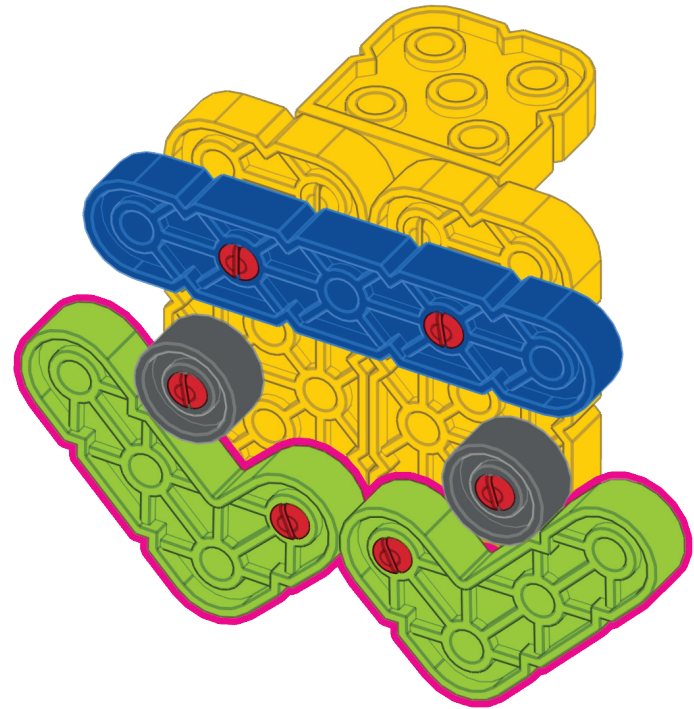


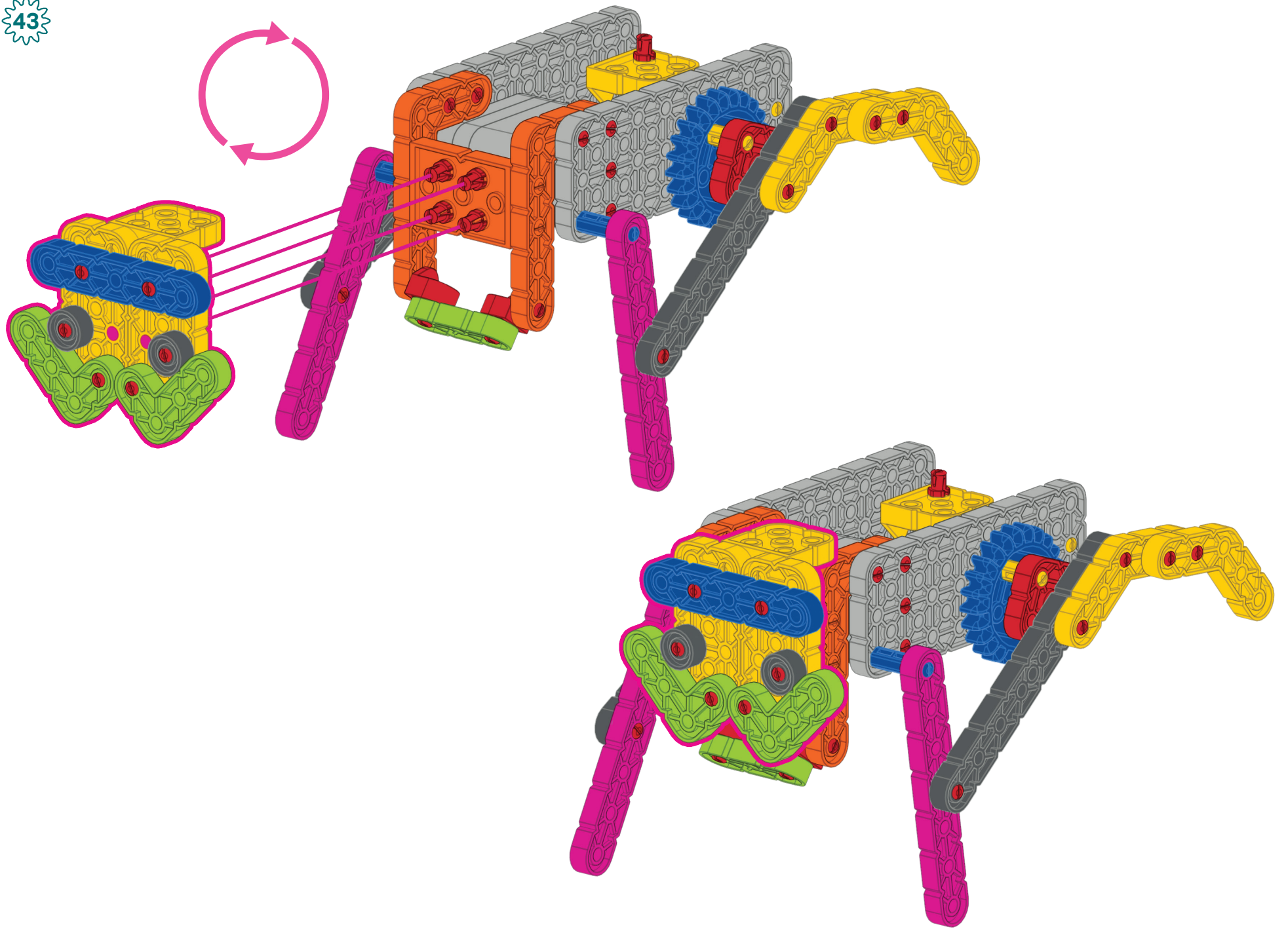


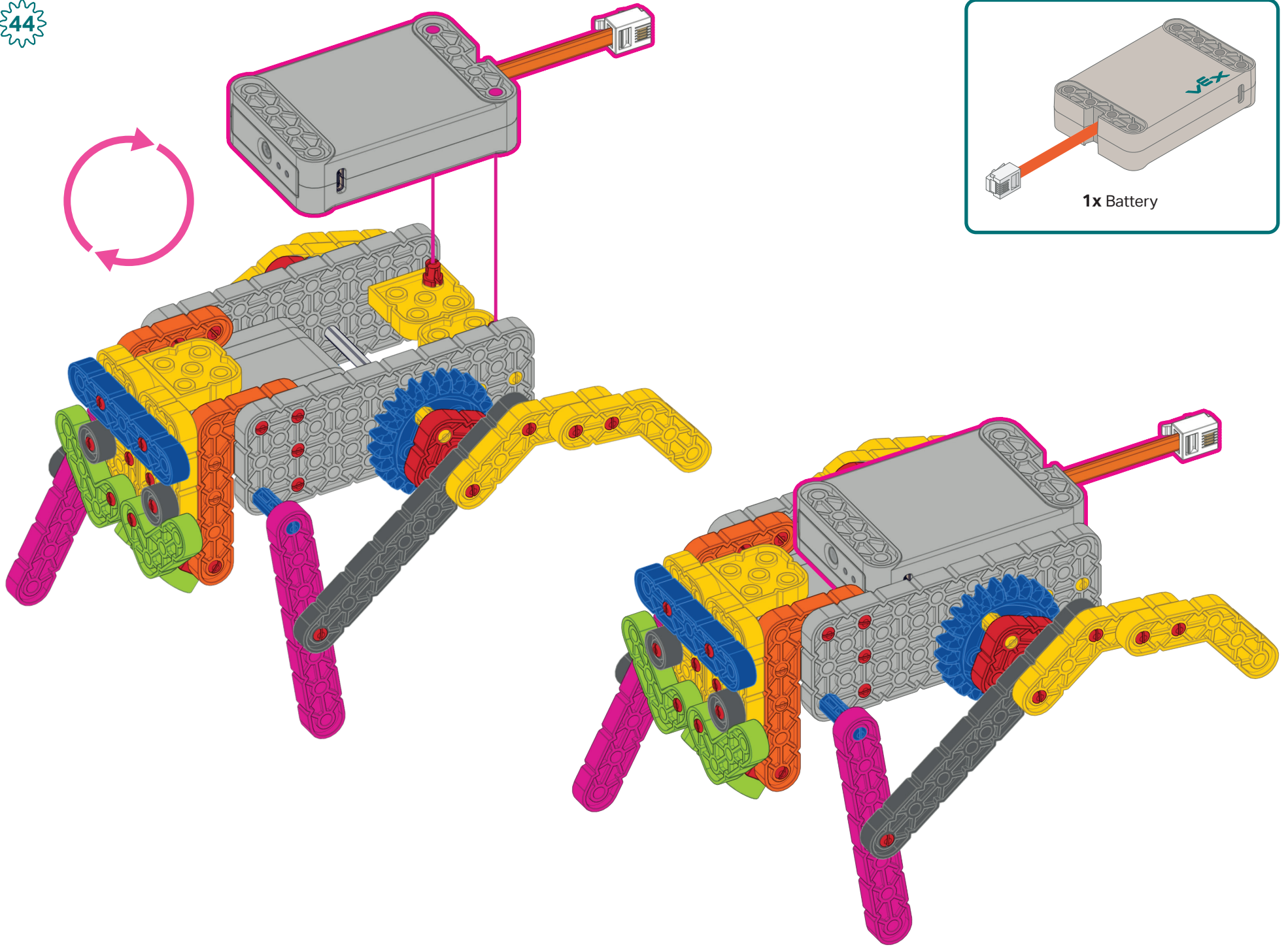
2x Spacer

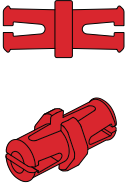
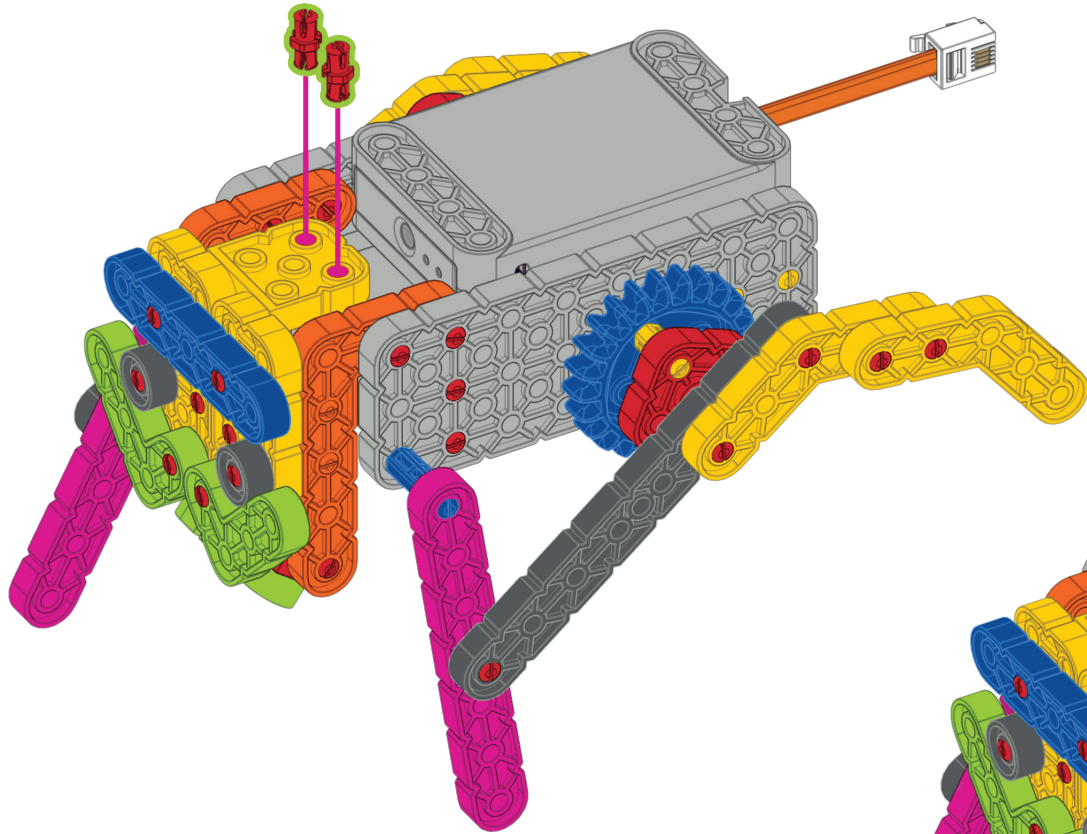


1x Green Angle Beam

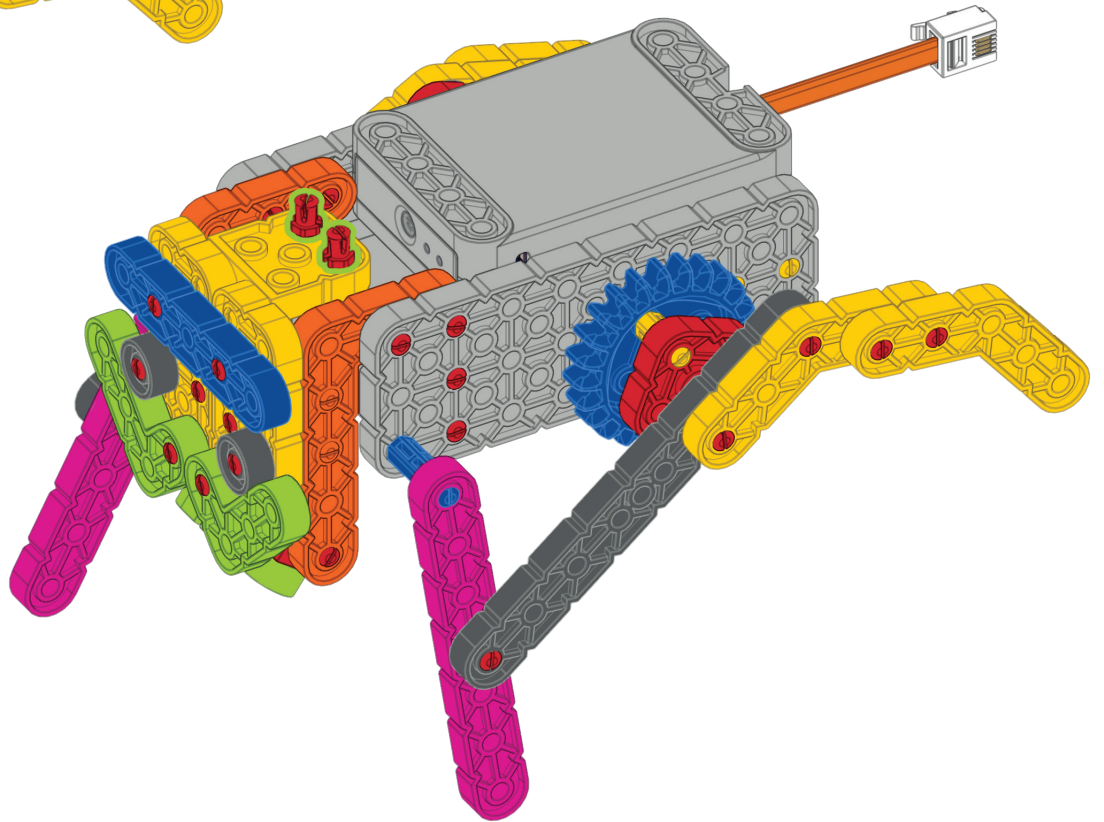


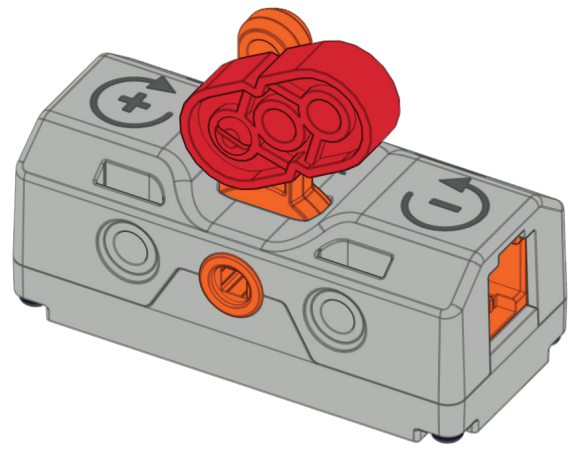
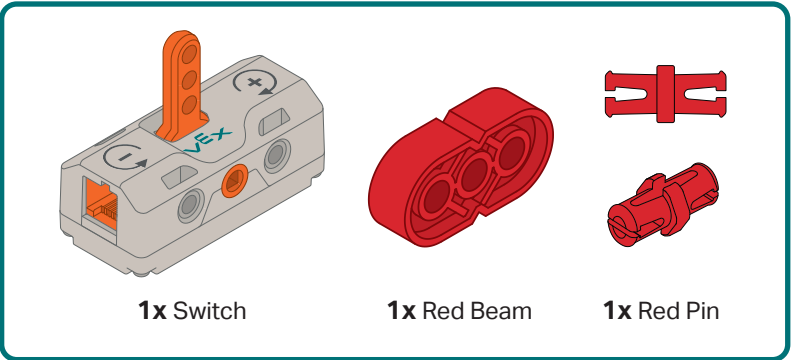
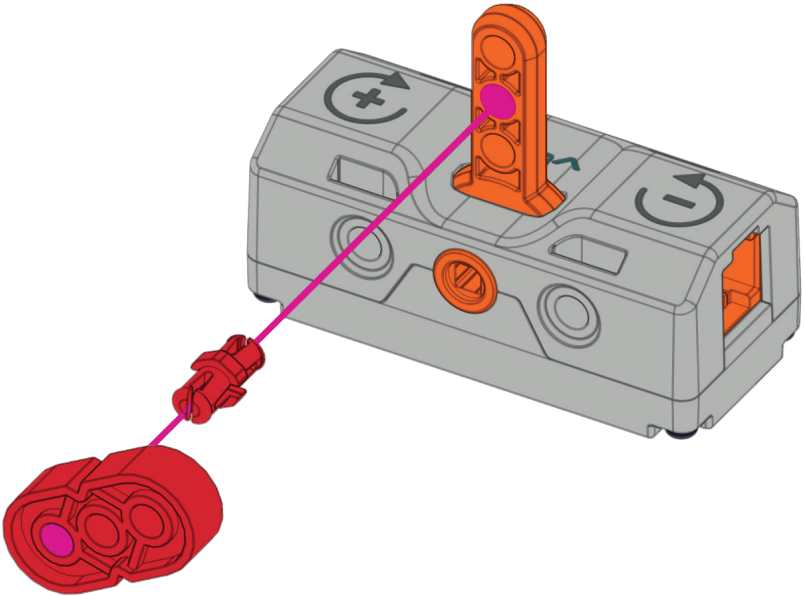


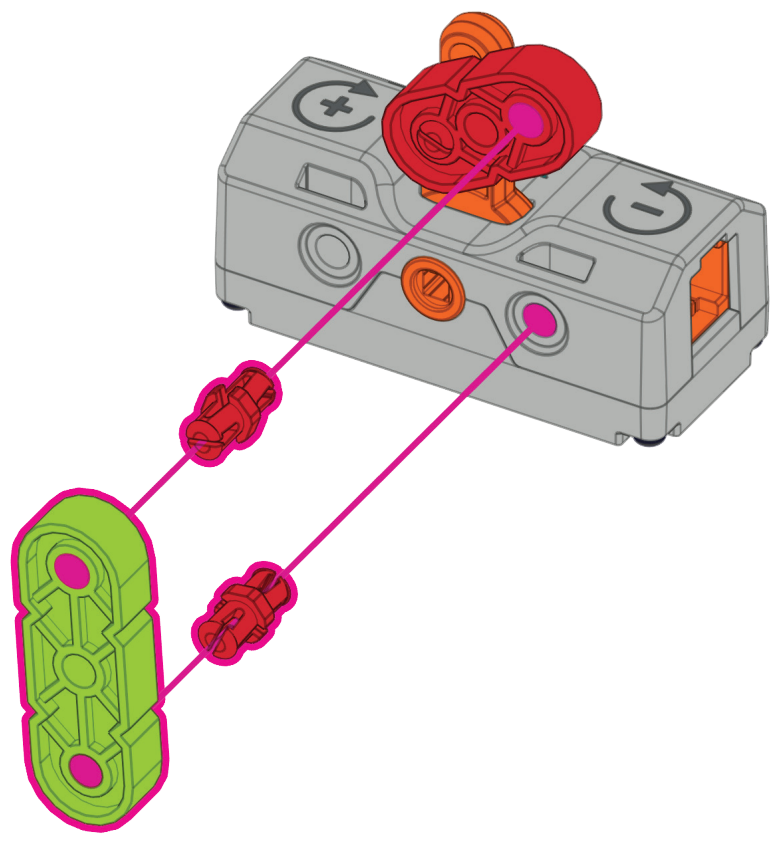




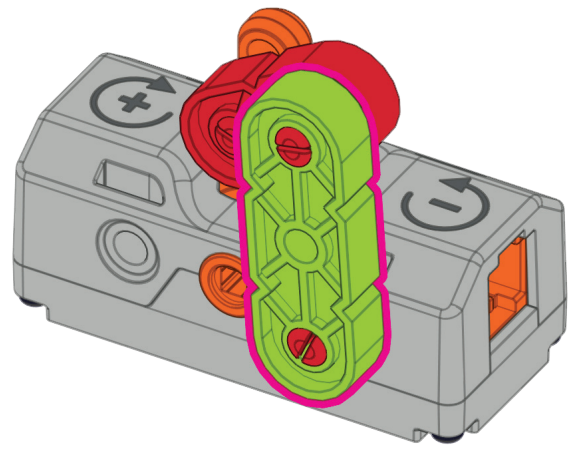
2x Red Pin

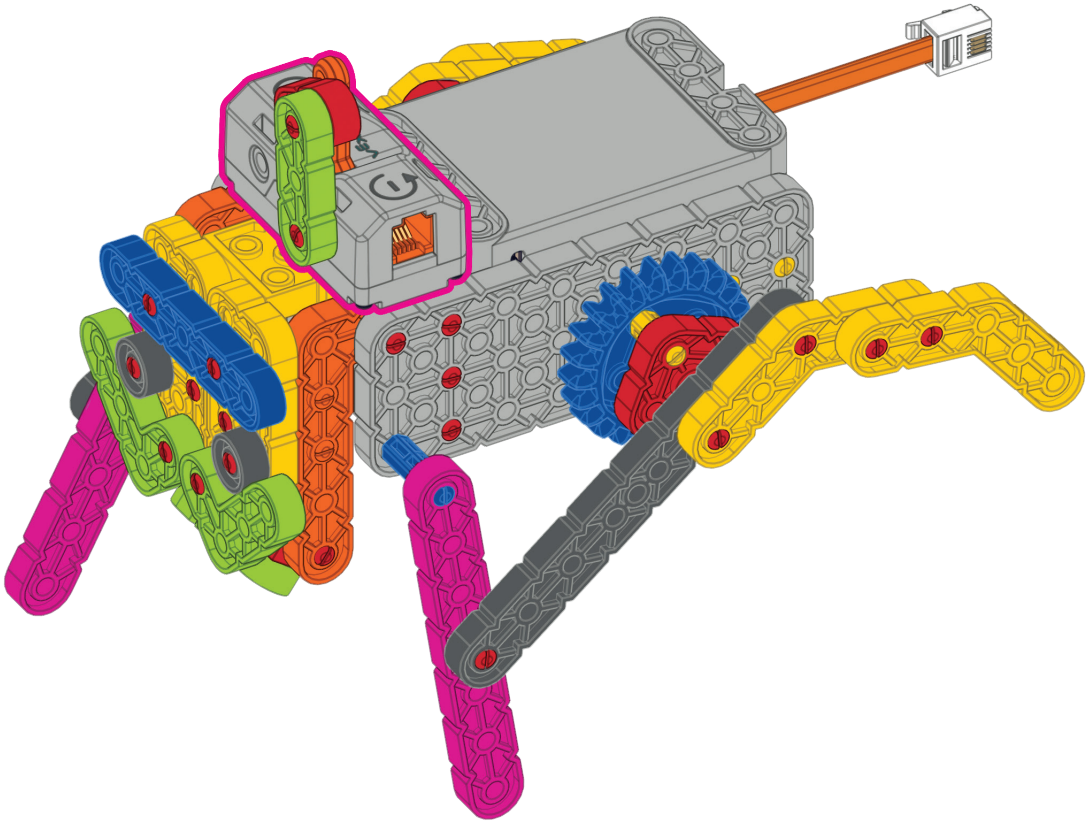
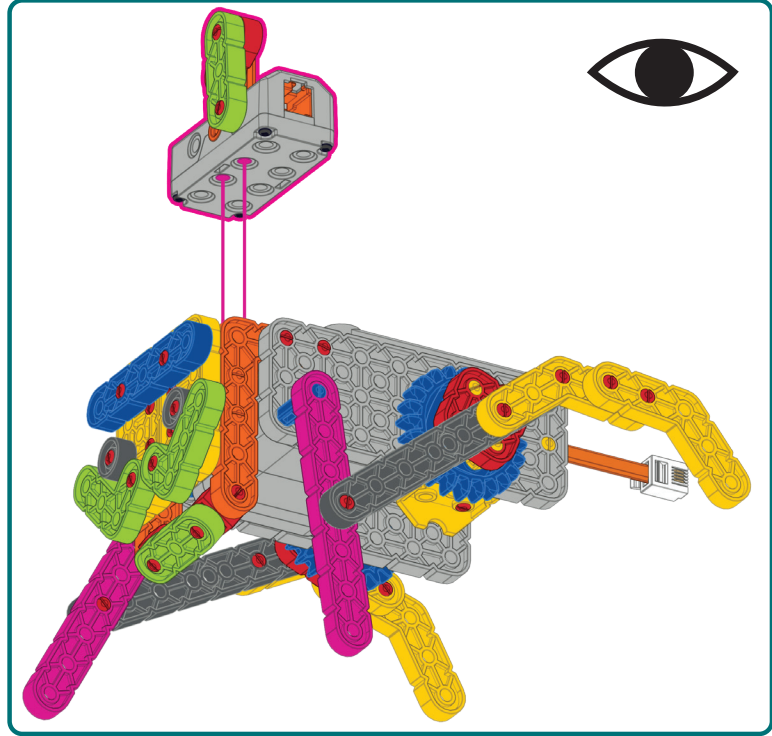
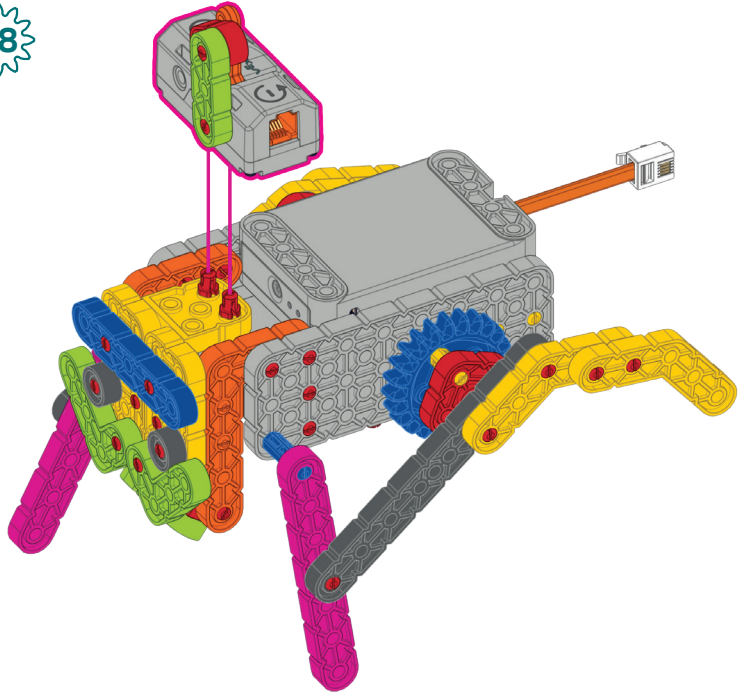


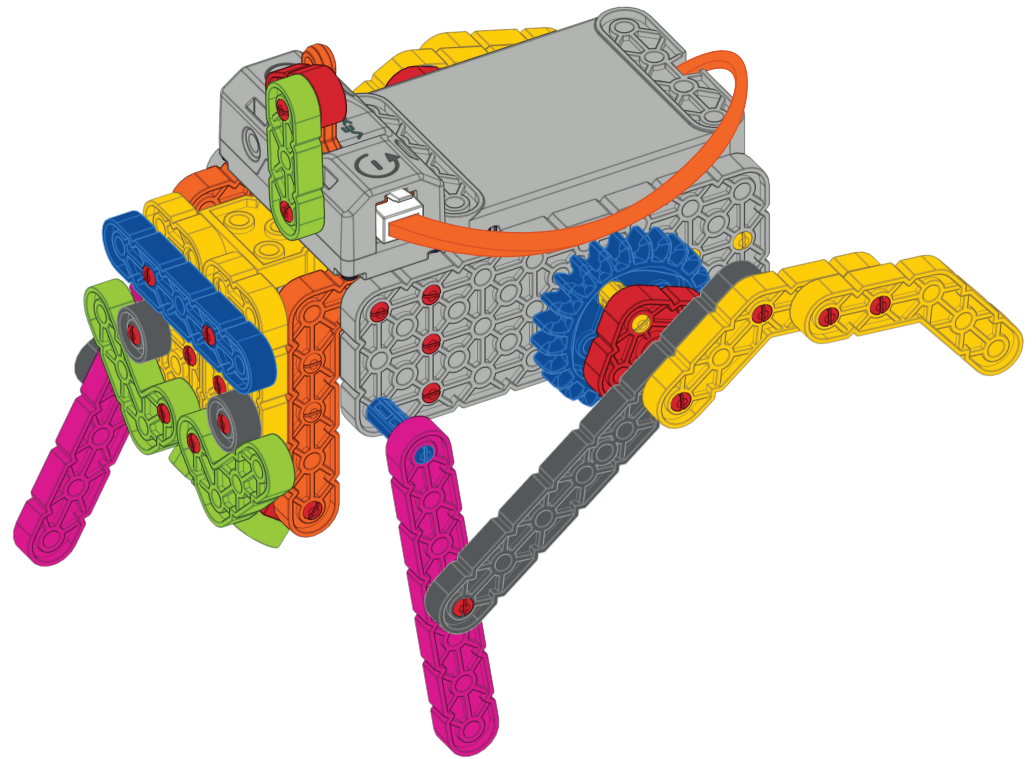
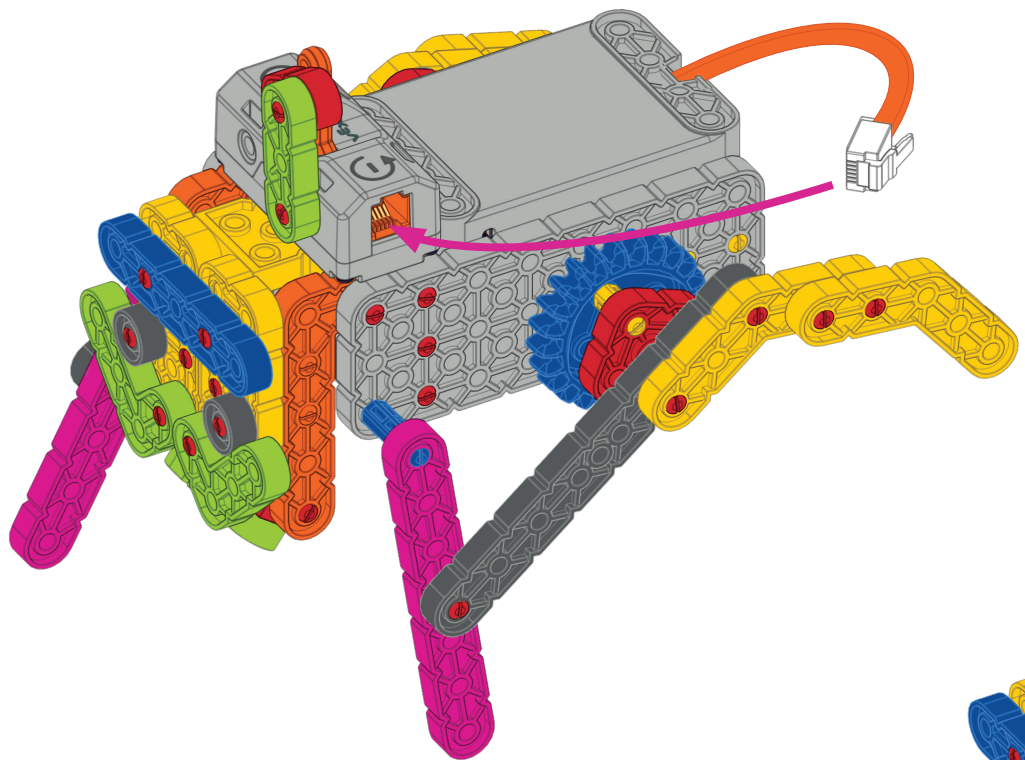


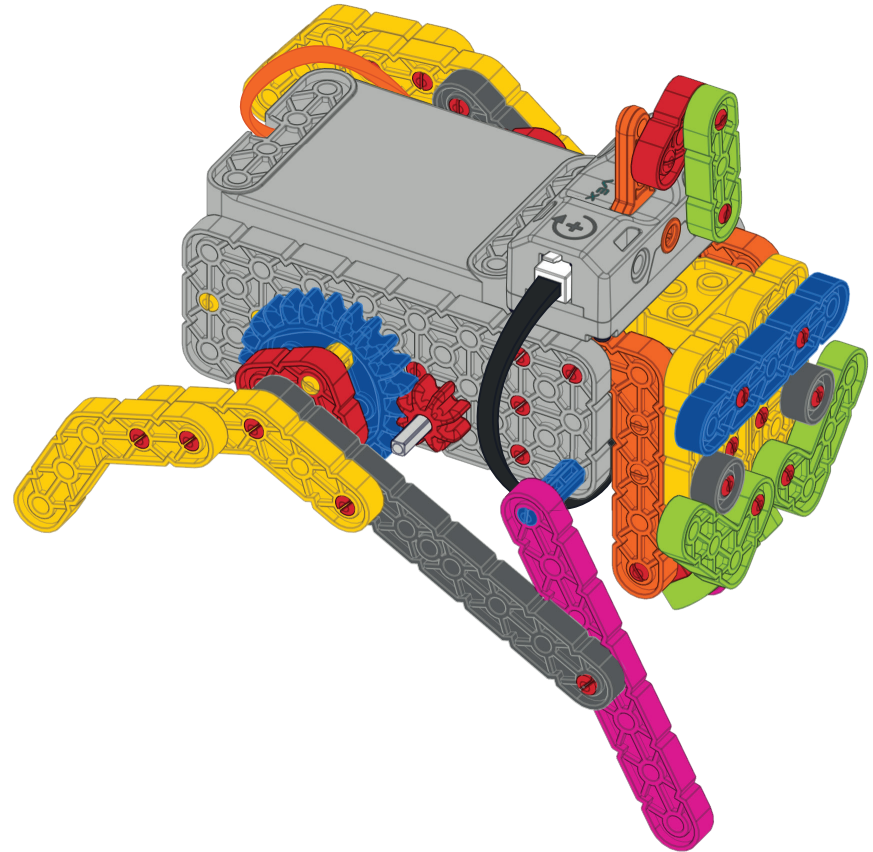
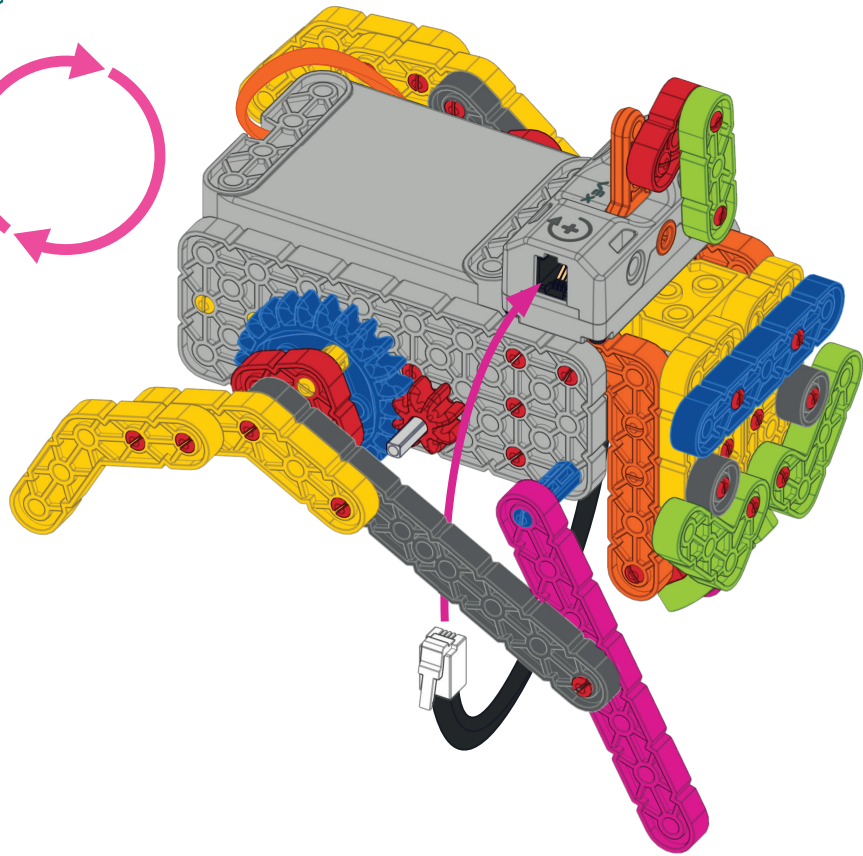
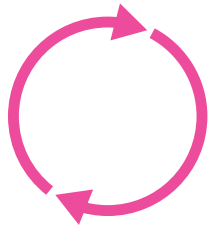


1x Green Beam 2x Red Pin









Ed Build Instructions

269-6912-190 Rev6



Custom manufactured in China for Innovation First Trading SARL. Distributed in the U.S.A, Mexico, Caribbean, Central & South America by VEX Robotics, Inc., 6725 W. FM 1570, Greenville, TX 75402, U.S.A. Distributed in China by Innovation First International (Shenzhen), Ltd., Suite 1906, Excellence Tower, 98 Fuhua Yi Road, Futian, Shenzhen, Guangdong, China 518048. Distributed in other regions by Innovation First Trading SARL, Innovation First Trading SARL, Parc Logistique Eurohub Sud, 3434 – Dudelange, Luxembourg +352 27 86 04 87. Distributed in Canada by / Distribué au Canada par / Innovation First Trading, LLC, 6725 W. FM 1570, Greenville, TX 75402, U.S.A.