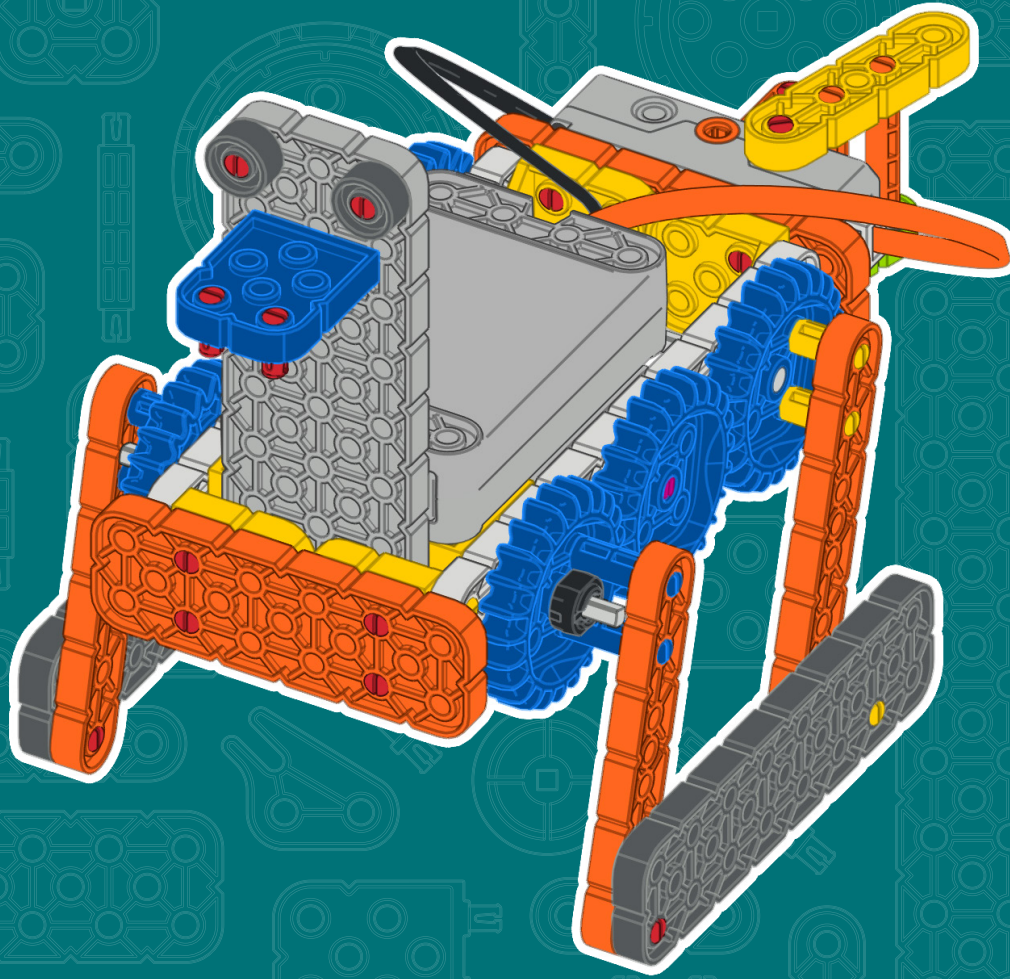
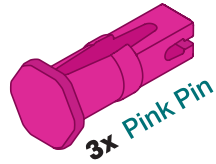
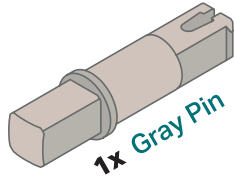
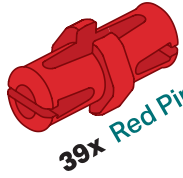


VEX GO

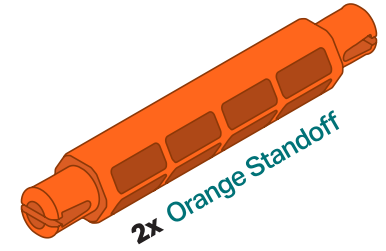
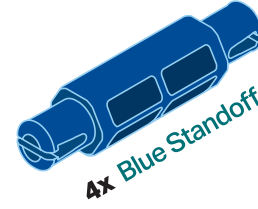
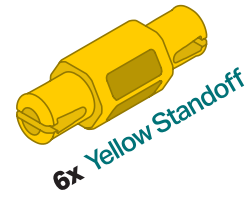
Flopper Build Instructions



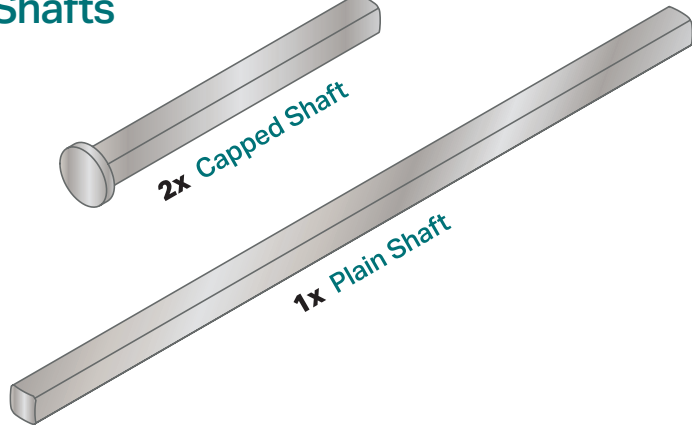
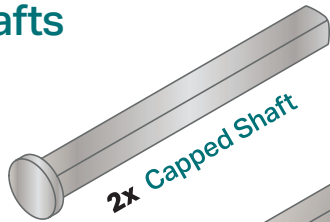
Pins



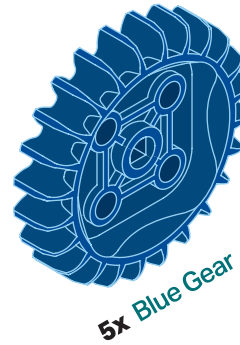
Standoffs



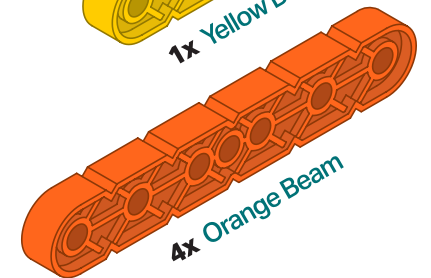
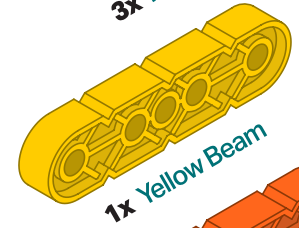
Shafts



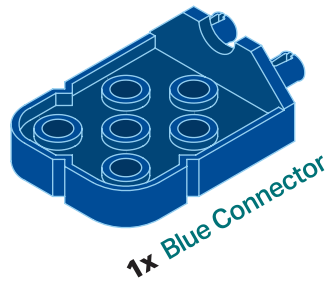
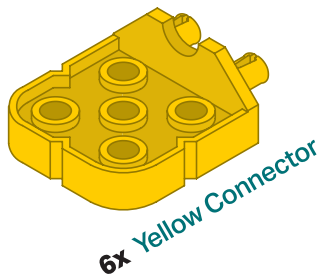
Gears



Beams



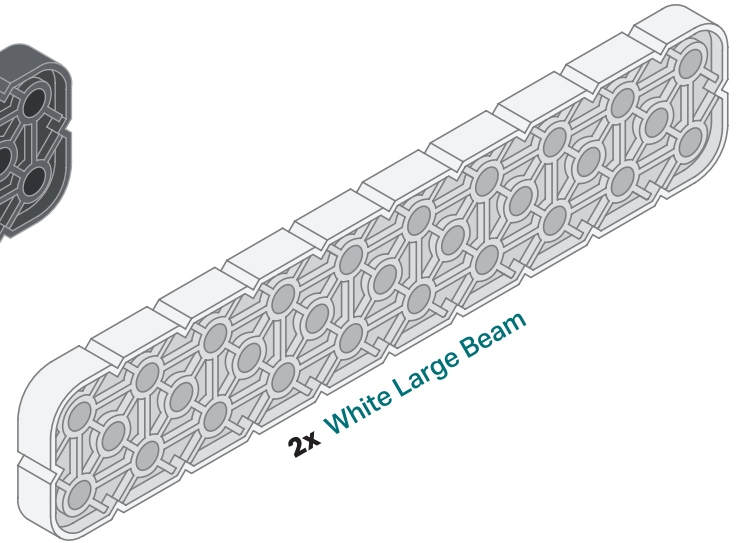
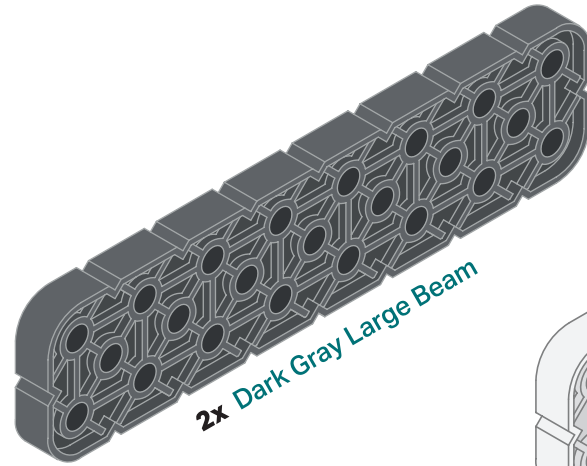
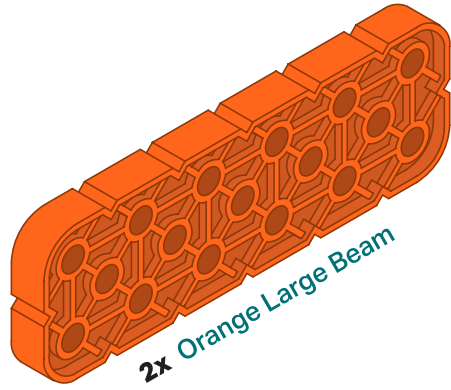
Connectors



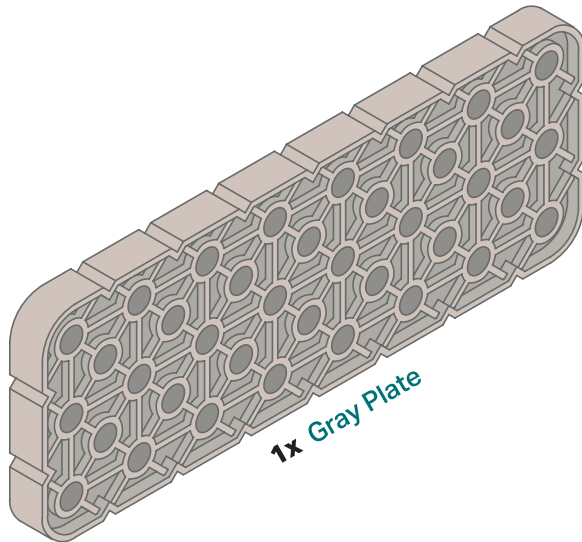
Angle Beams



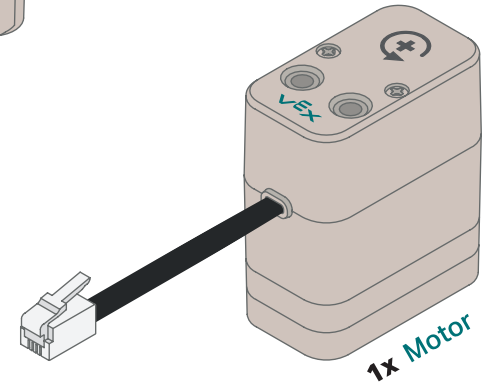
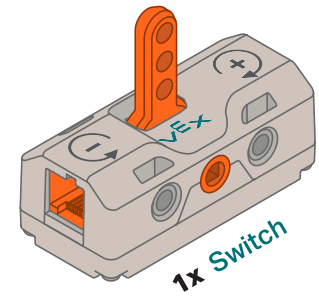
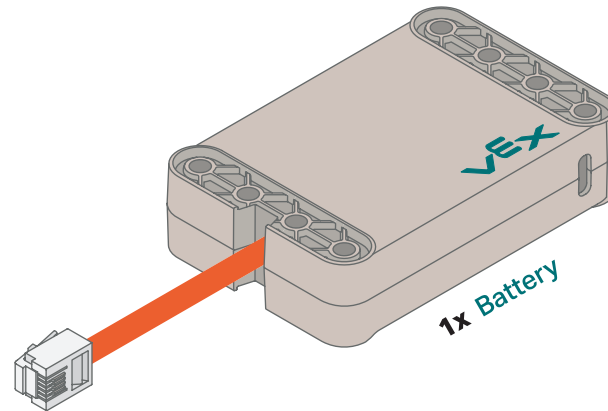
Large Beams



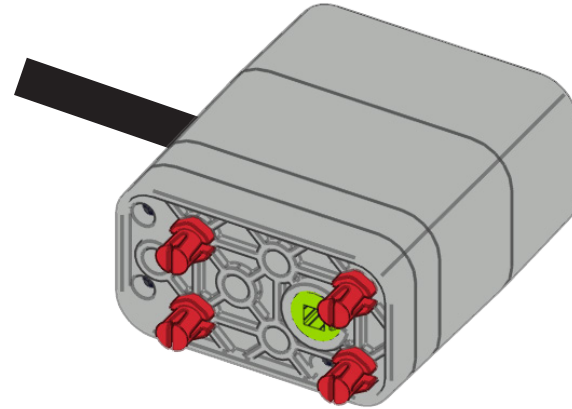
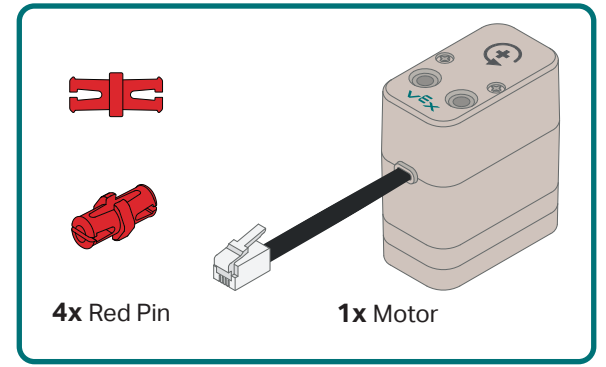
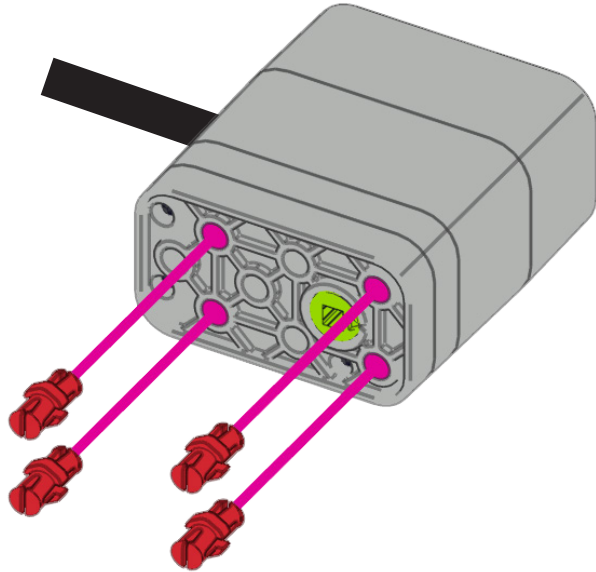
Plates



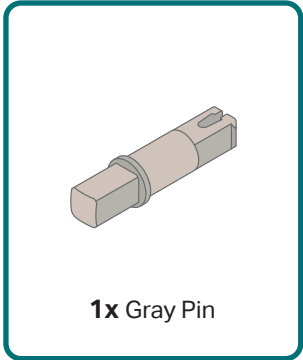
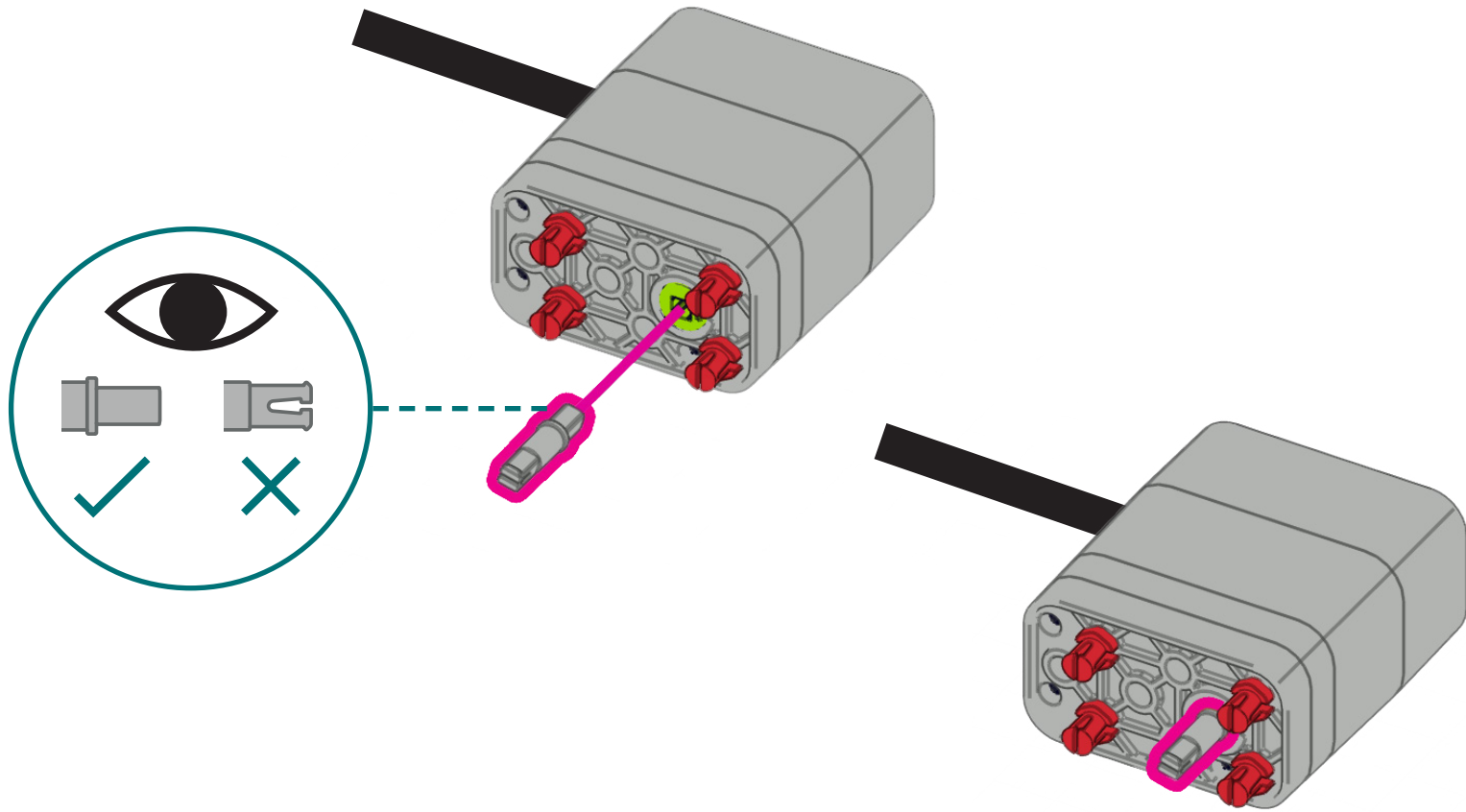
Electronics



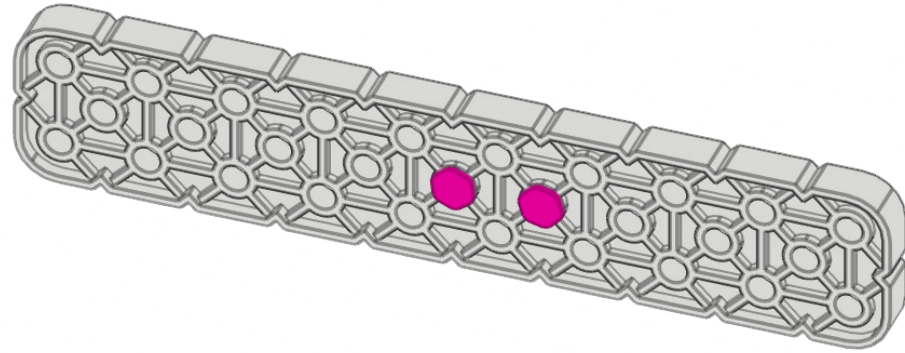
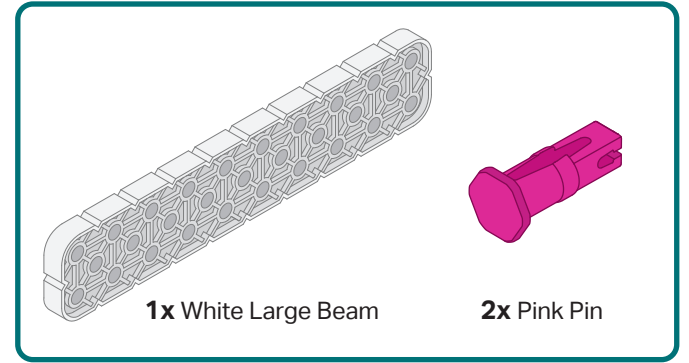
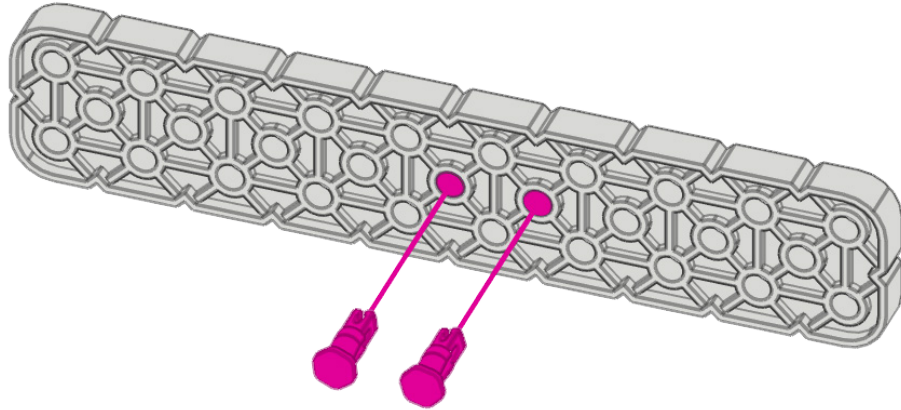
1

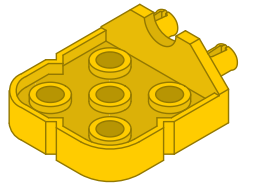
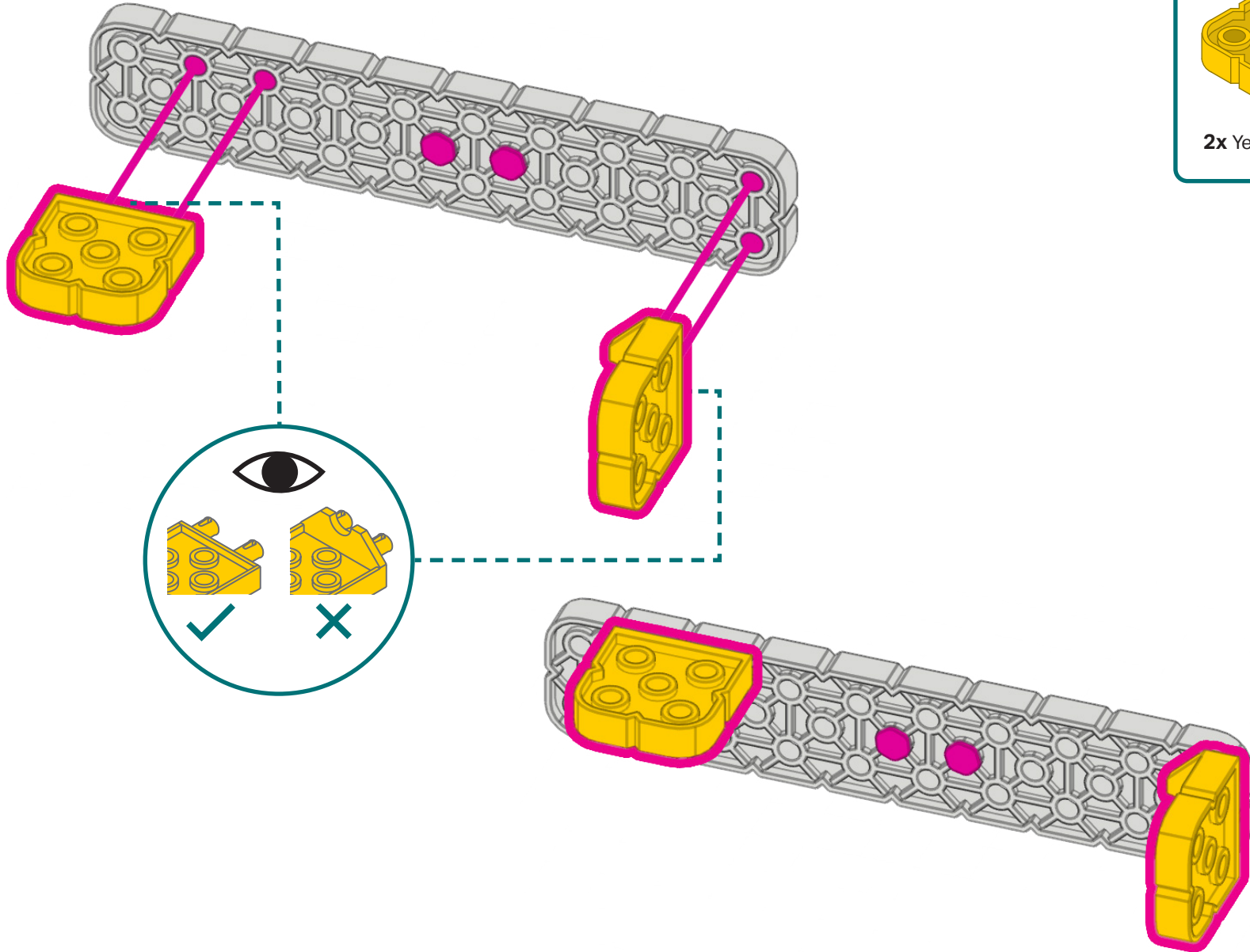


2

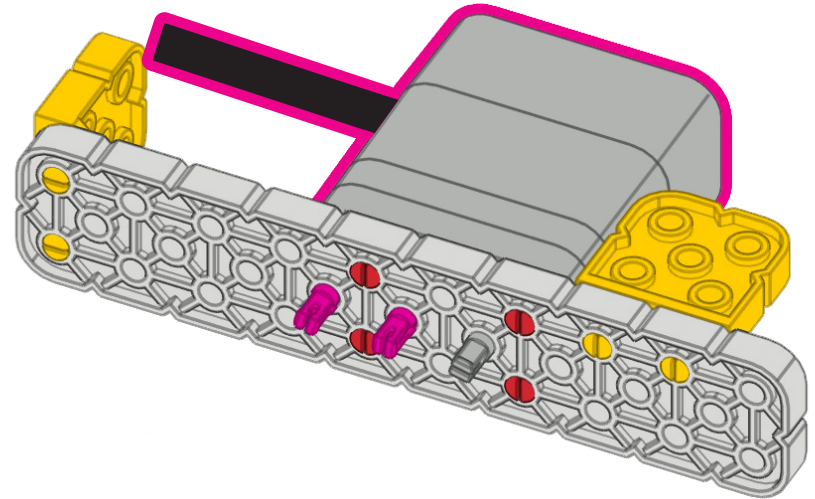
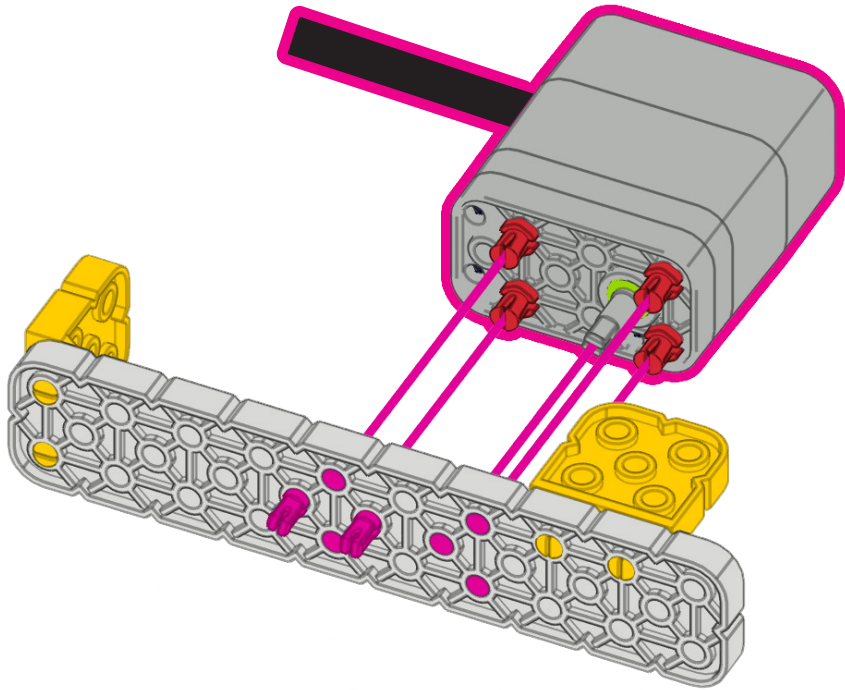


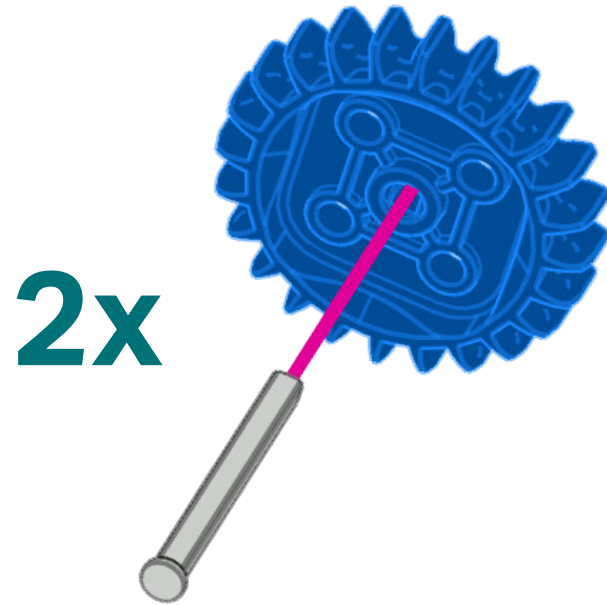
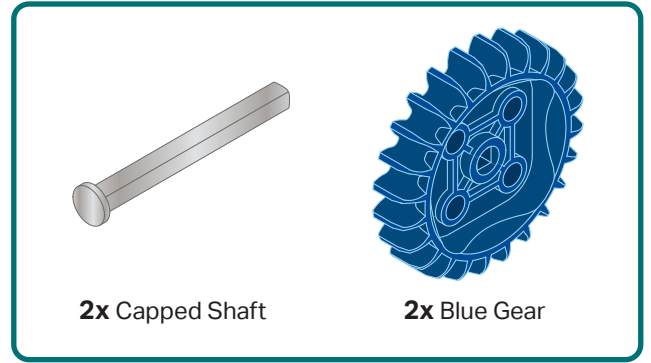
3



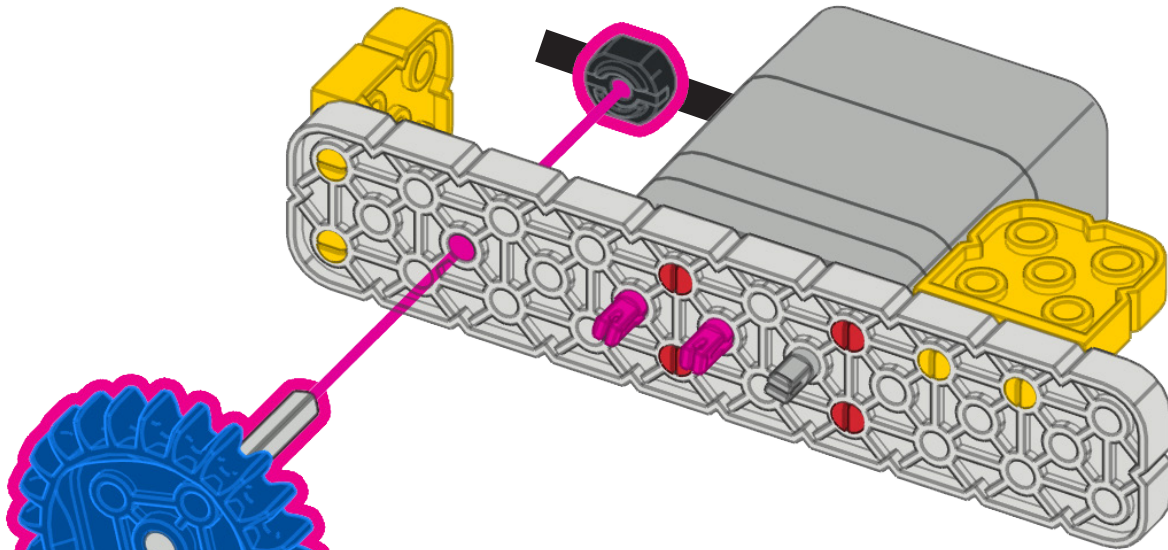


2x Yellow Connector

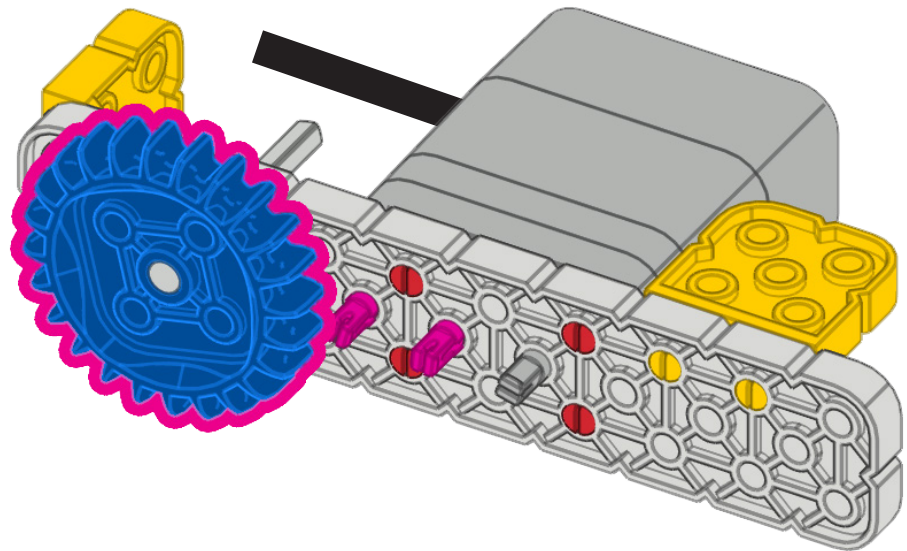


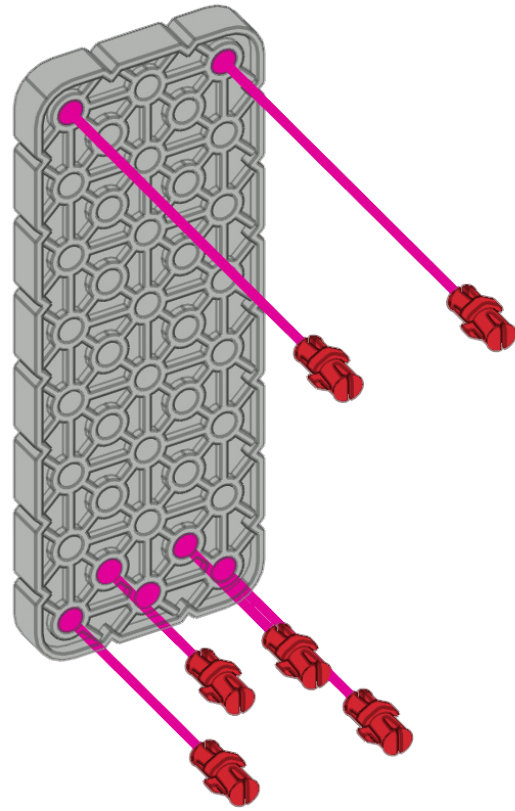


7



1x Shaft Collar

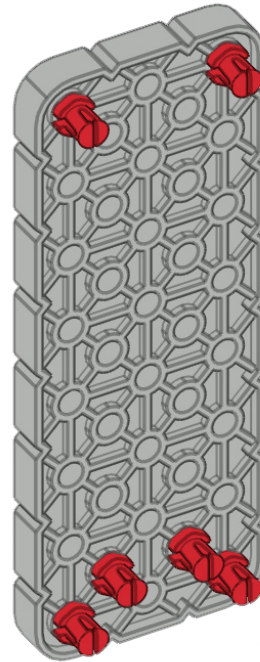


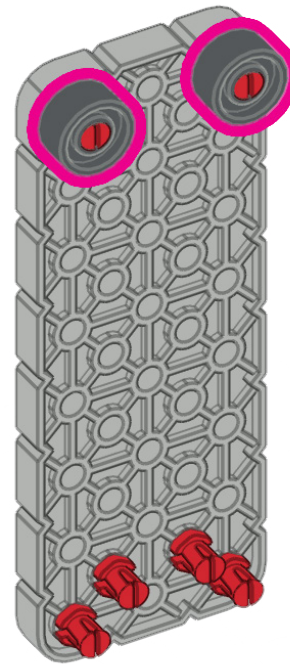
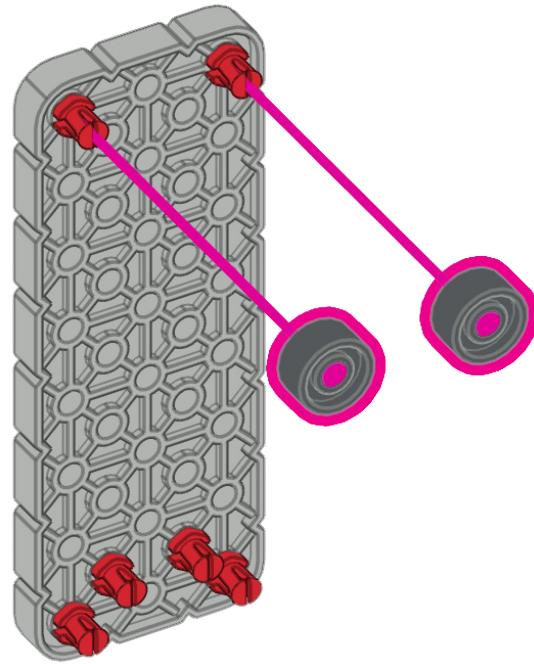


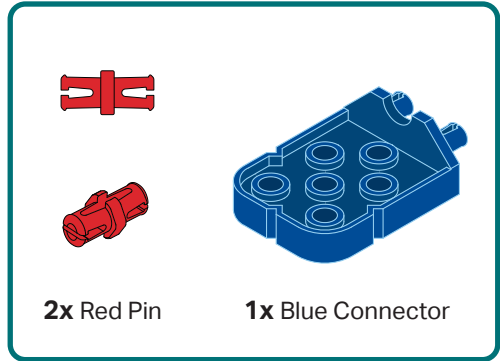
6x Red Pin

1x Gray Plate

A legend box with a teal border containing two items. On the left, a red pin is shown from a top-down perspective. Below it, the text "6x Red Pin" is written. On the right, a gray plate is shown from a perspective view. Below it, the text "1x Gray Plate" is written.



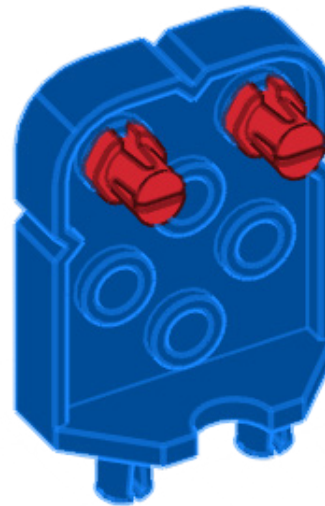
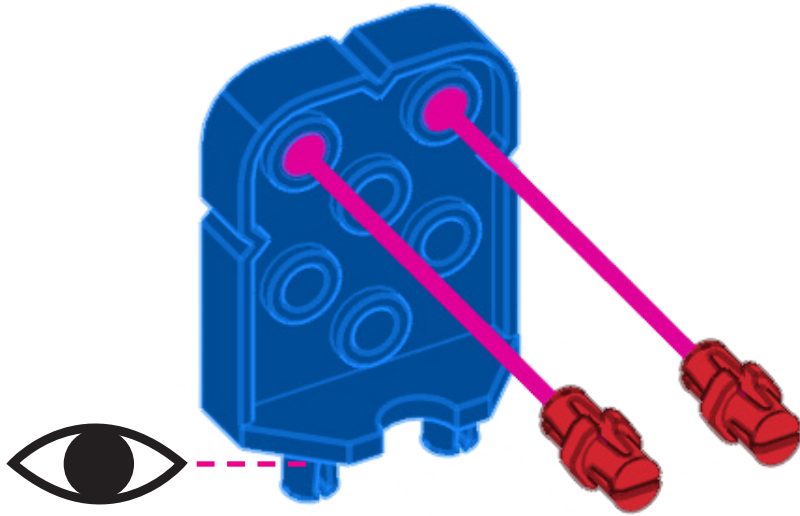


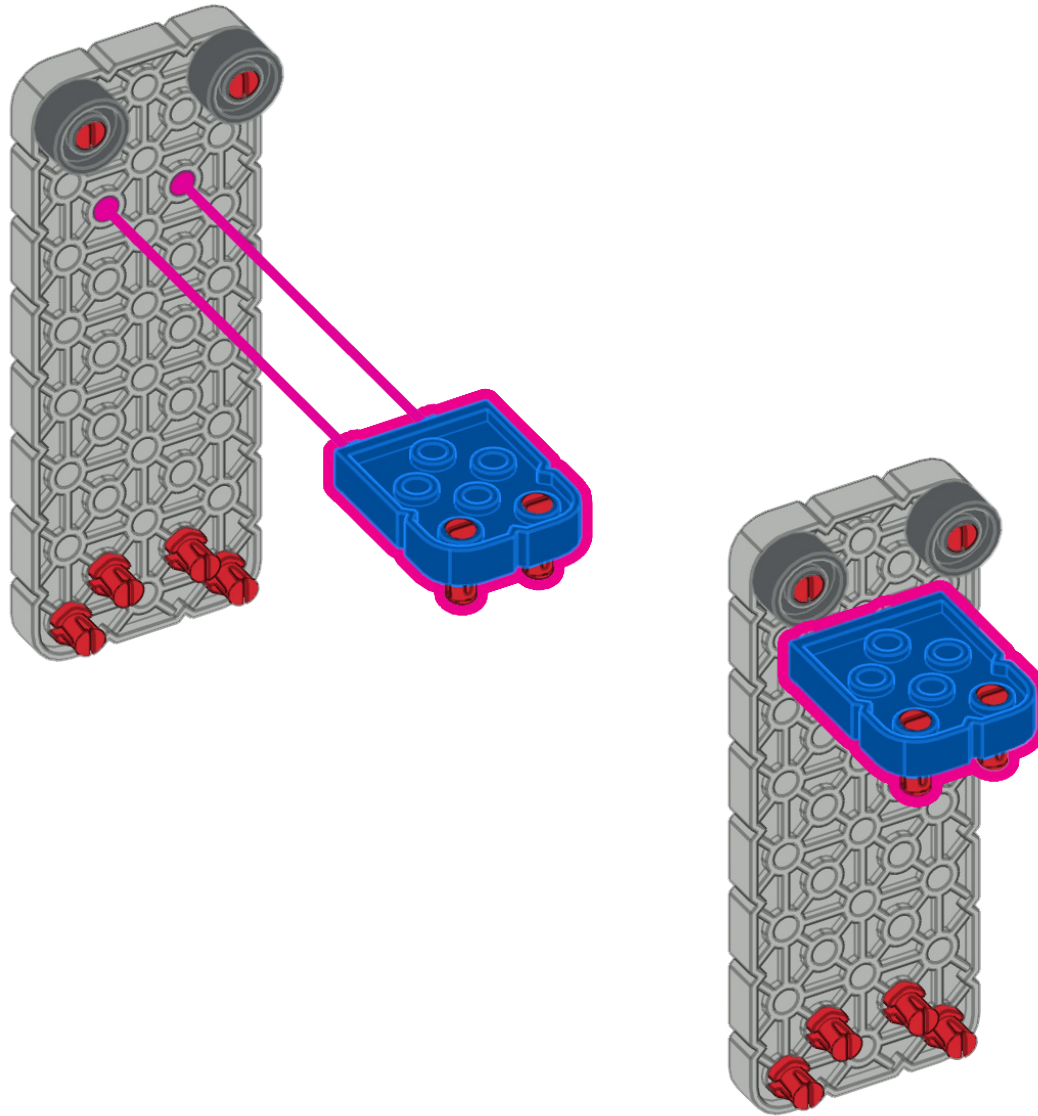


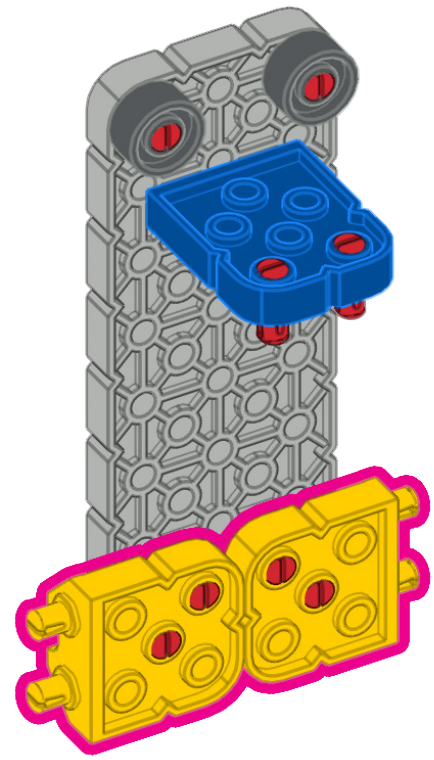
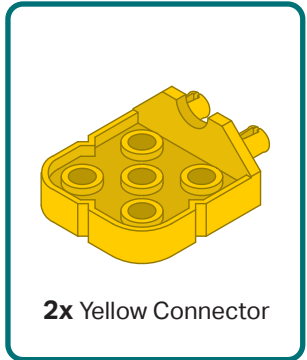
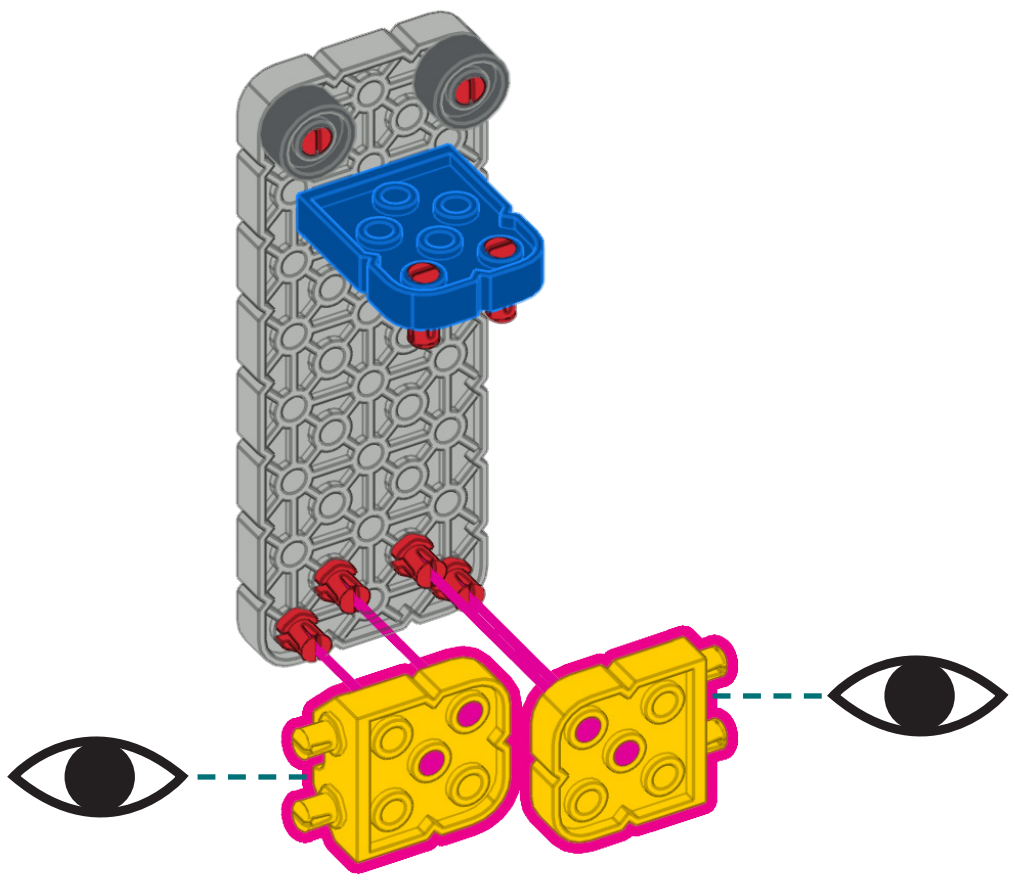
2x Red Pin

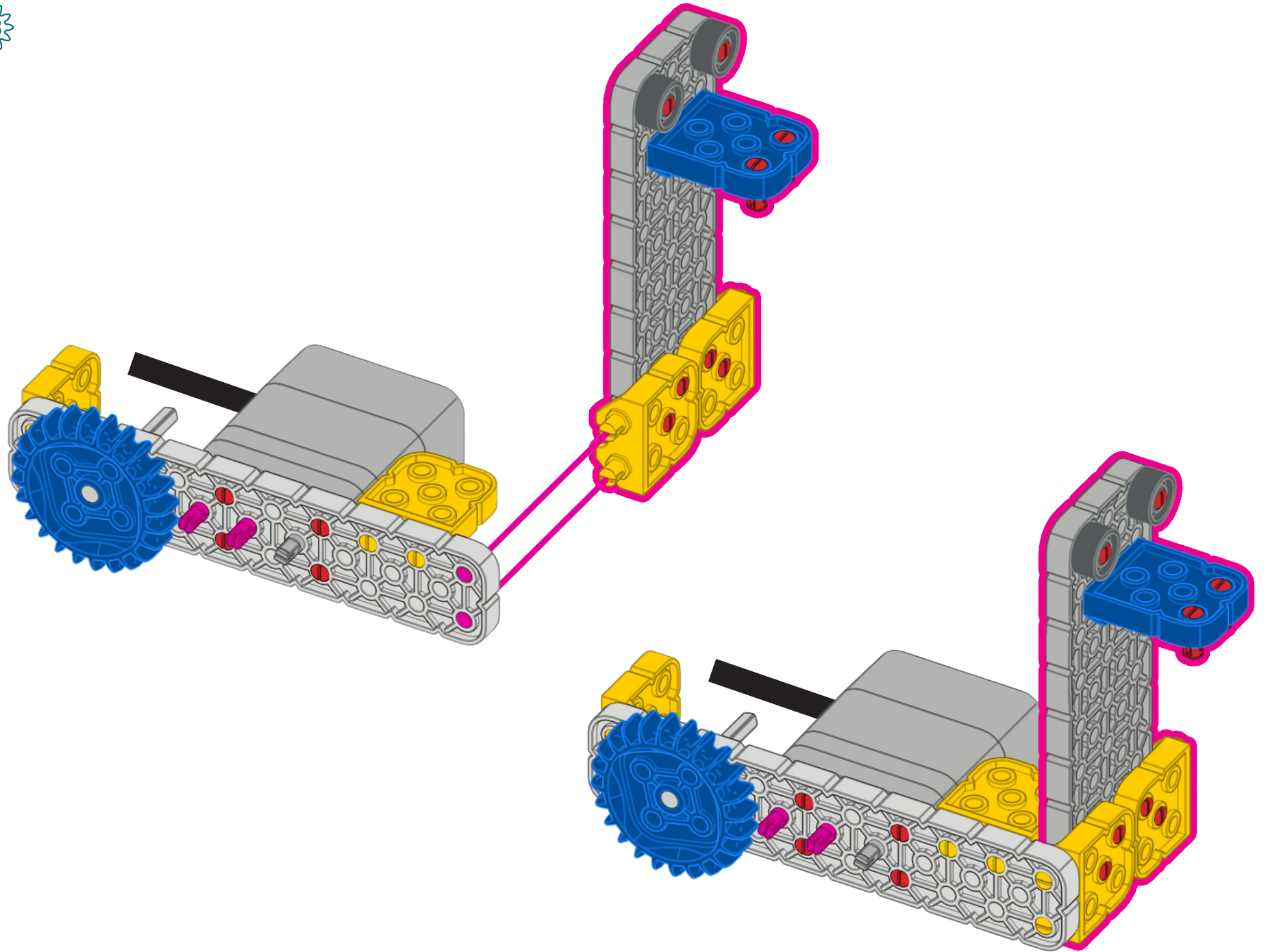
1x Blue Connector

This block contains a parts list for step 10. It features two red pins and one blue connector. The red pins are shown in two orientations: one as a simple bar with a central hole, and another as a pin with a wider, flared base. The blue connector is a rectangular piece with four circular holes on its top surface and a small protrusion on one side.

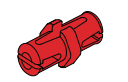
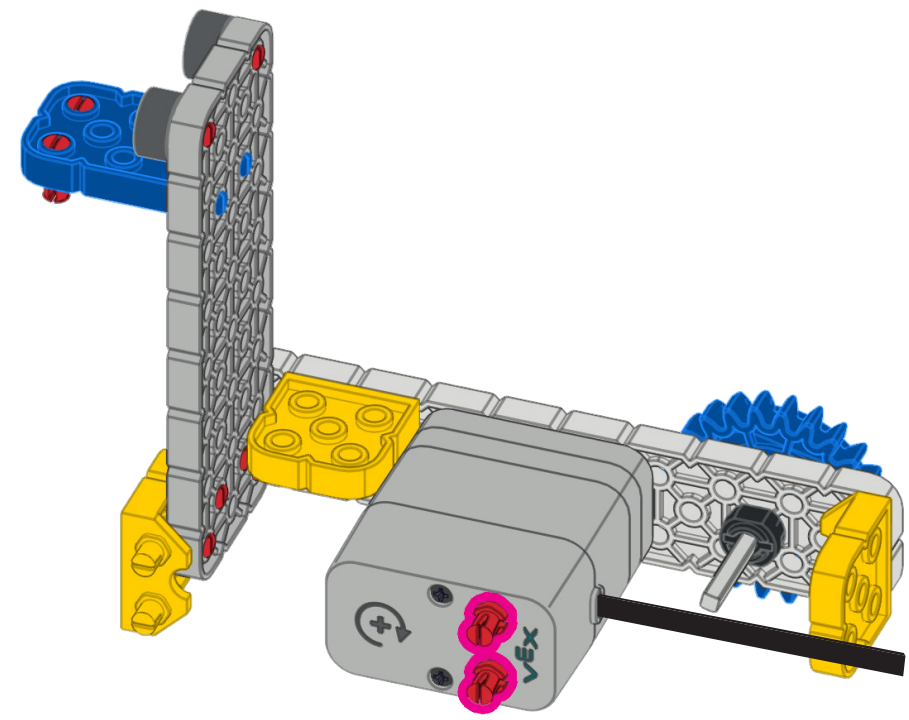
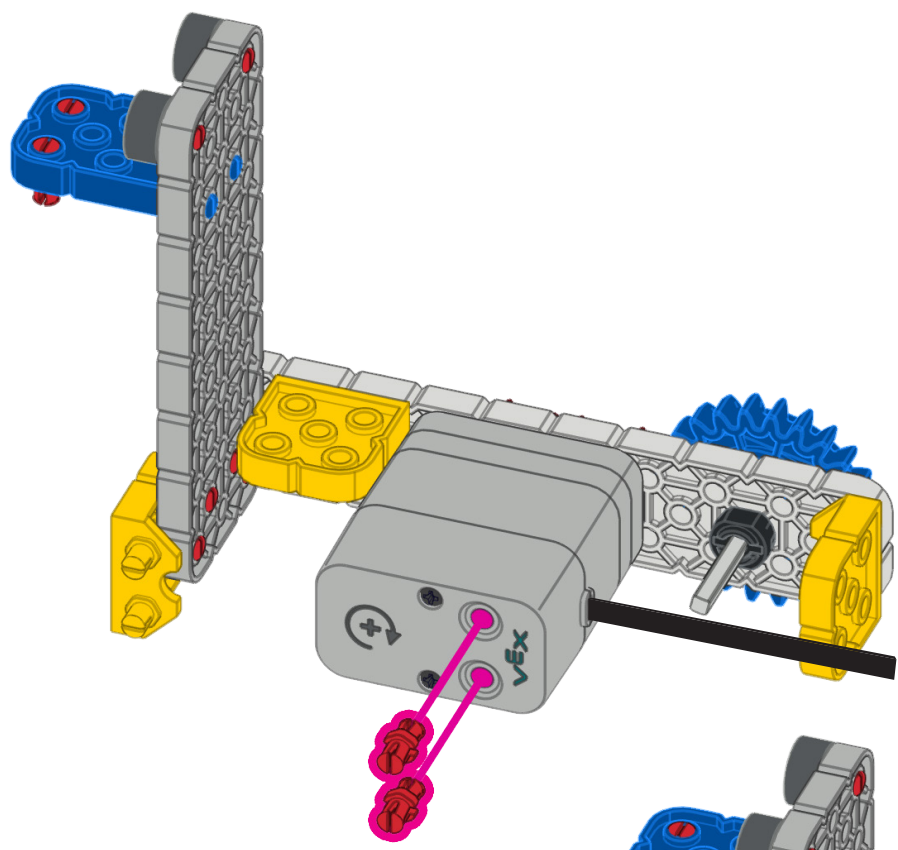
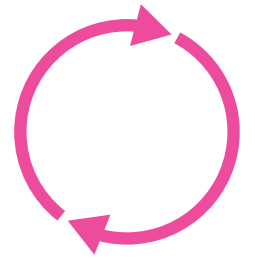




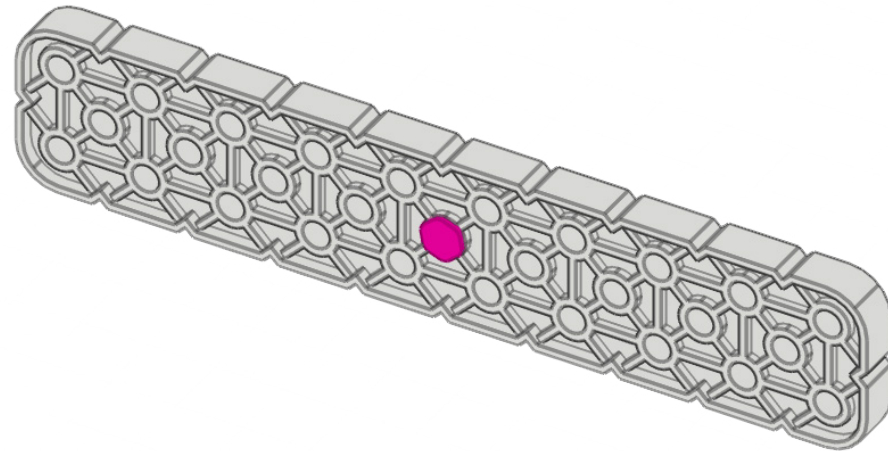
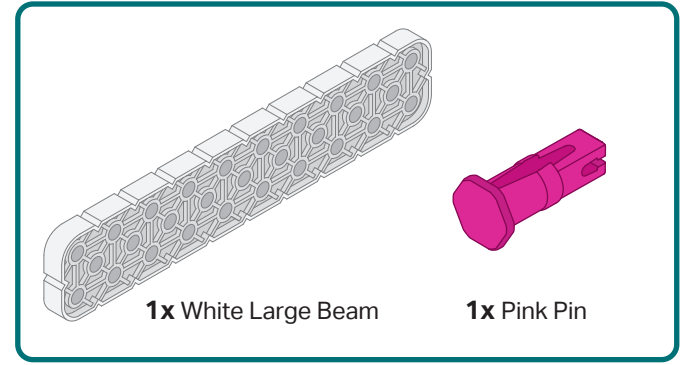
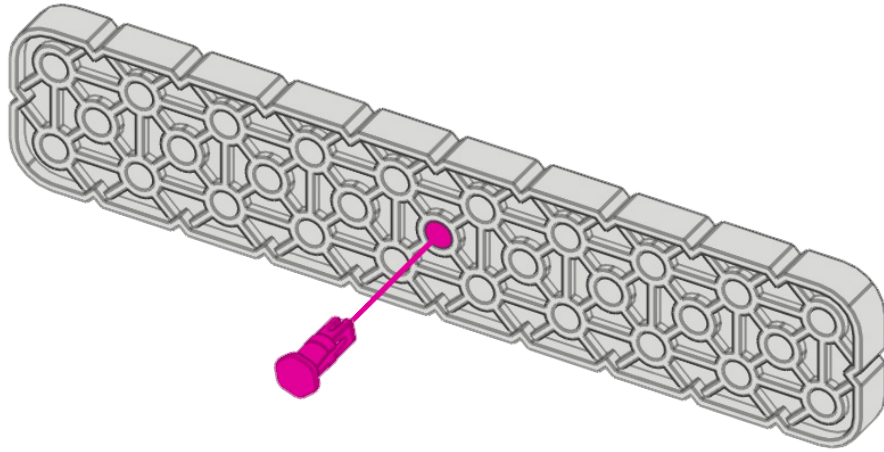


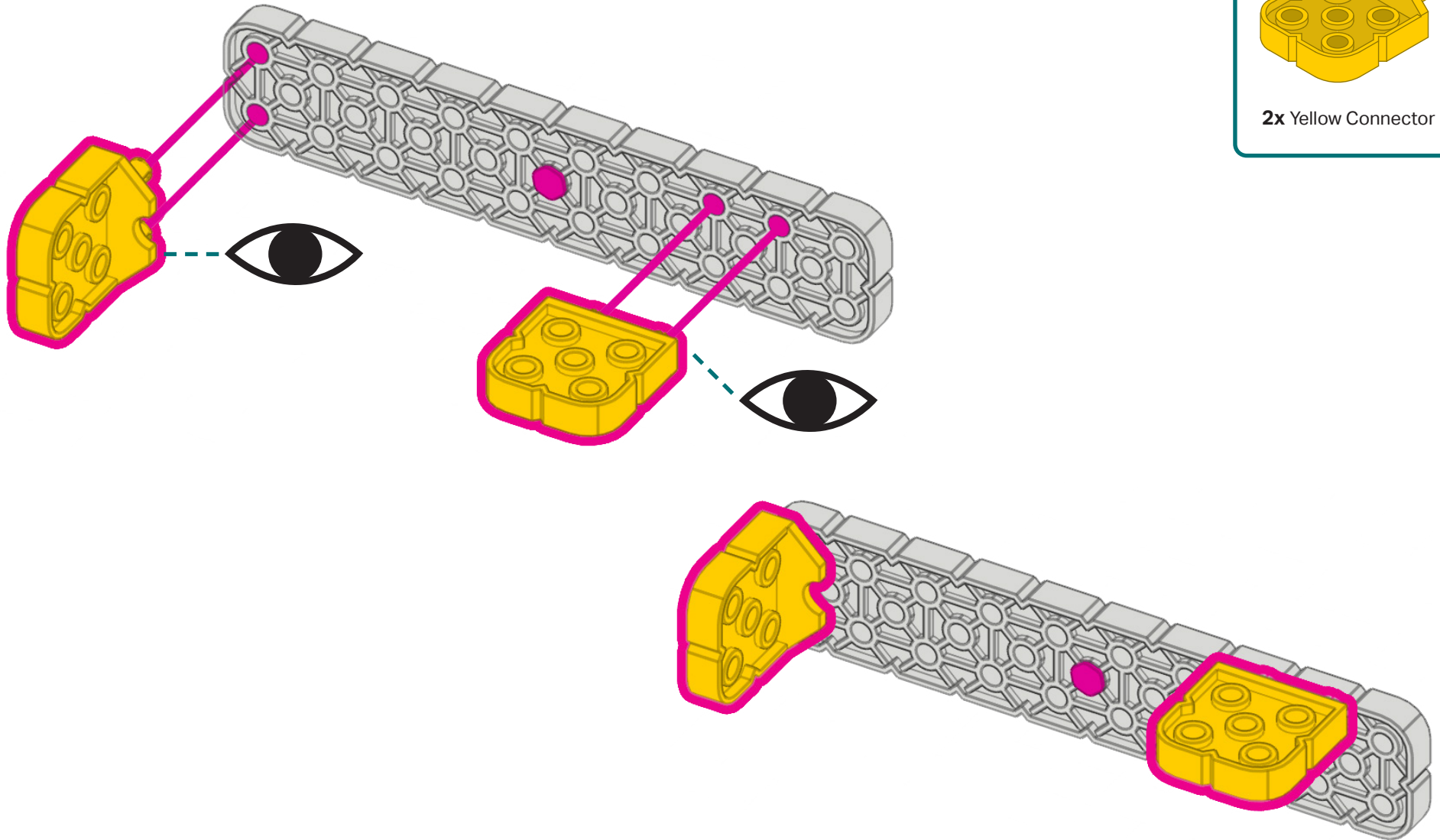


14



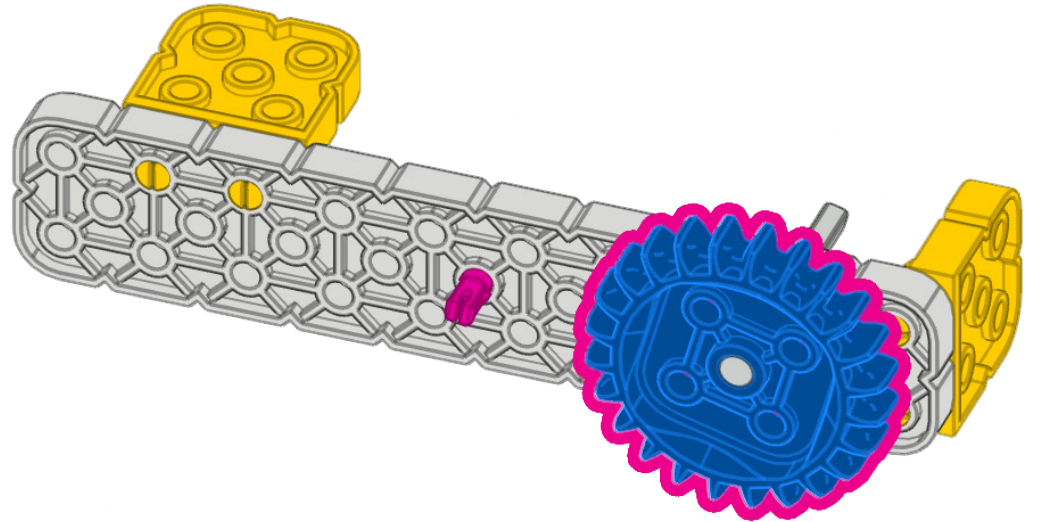
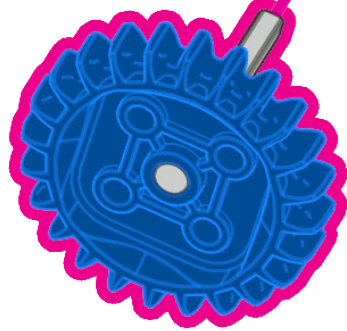
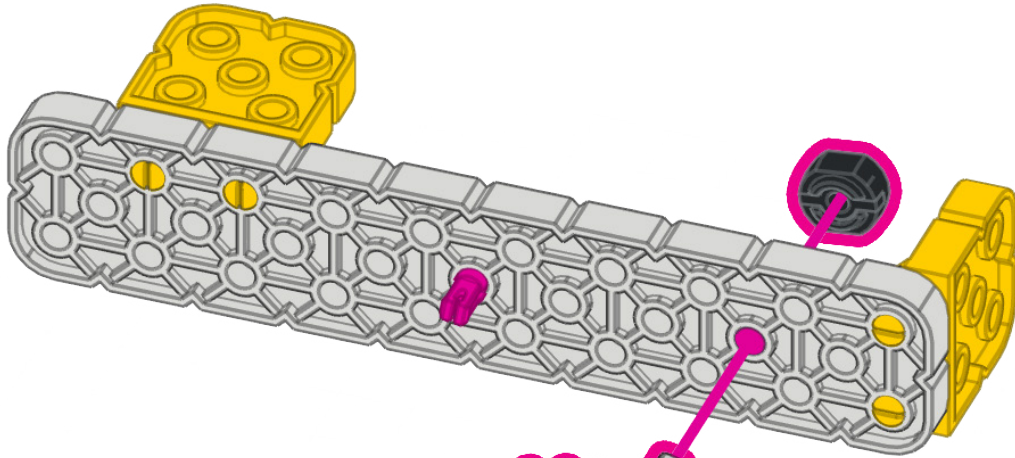
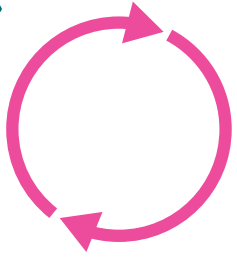
2x Red Pin



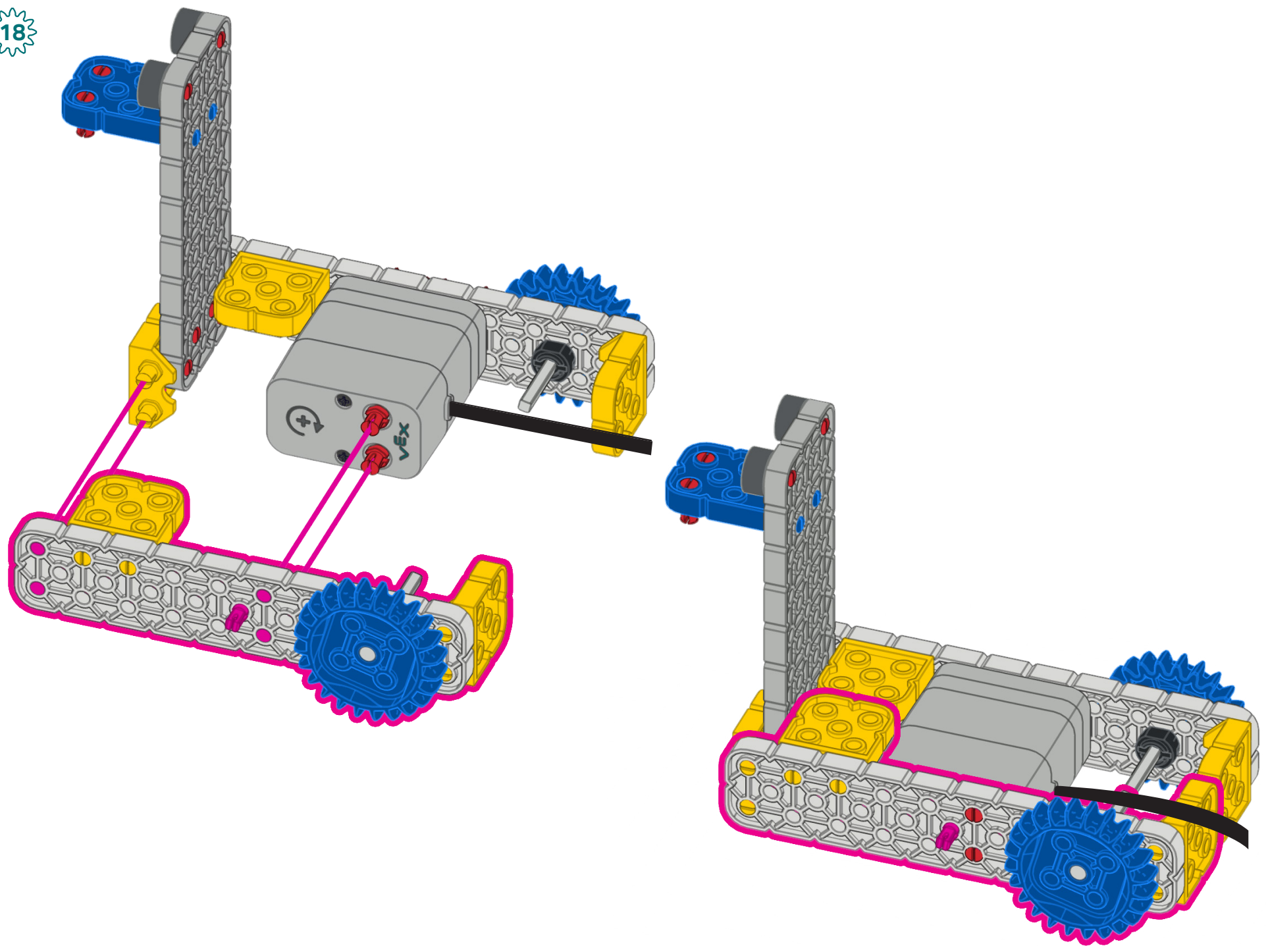


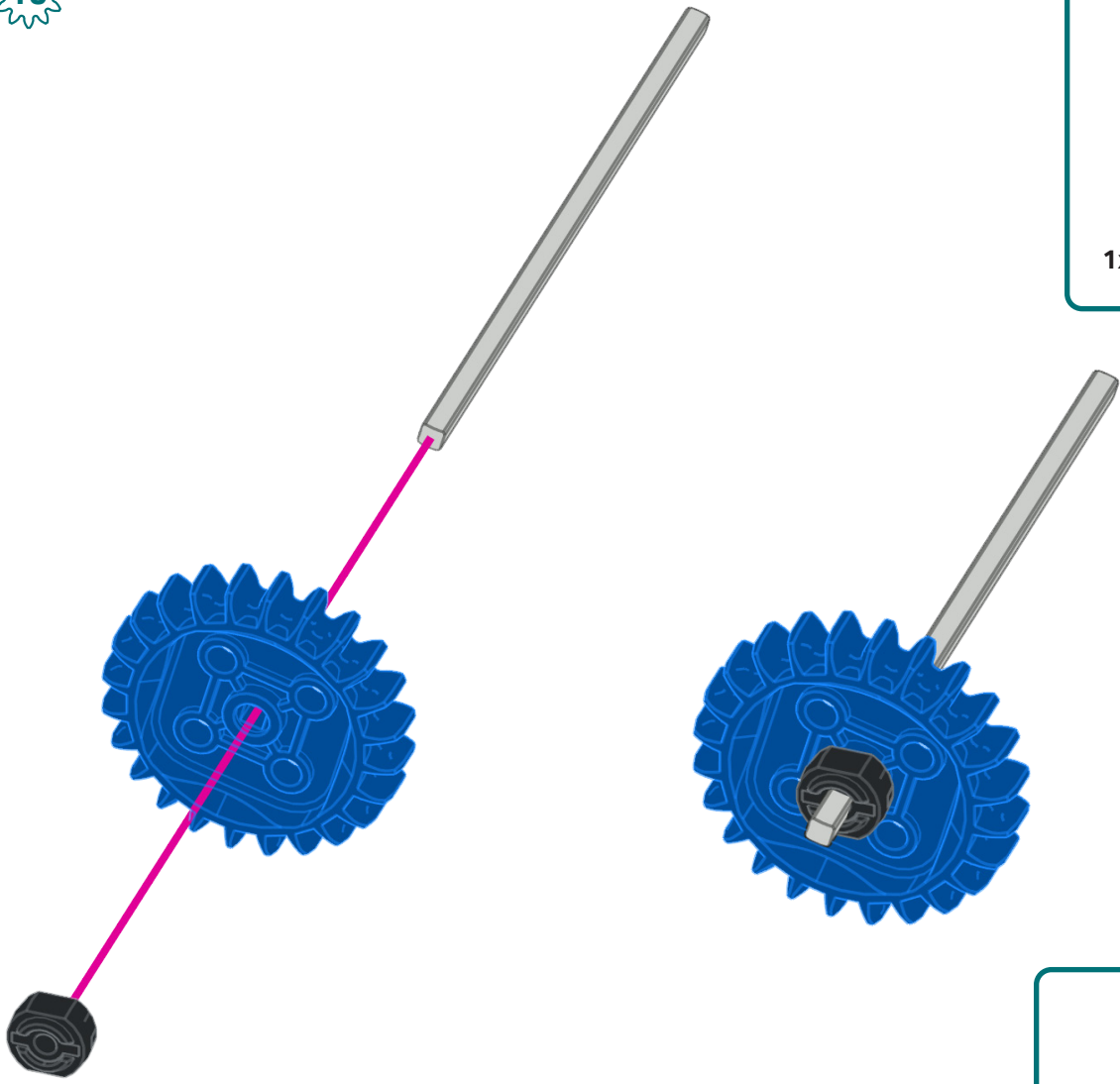
2x Yellow Connector

17



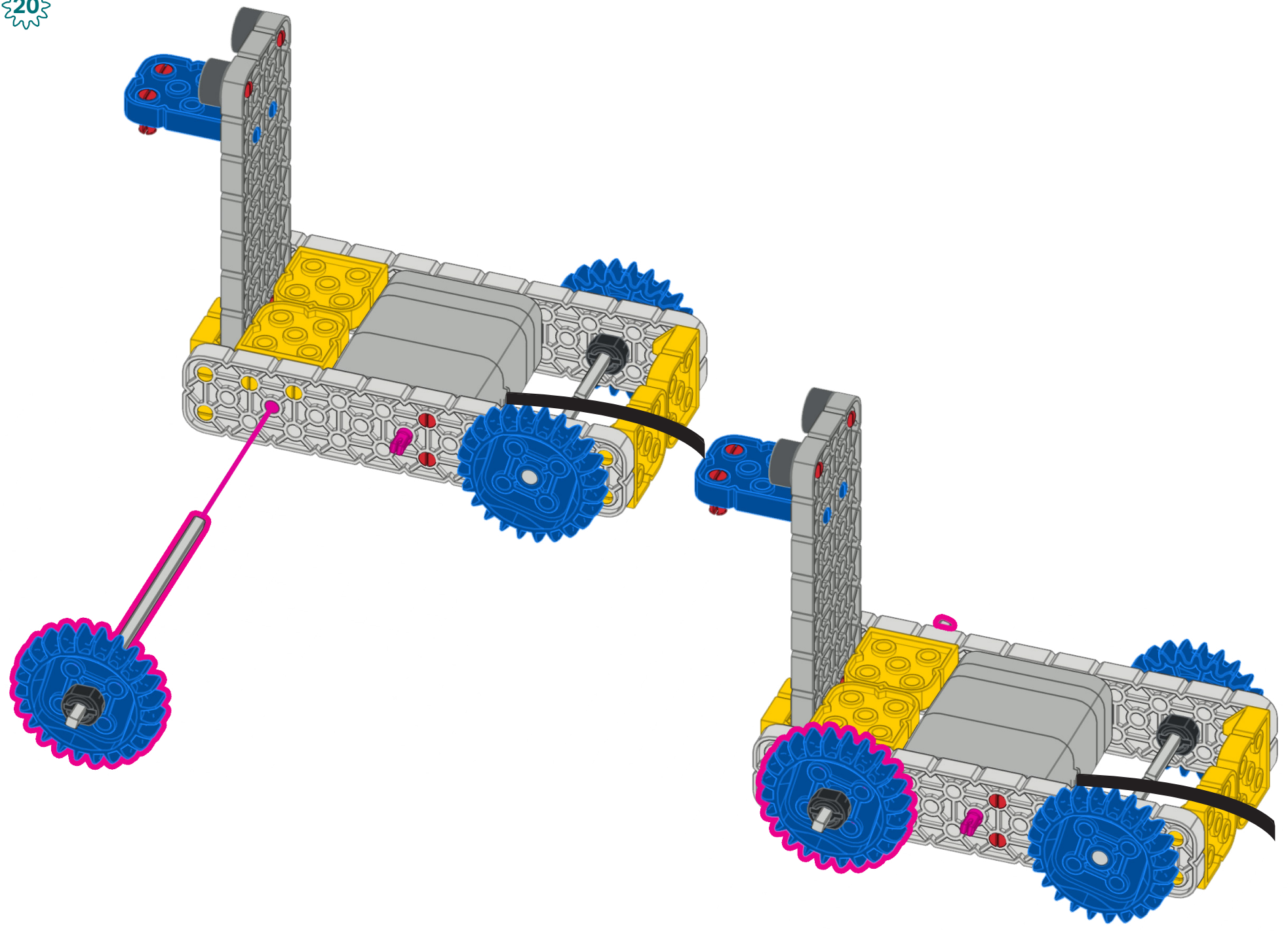
1x Shaft Collar



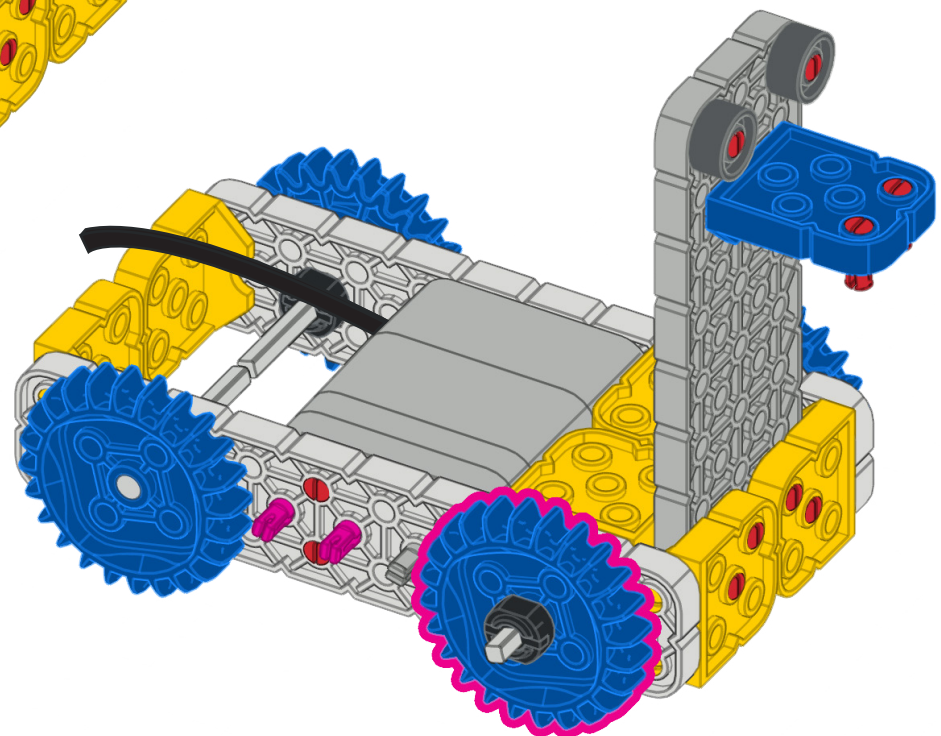
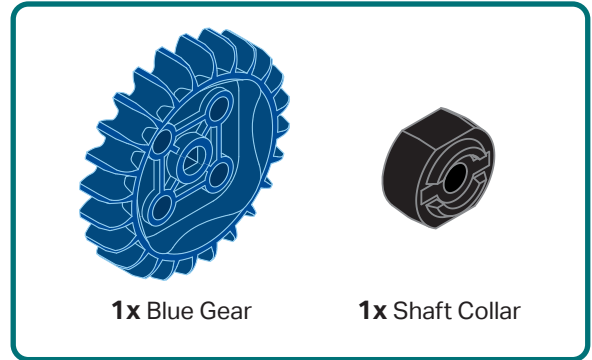
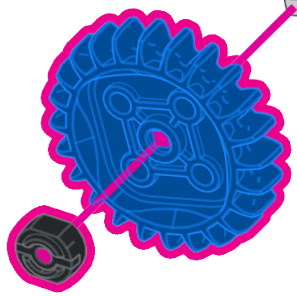
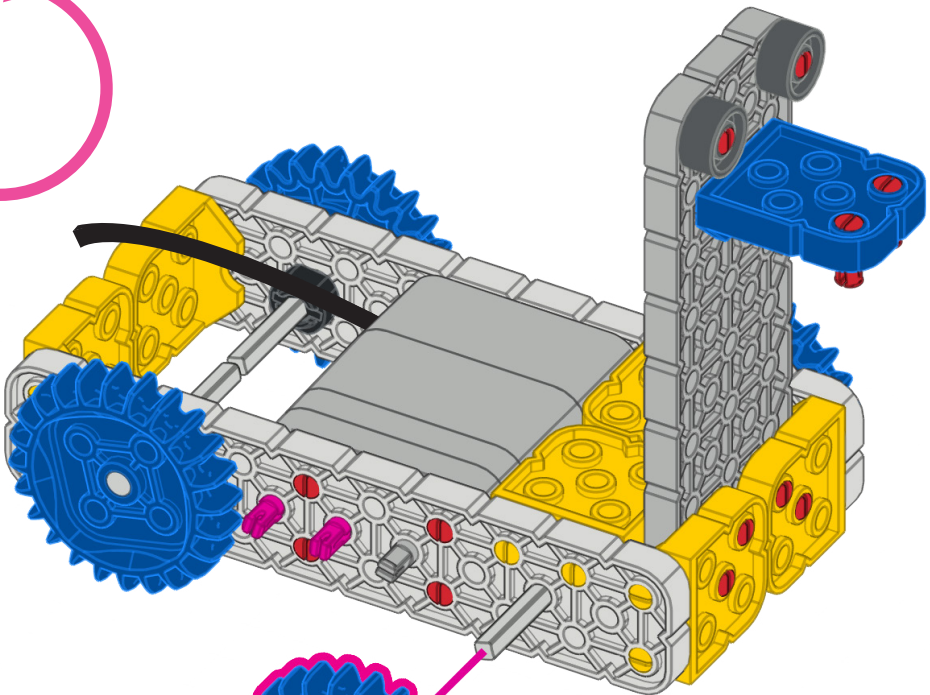
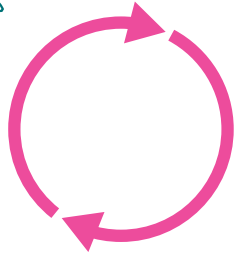


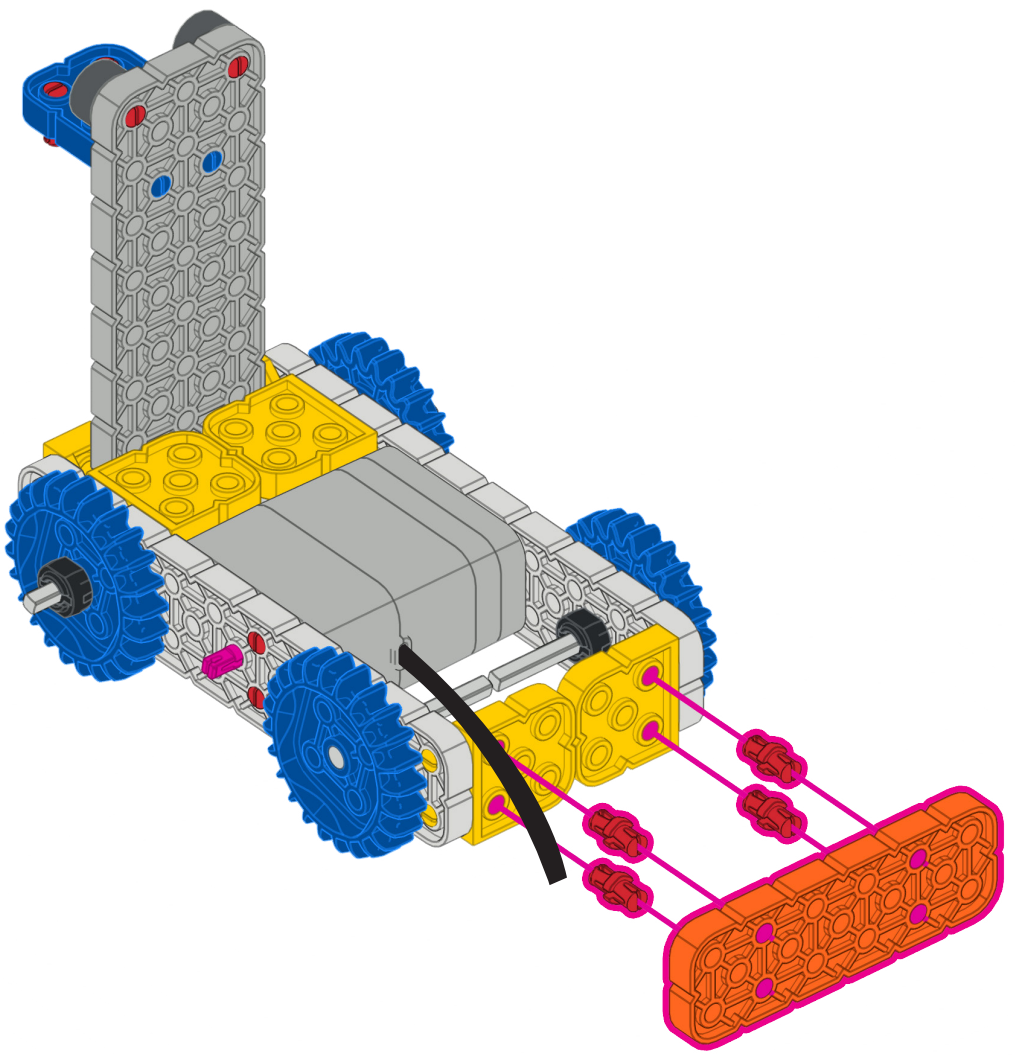
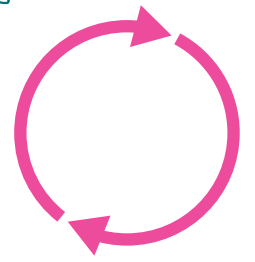
1x Shaft Collar 1x Blue Gear 1x Plain Shaft

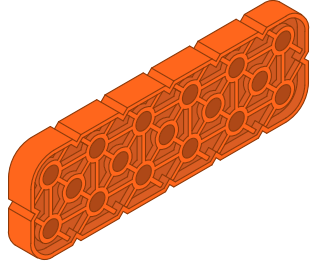
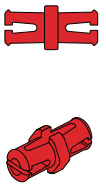
A diagram showing the final assembly of the gear and shaft collar on the plain shaft. The gear is mounted on the shaft, and the shaft collar is positioned behind it. An eye icon is shown to the right, indicating the viewing direction for the final assembly.

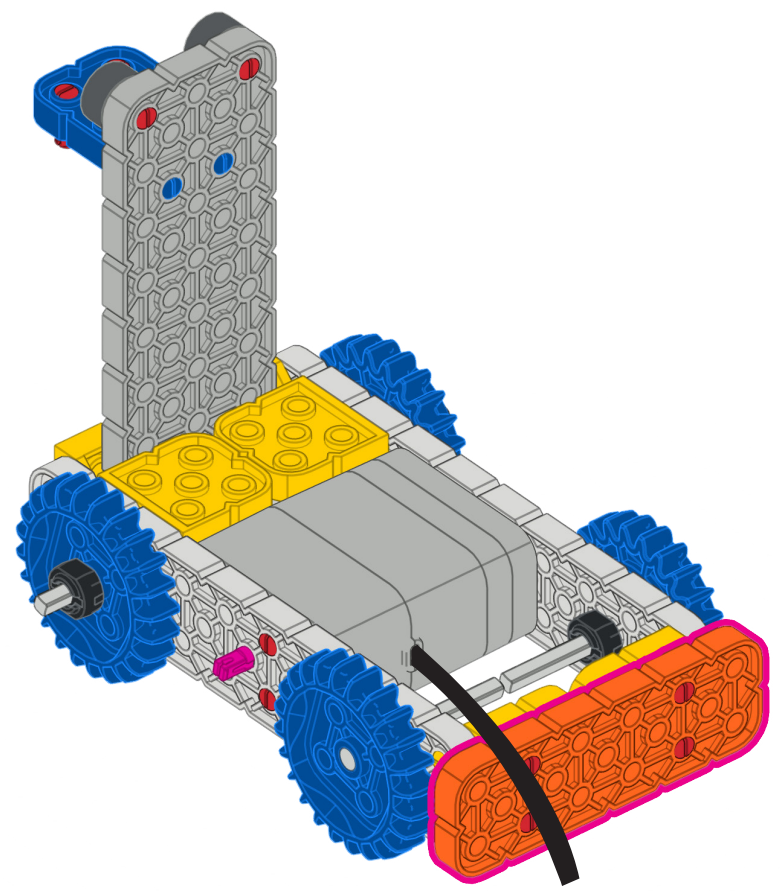


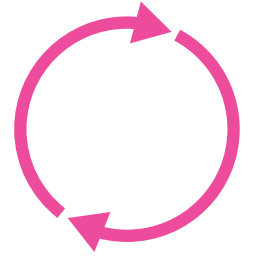
21



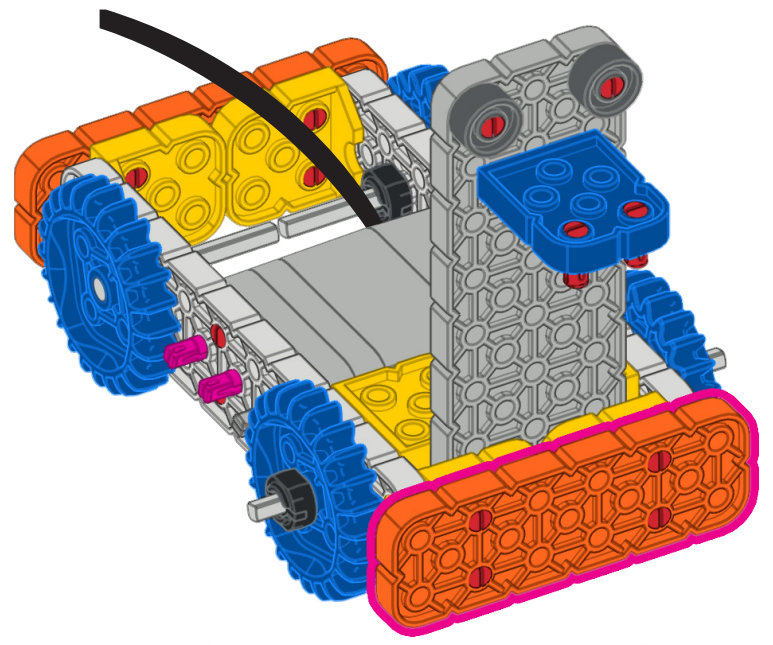
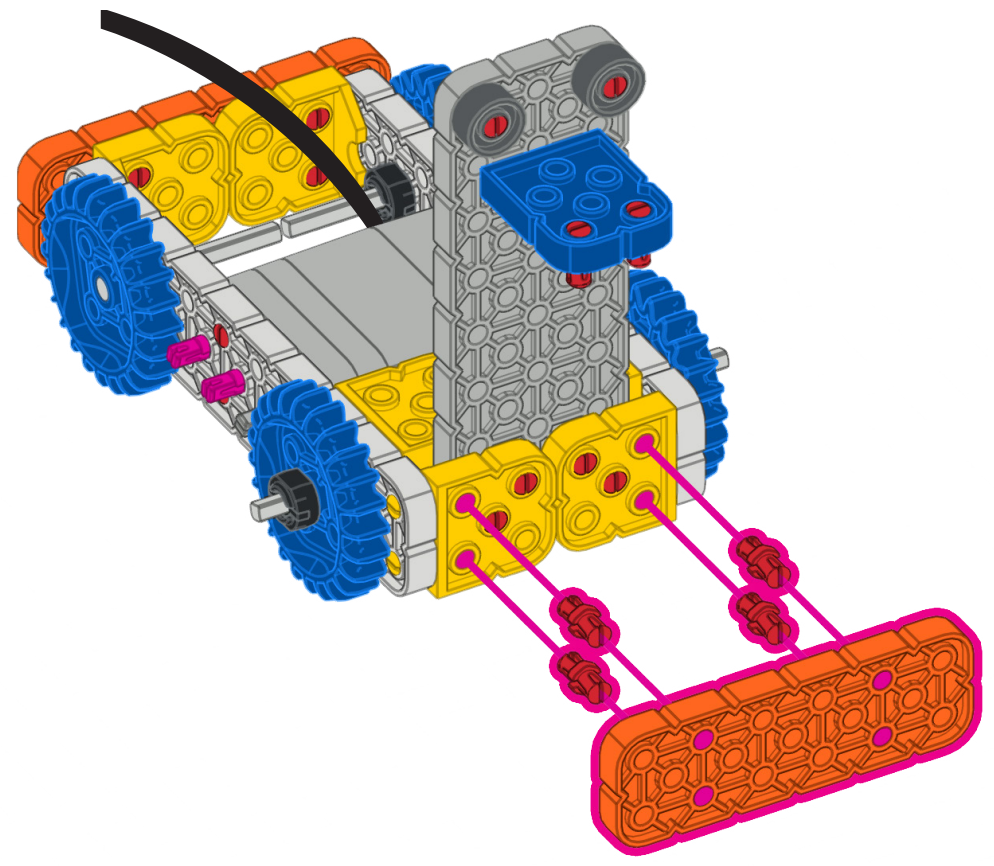


| | |
|--|---|
|  |  |
| 1x Orange Large Beam | 4x Red Pin |

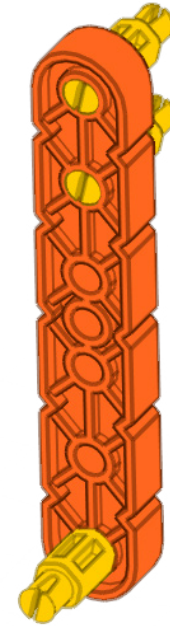
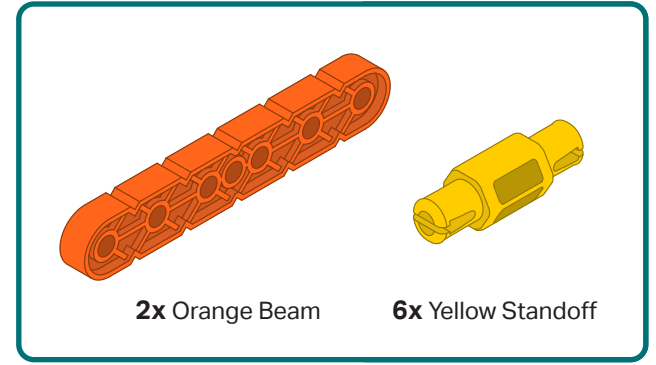
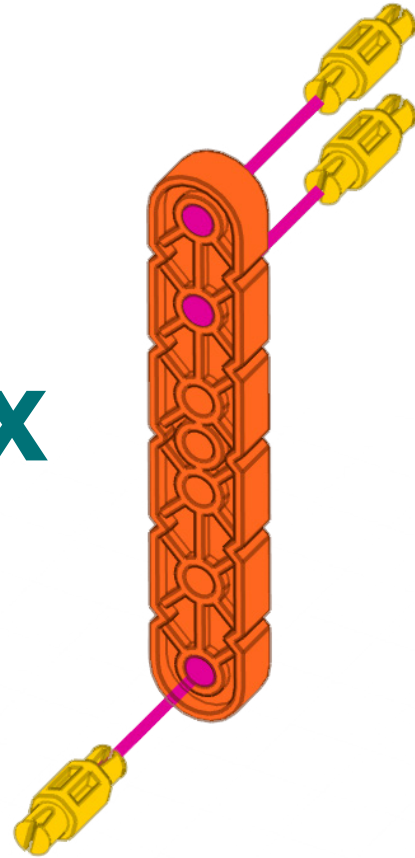


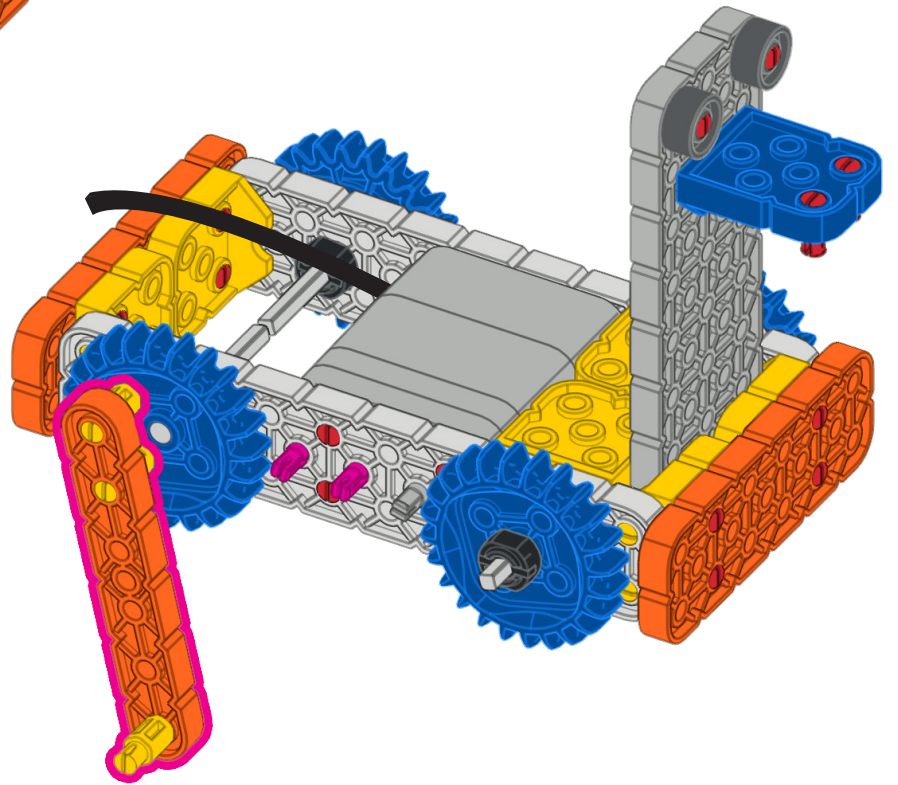
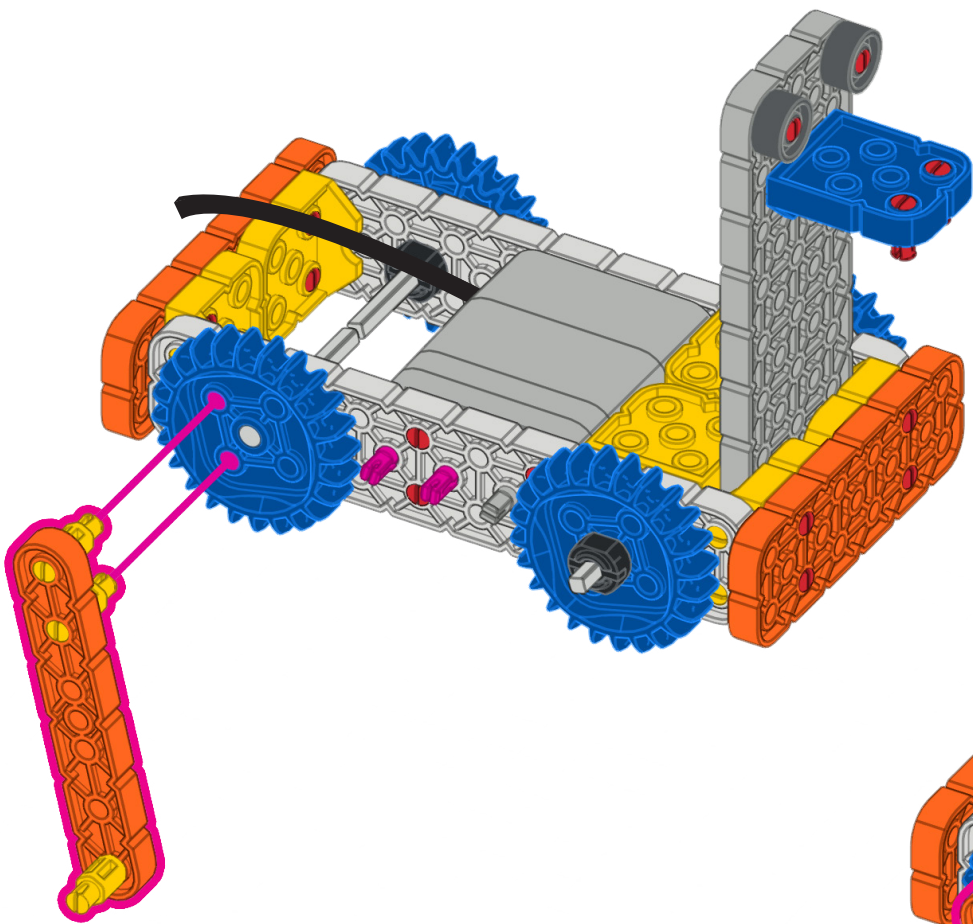


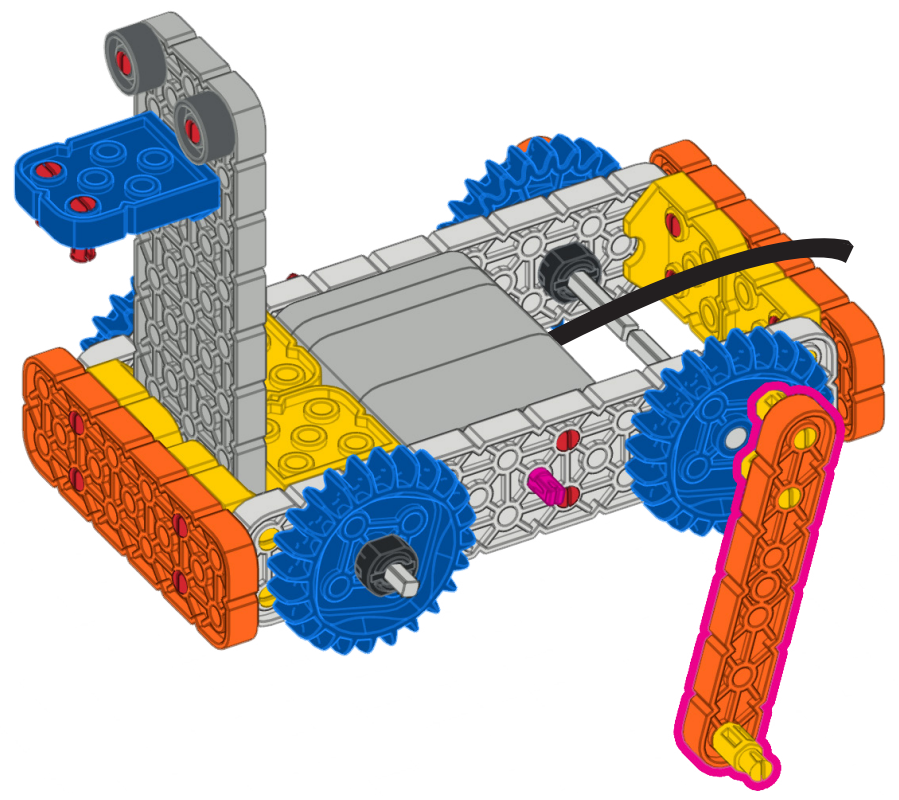
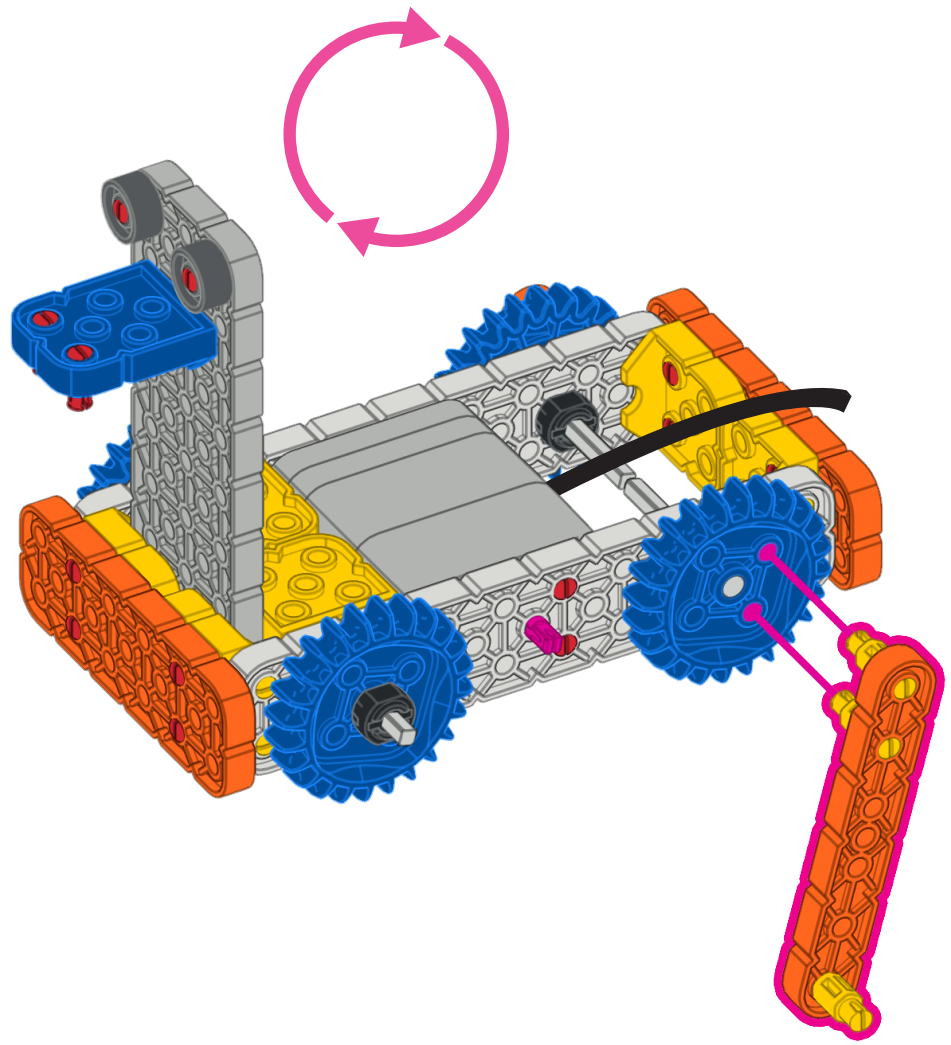
1x Orange Large Beam 4x Red Pin



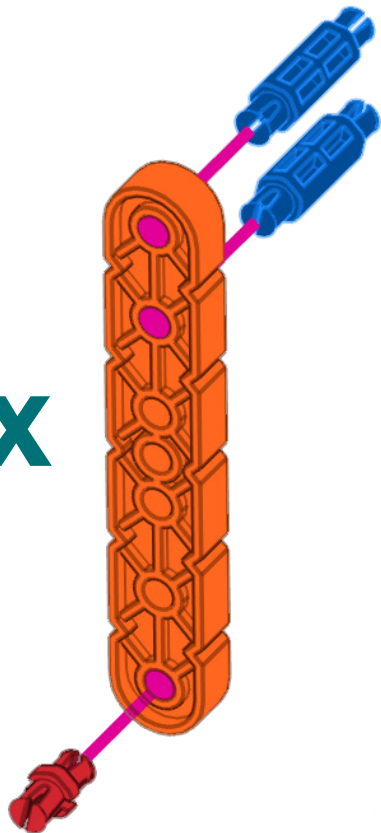
2x

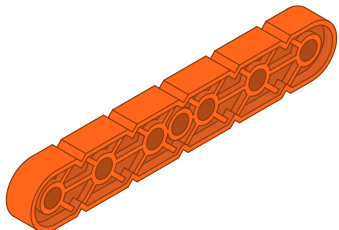
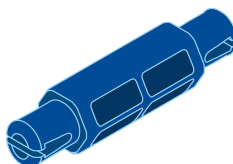



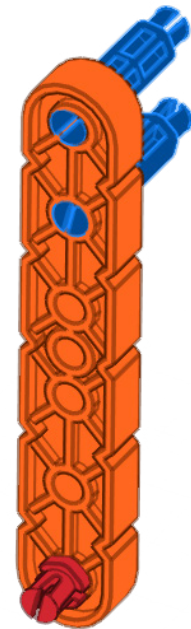


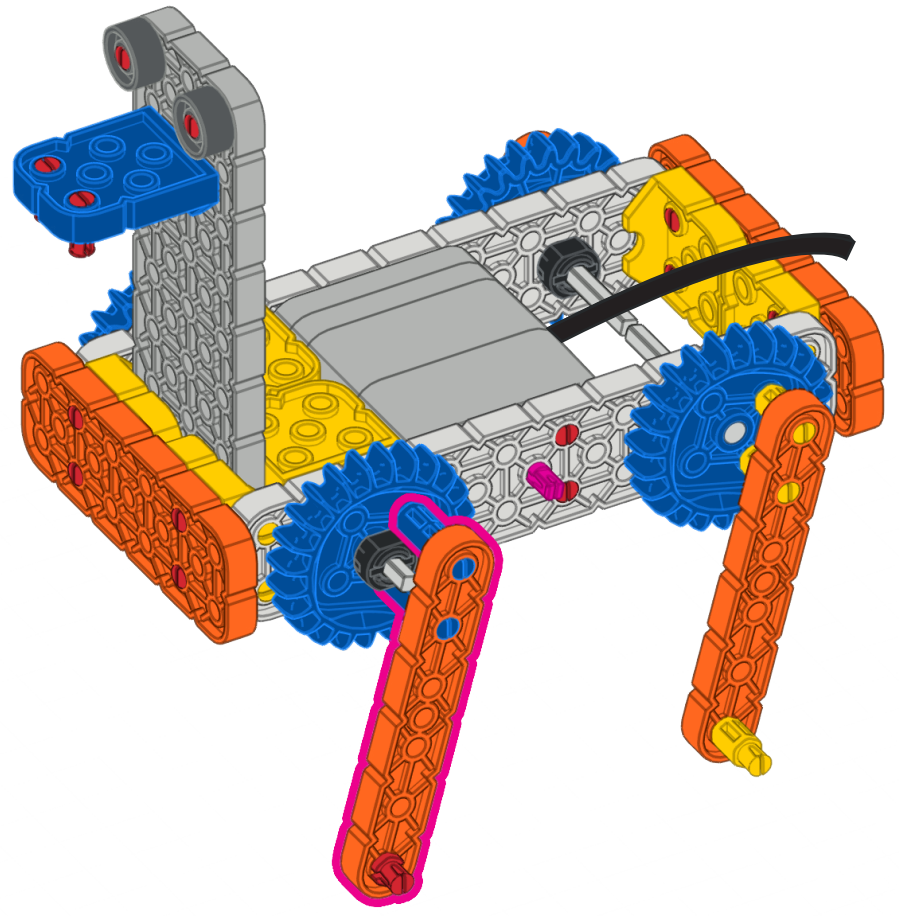
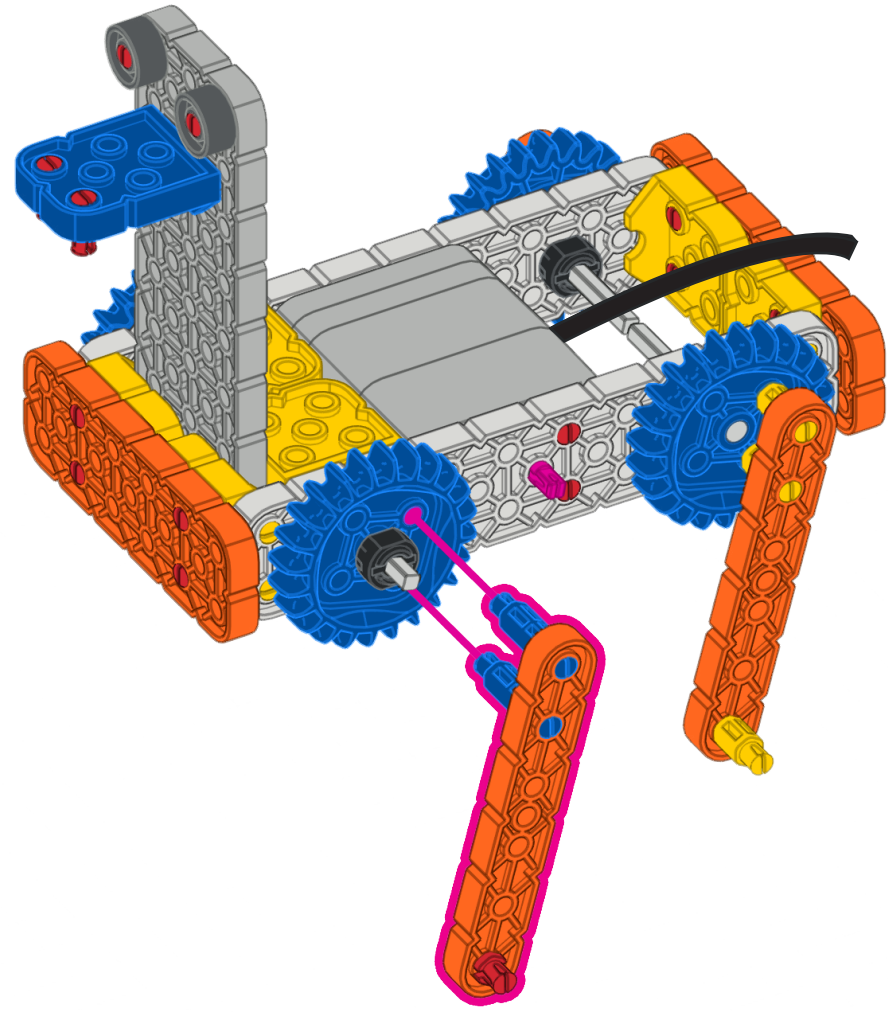


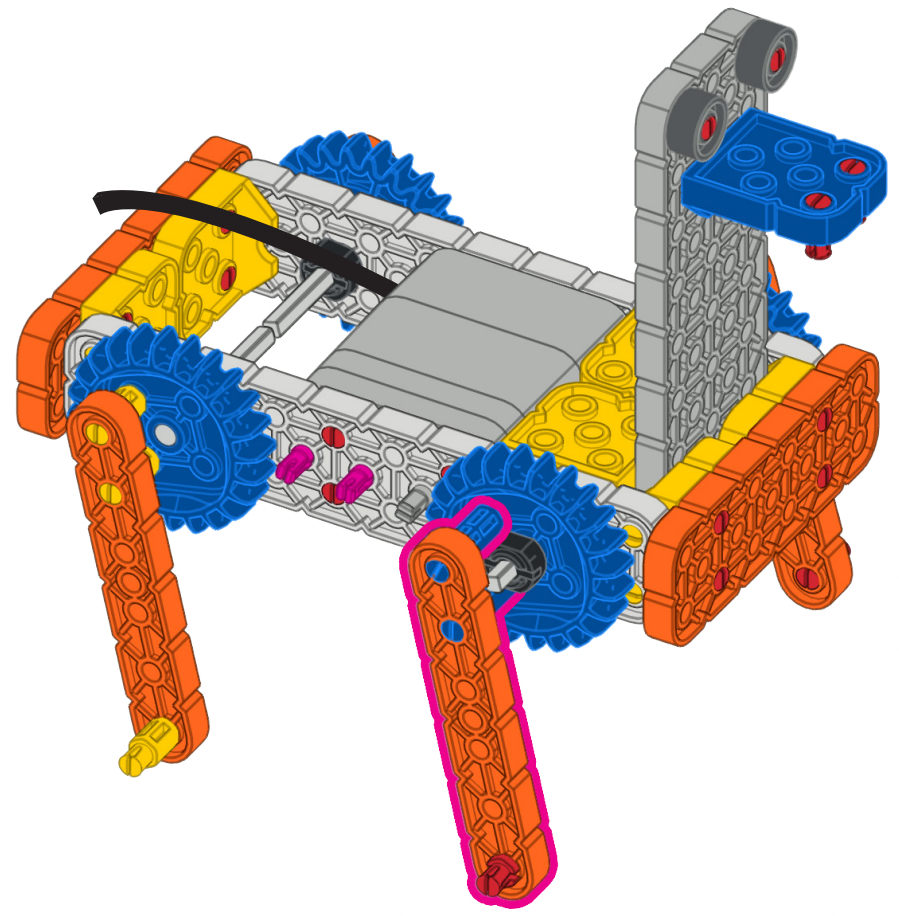
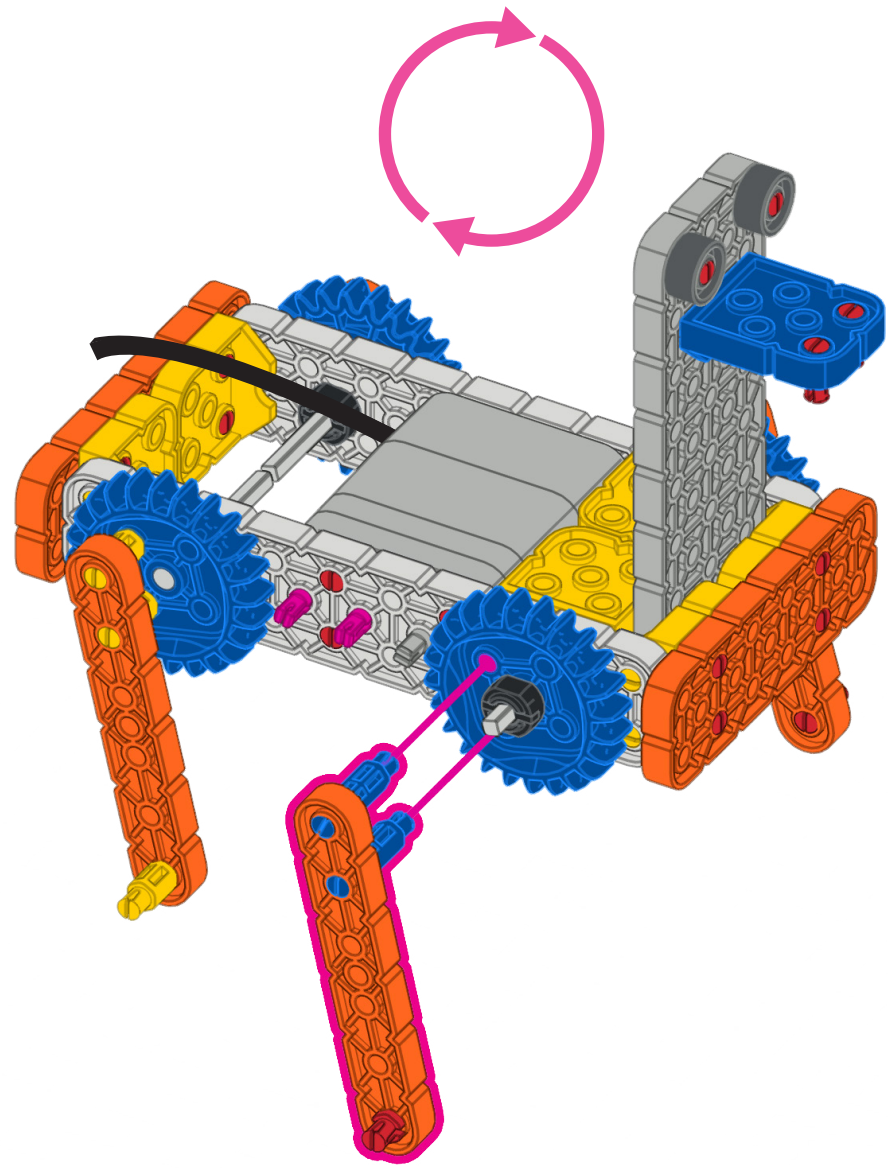
2x

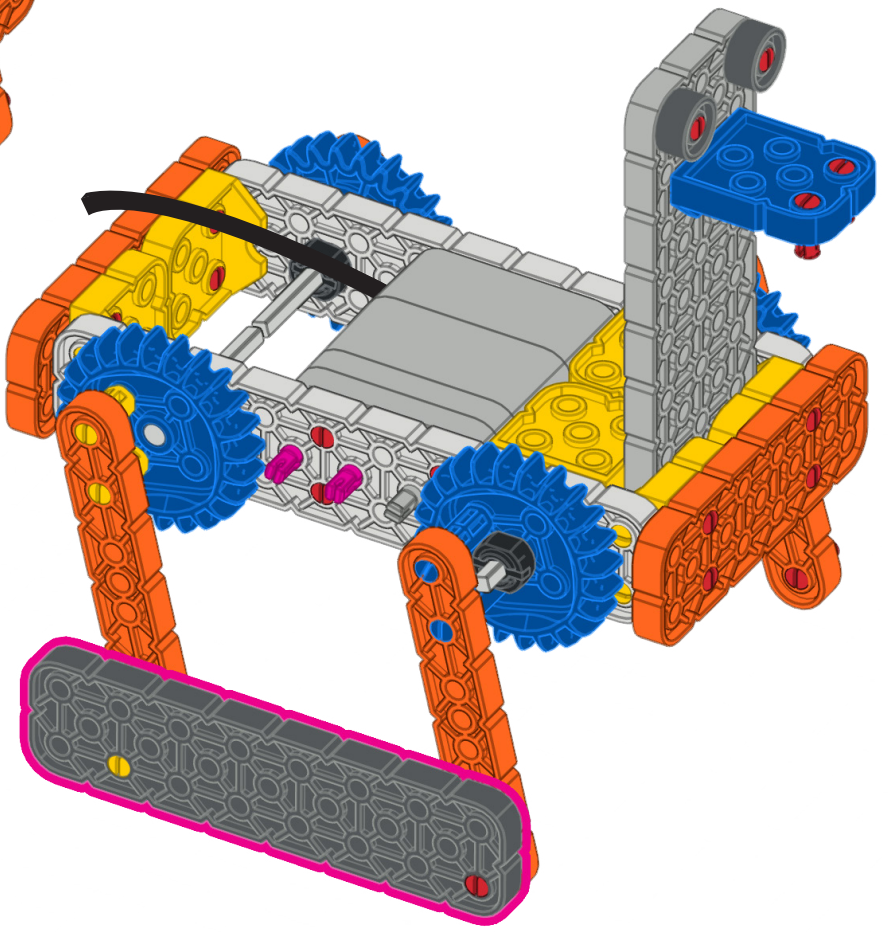
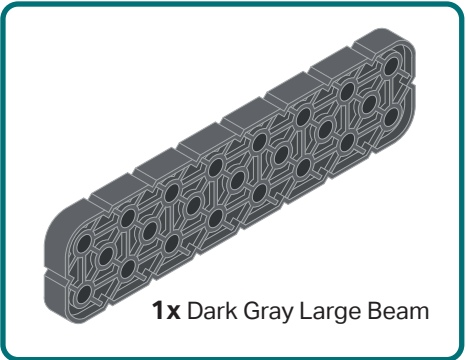
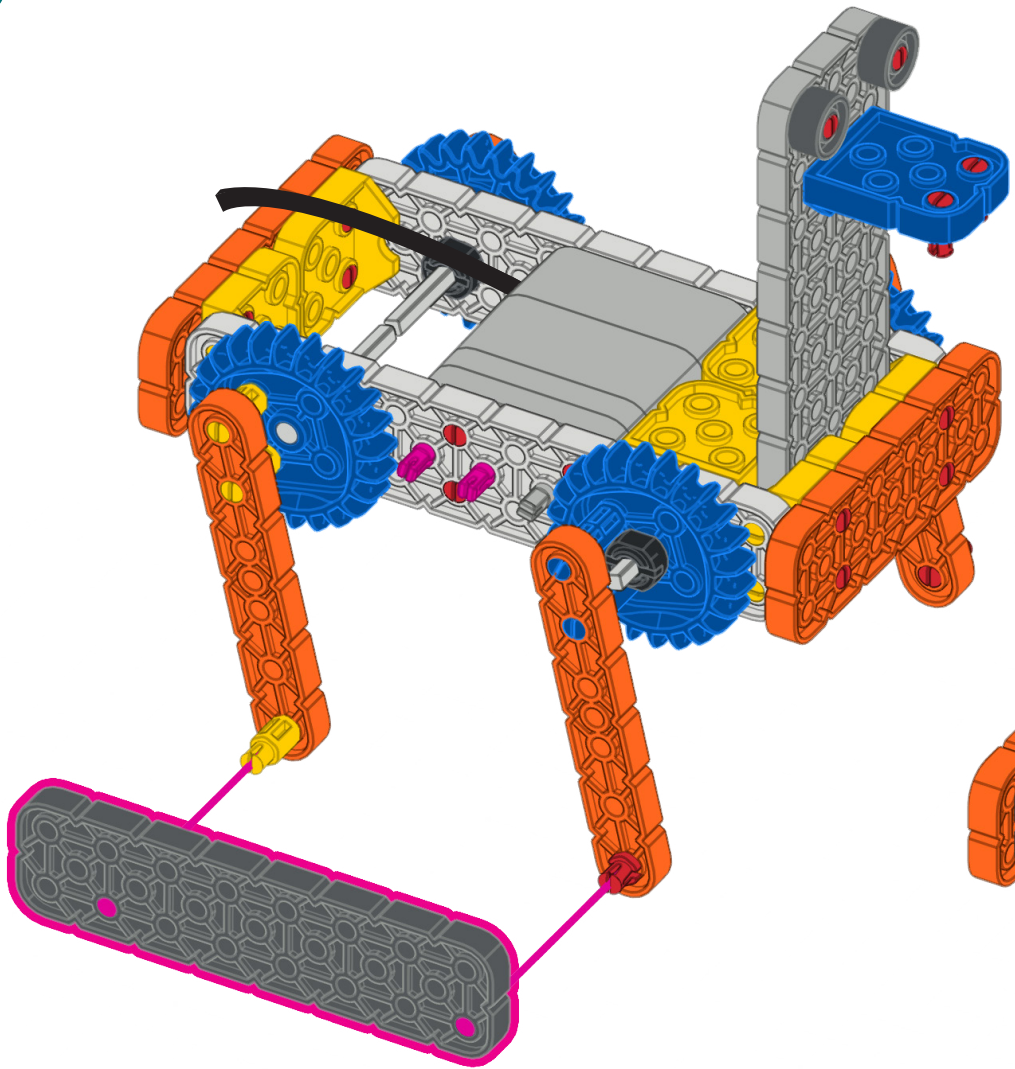


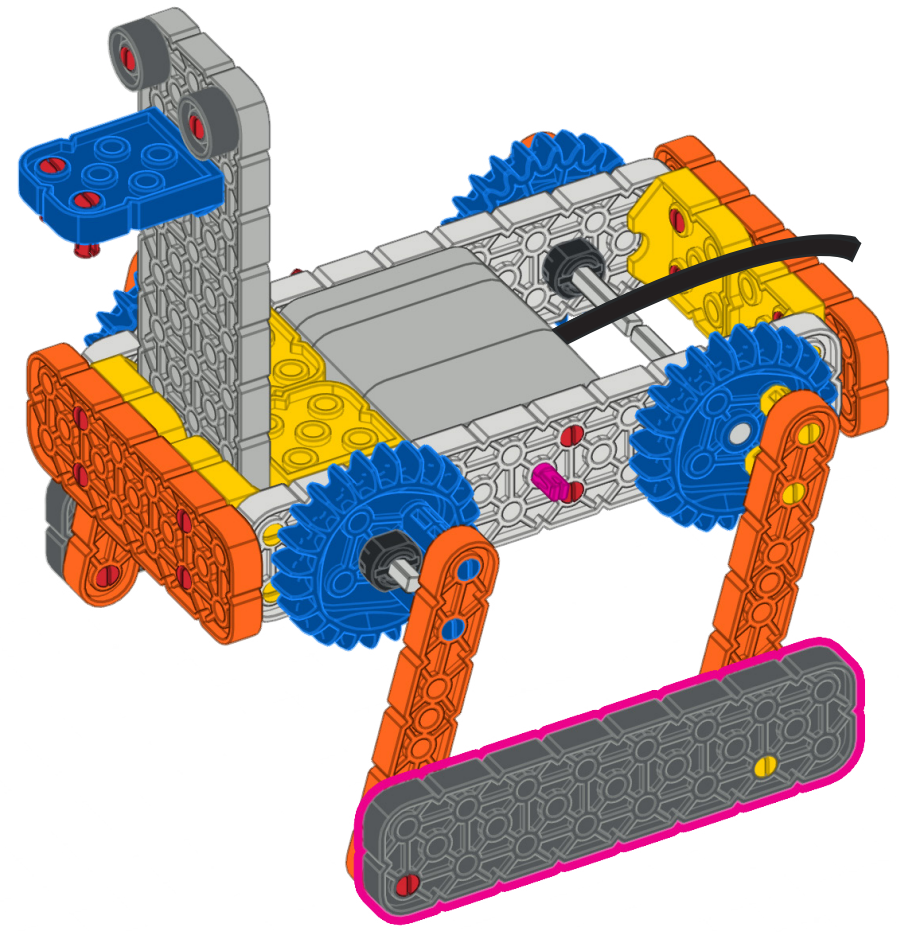
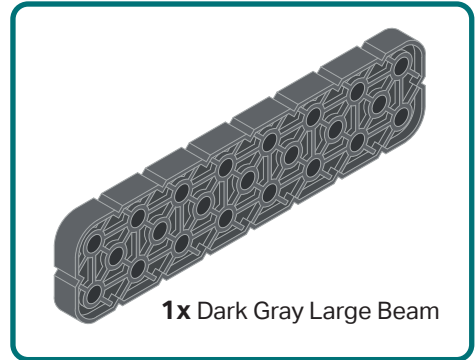
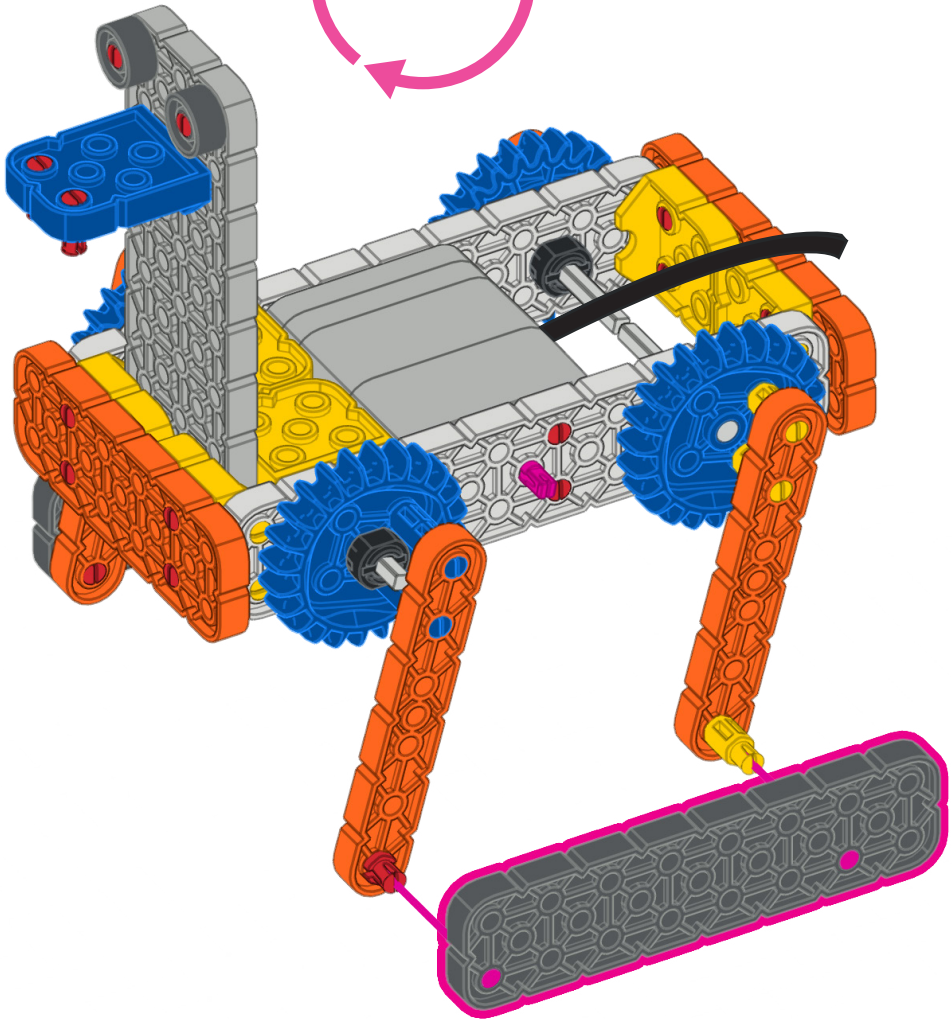
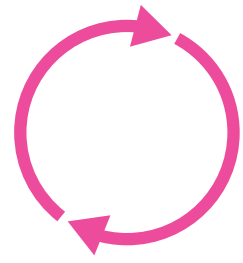
| | | |
|---|---|---|
|  |  |  |
| 2x Orange Beam | 4x Blue Standoff | 2x Red Pin |

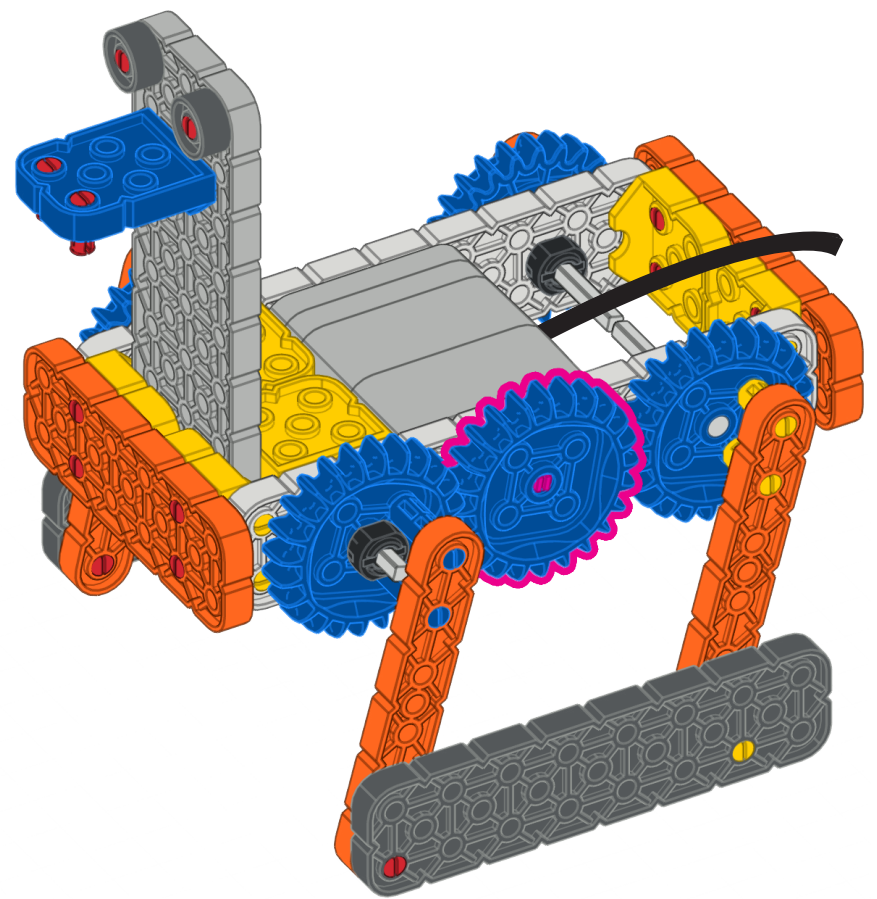
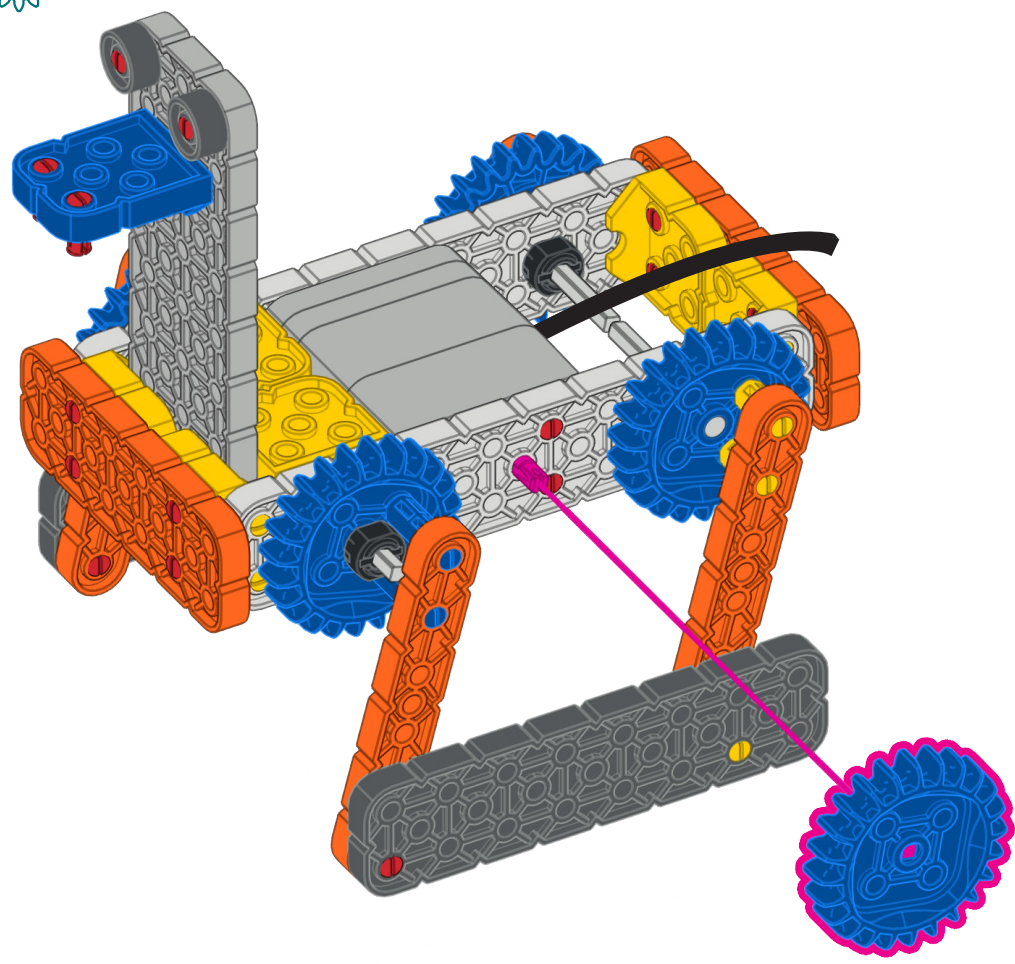


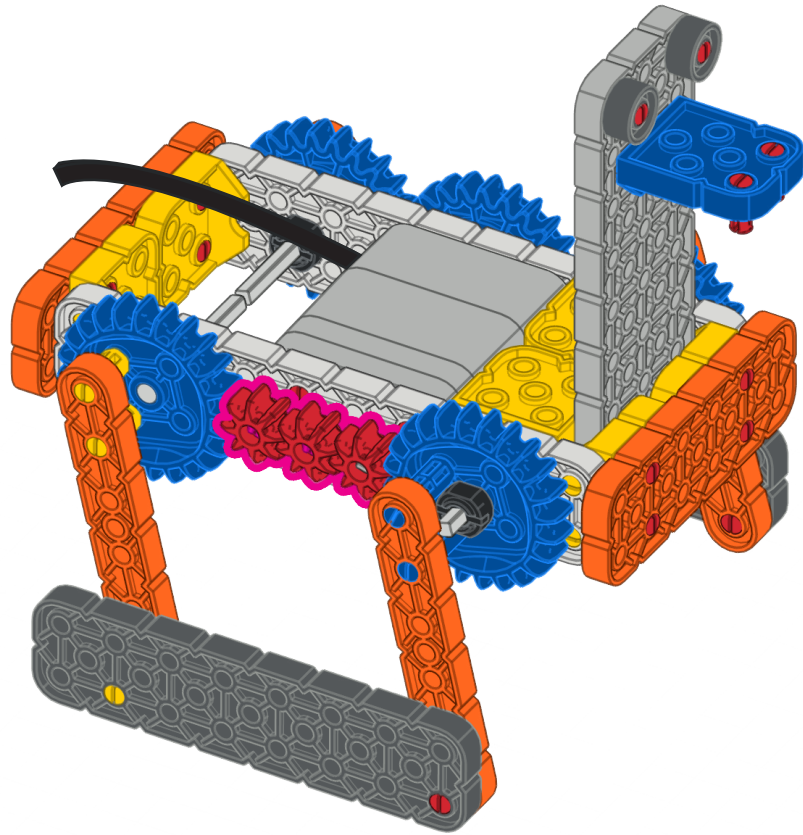
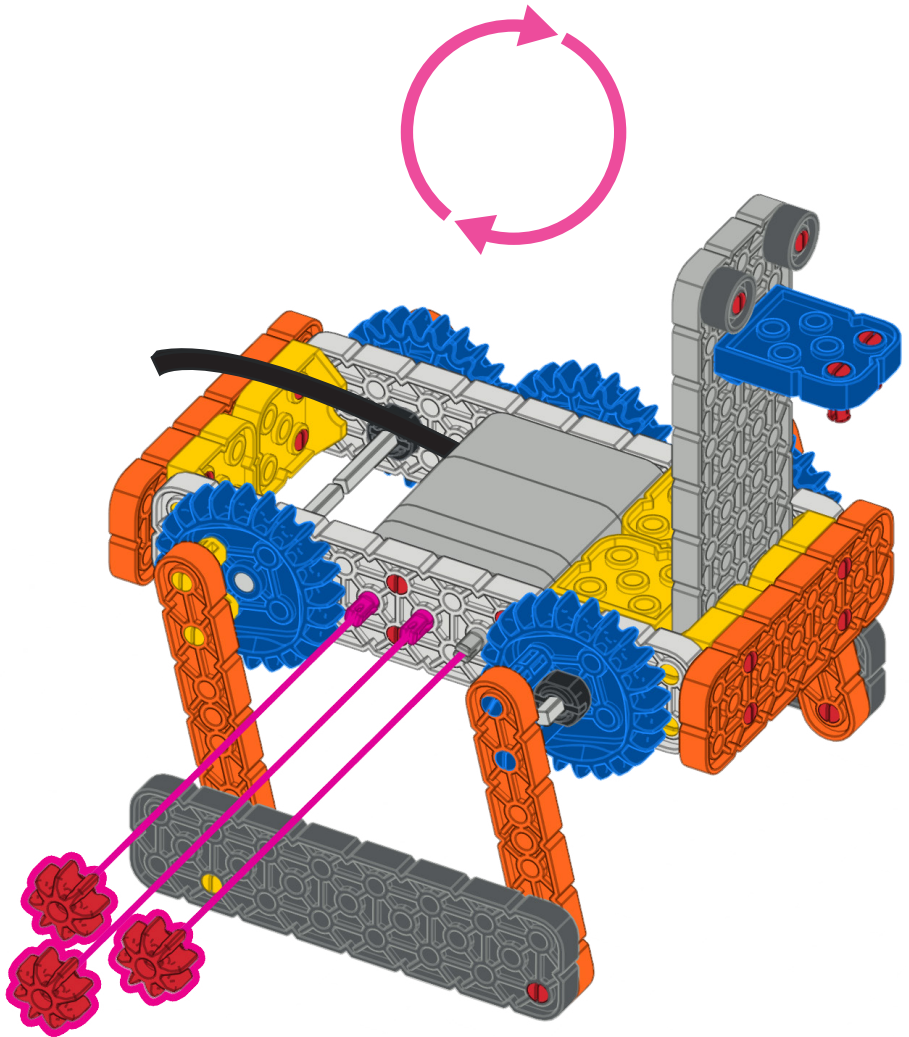


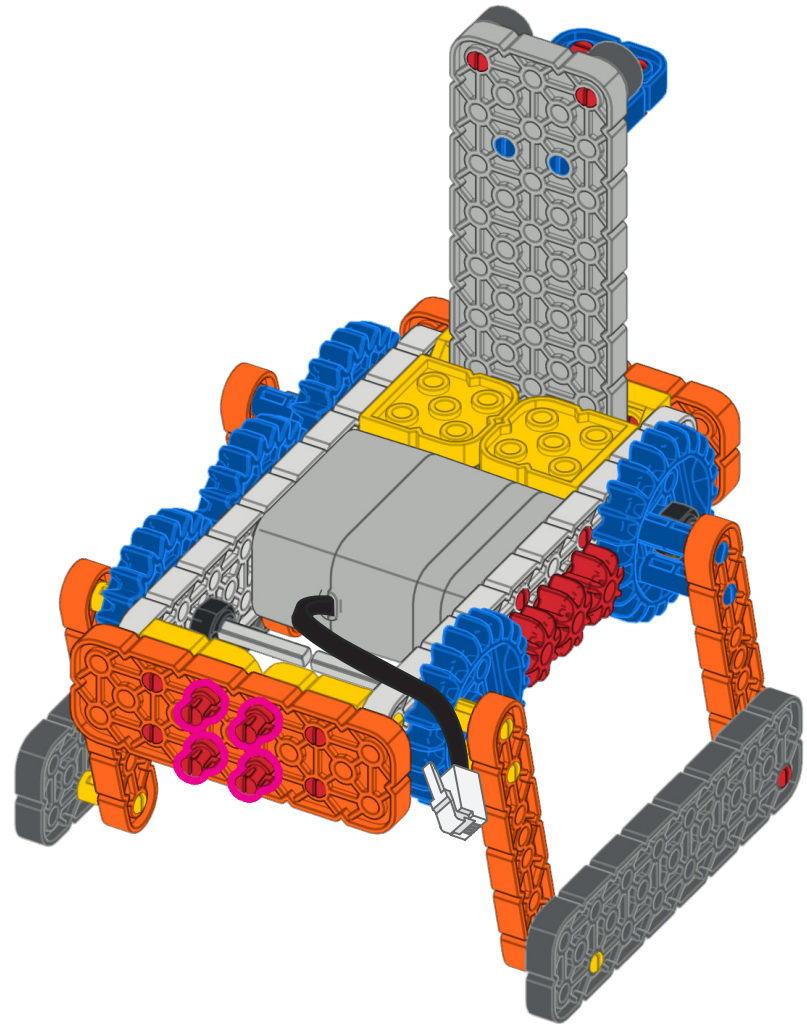
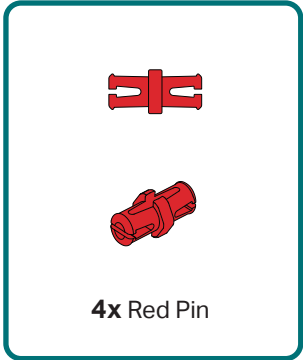
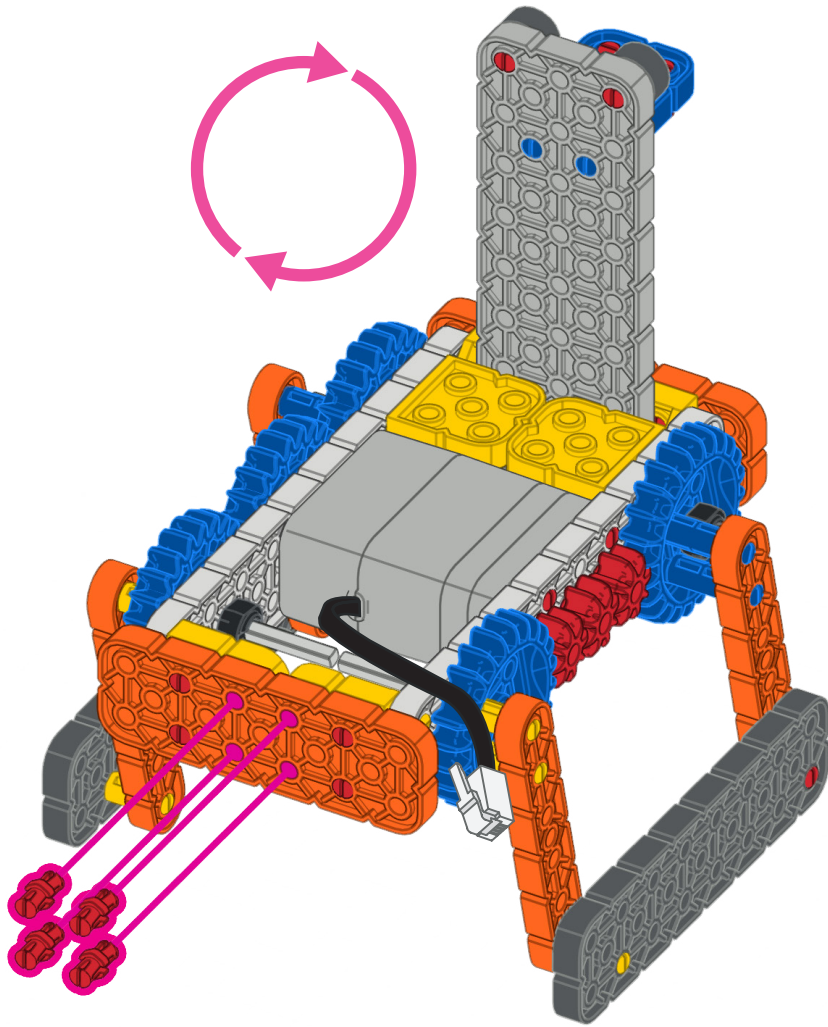


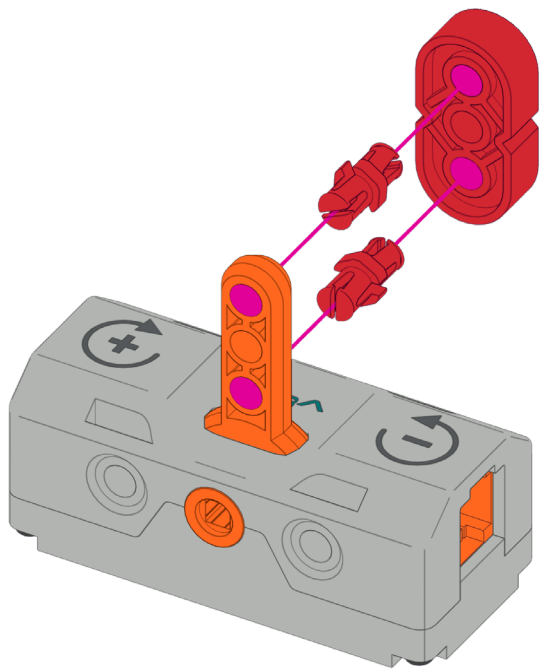




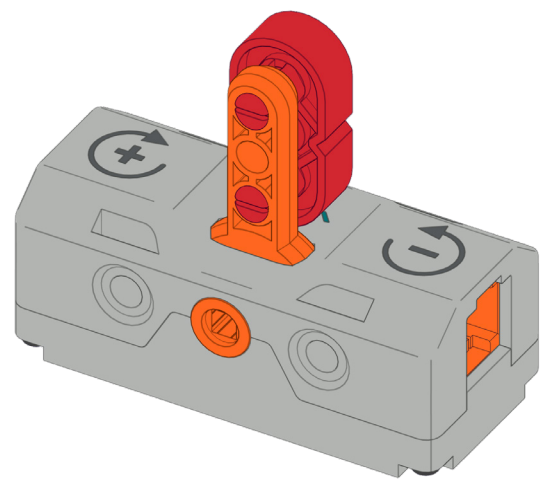


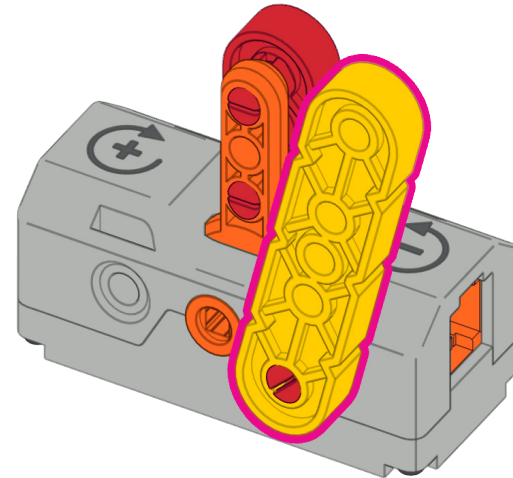
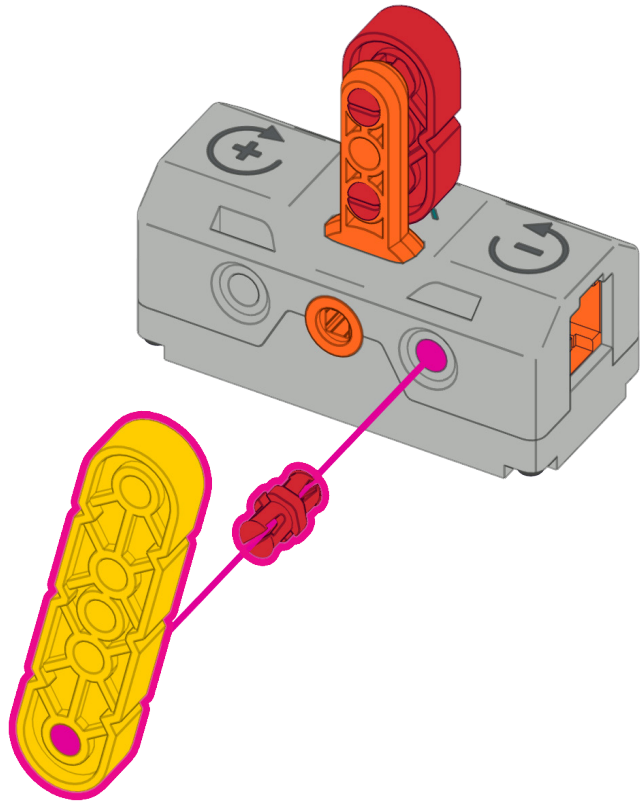
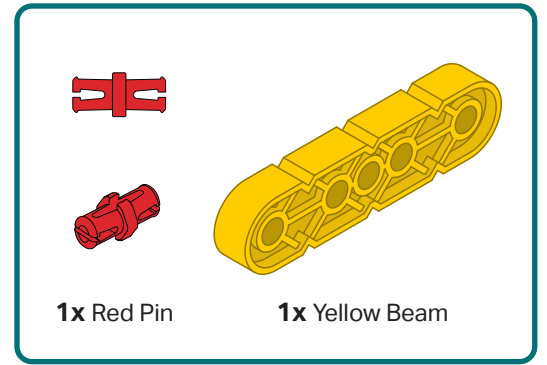


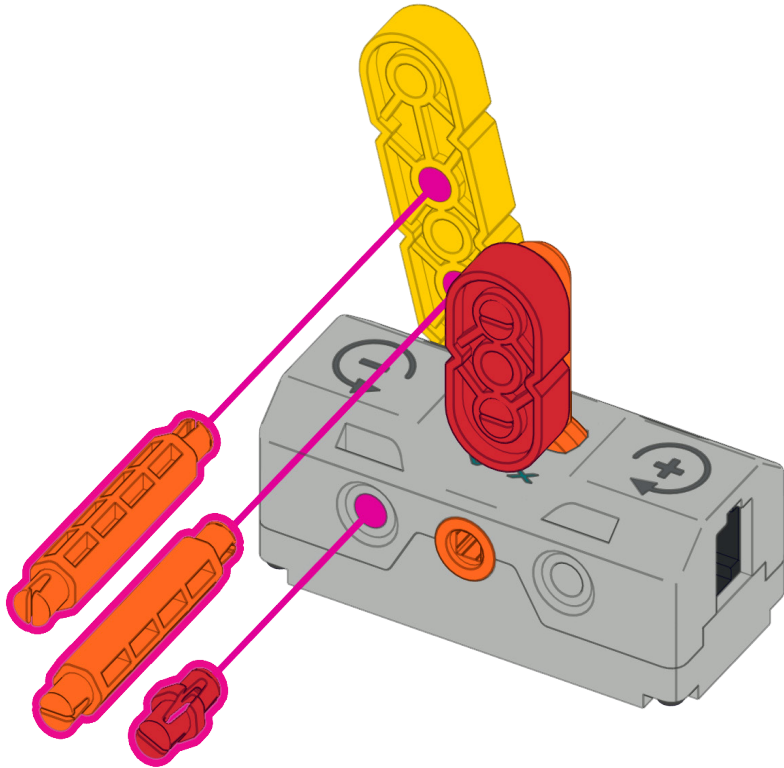




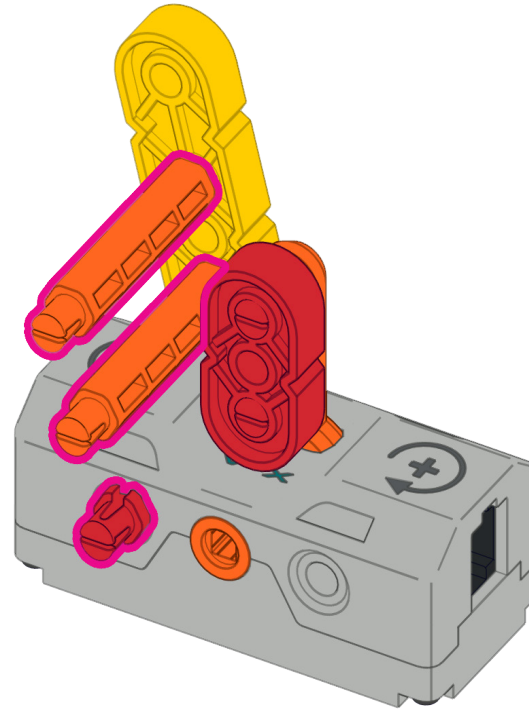
1x Red Beam 2x Red Pin 1x Switch

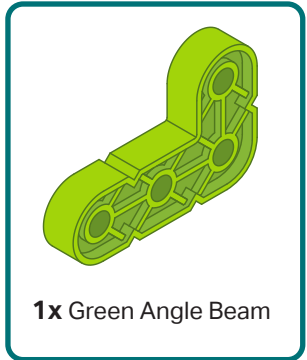
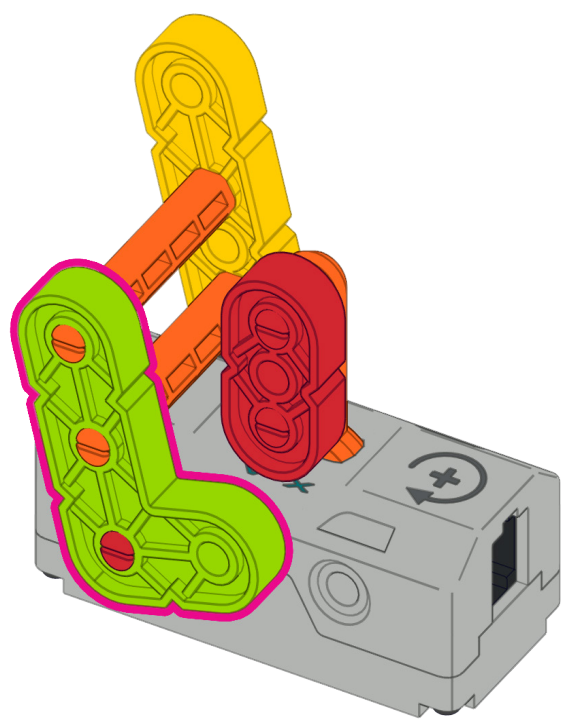
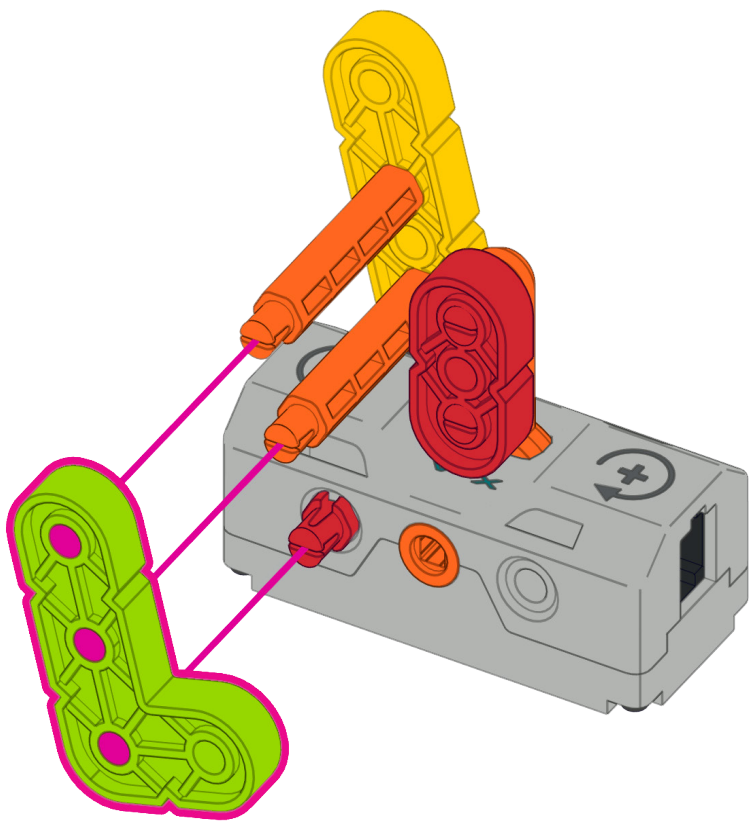
A parts list diagram enclosed in a teal border. It shows three items: a red beam with two circular holes, two red pins of different lengths, and a grey switch component with an orange vertical beam. Below each item is its quantity: '1x Red Beam', '2x Red Pin', and '1x Switch'.



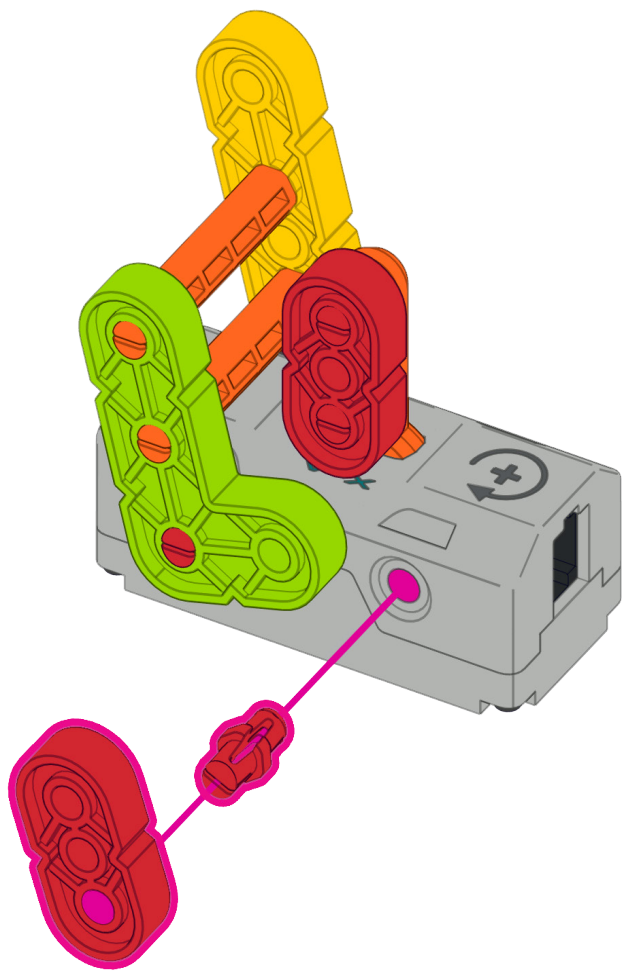


1x Red Pin 2x Orange Standoff

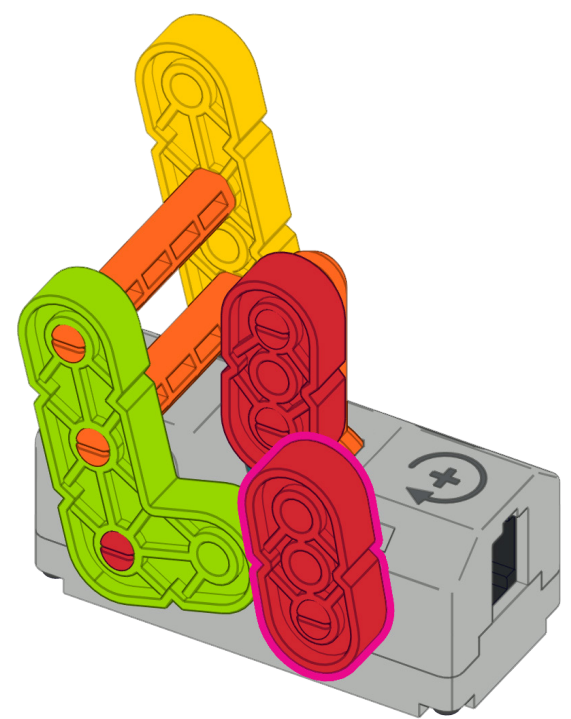


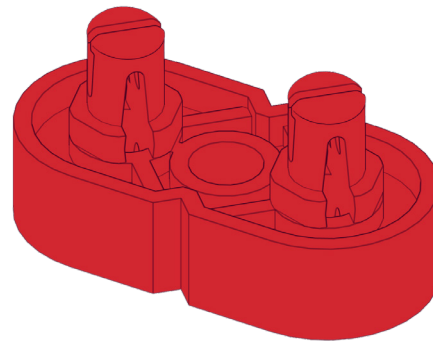
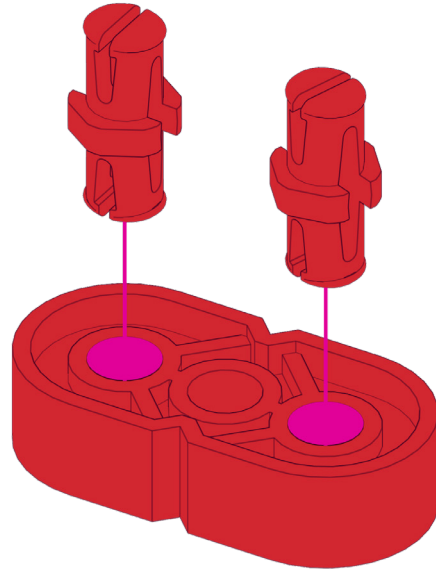


1x Green Angle Beam



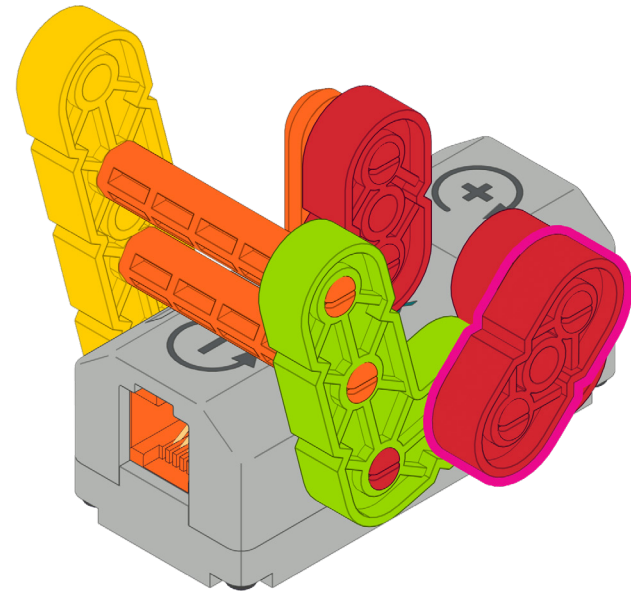
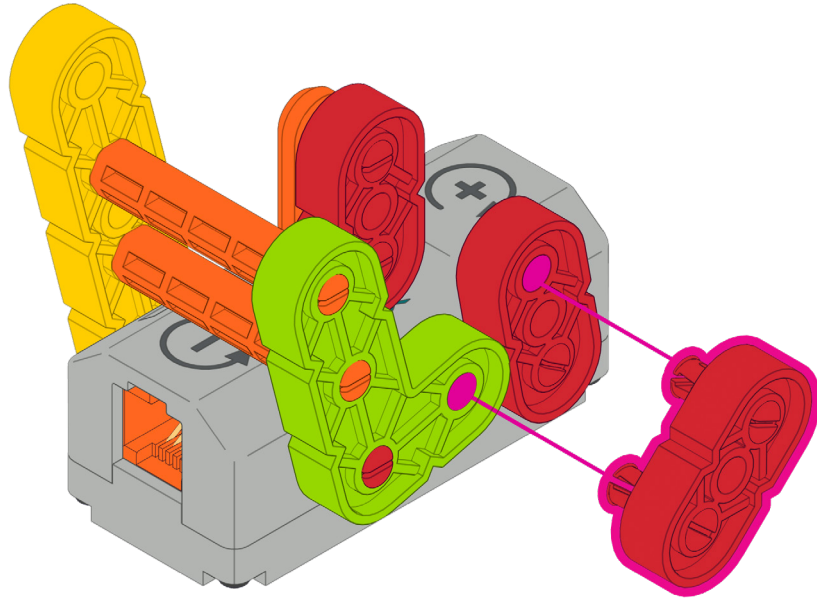
1x Red Pin 1x Red Beam

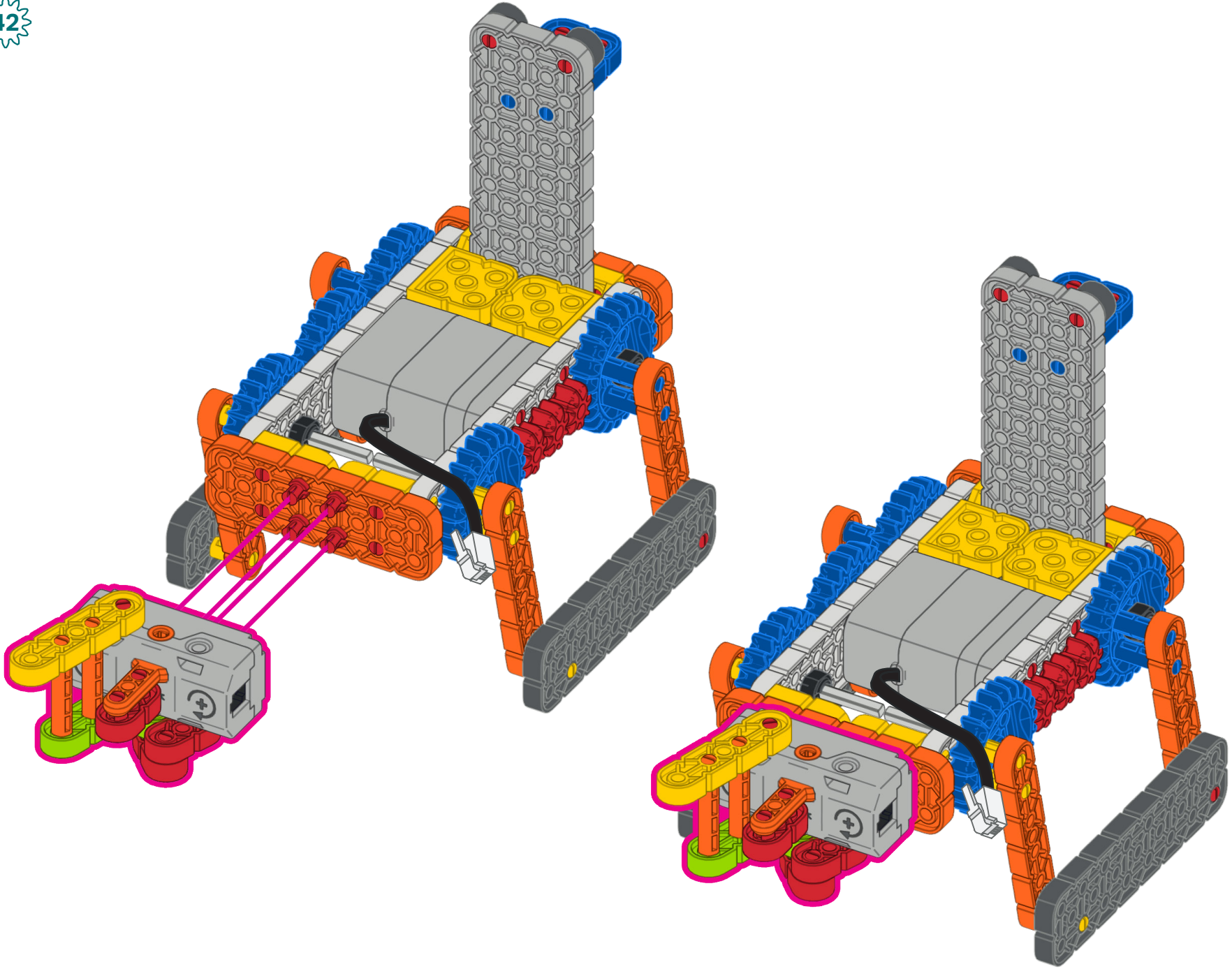


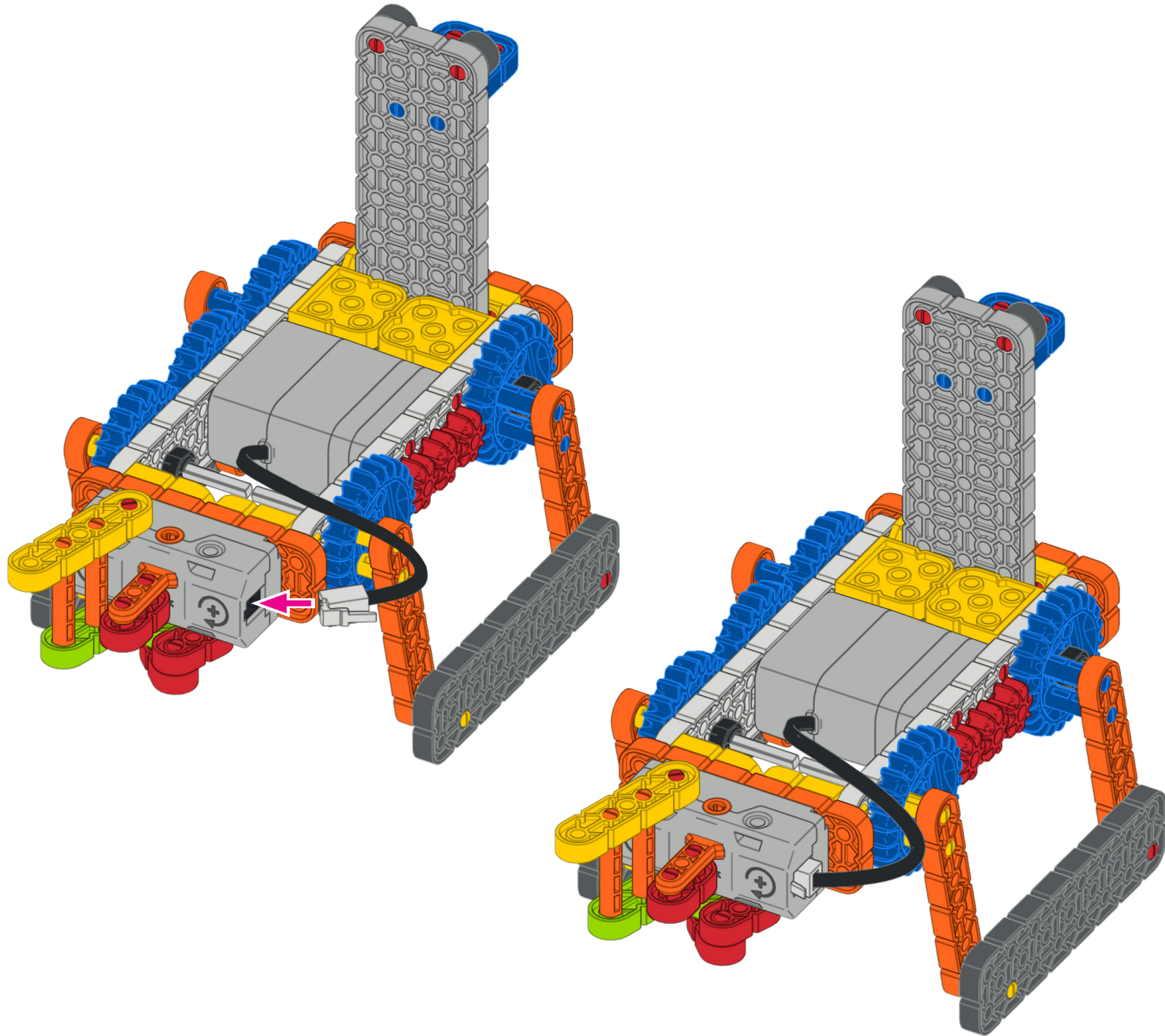


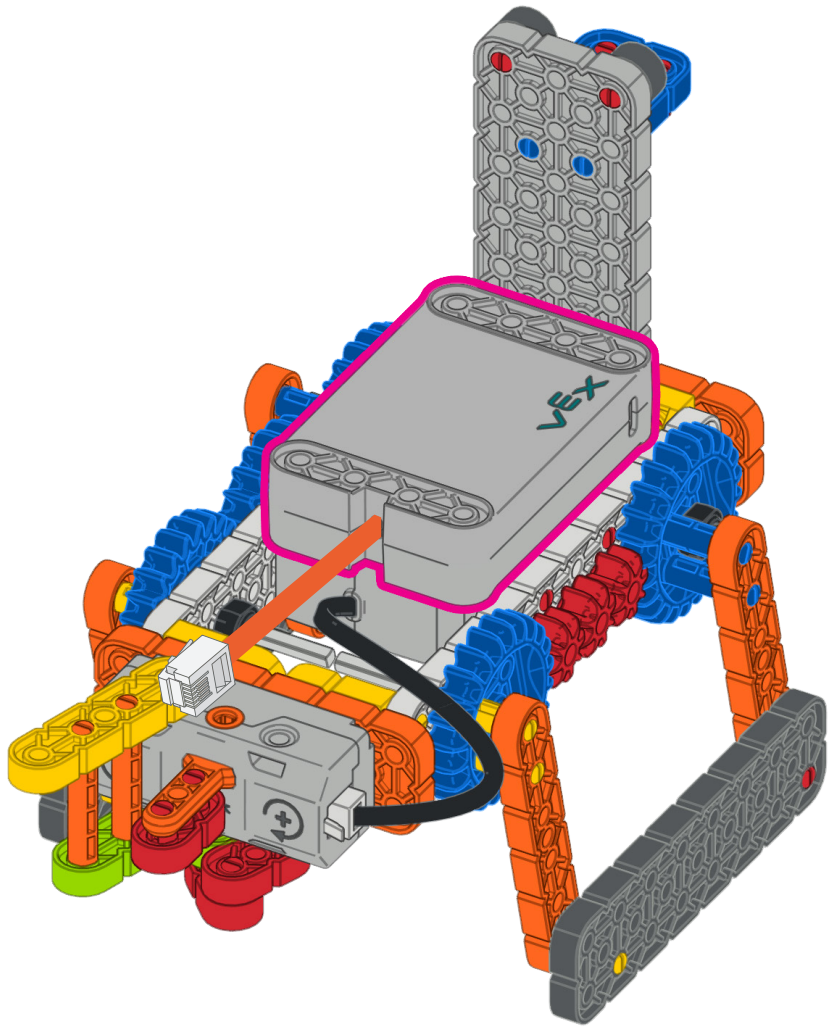
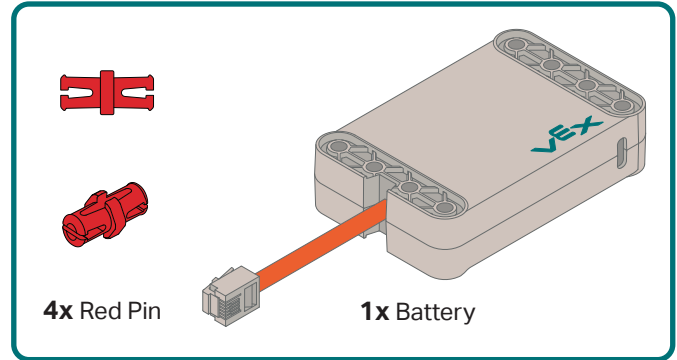
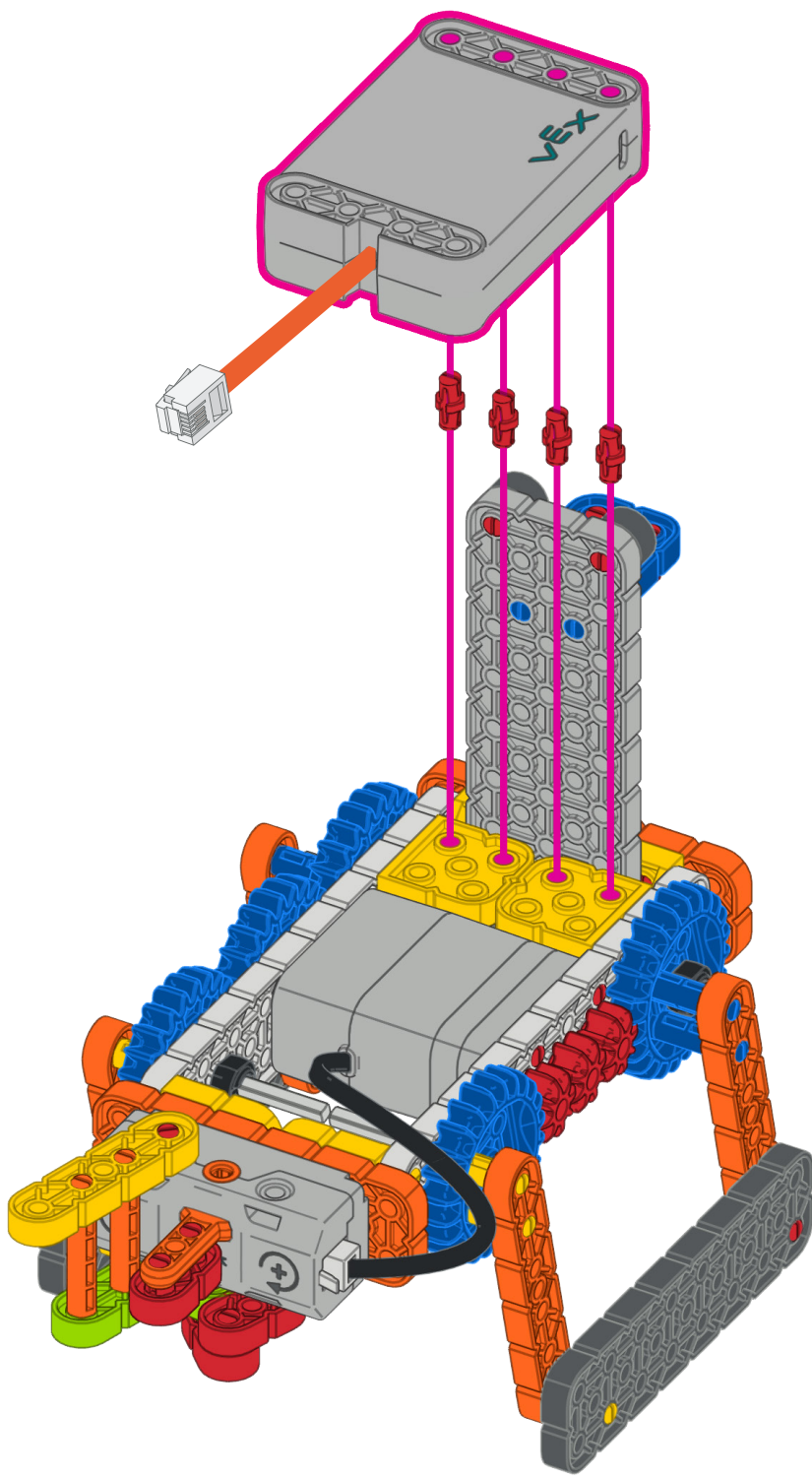
2x Red Pin 1x Red Beam

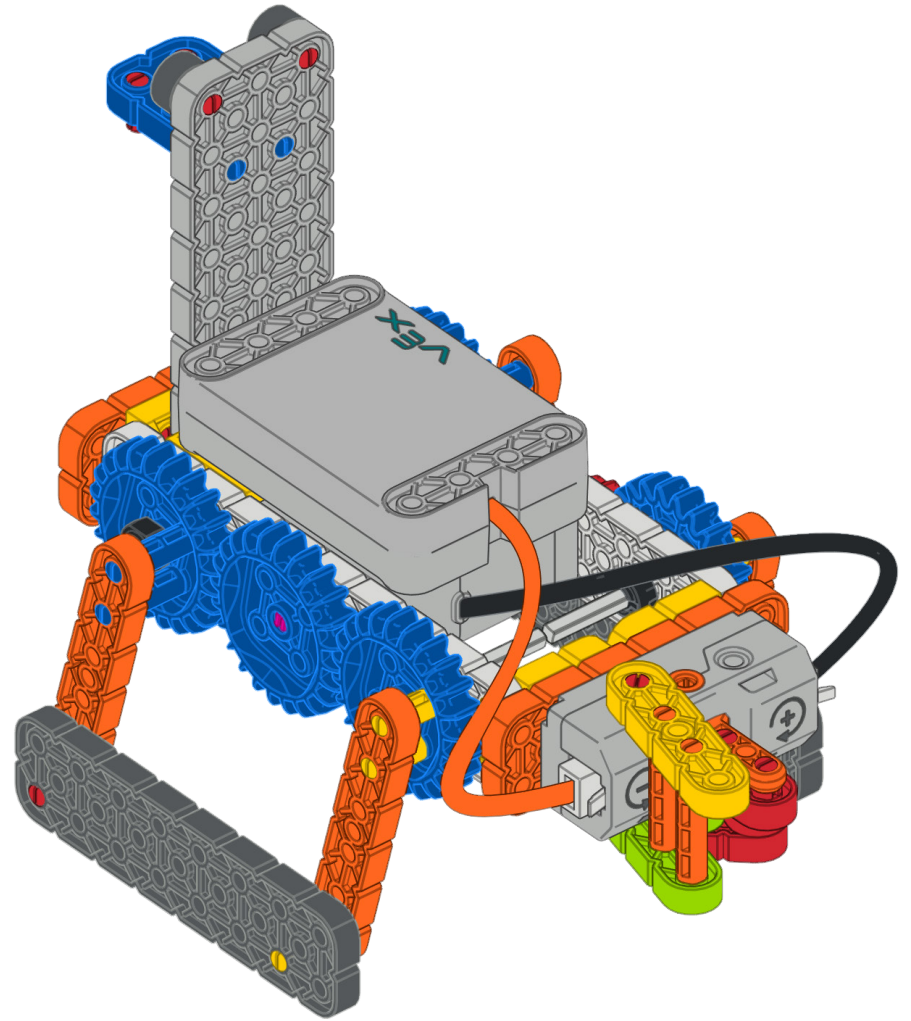
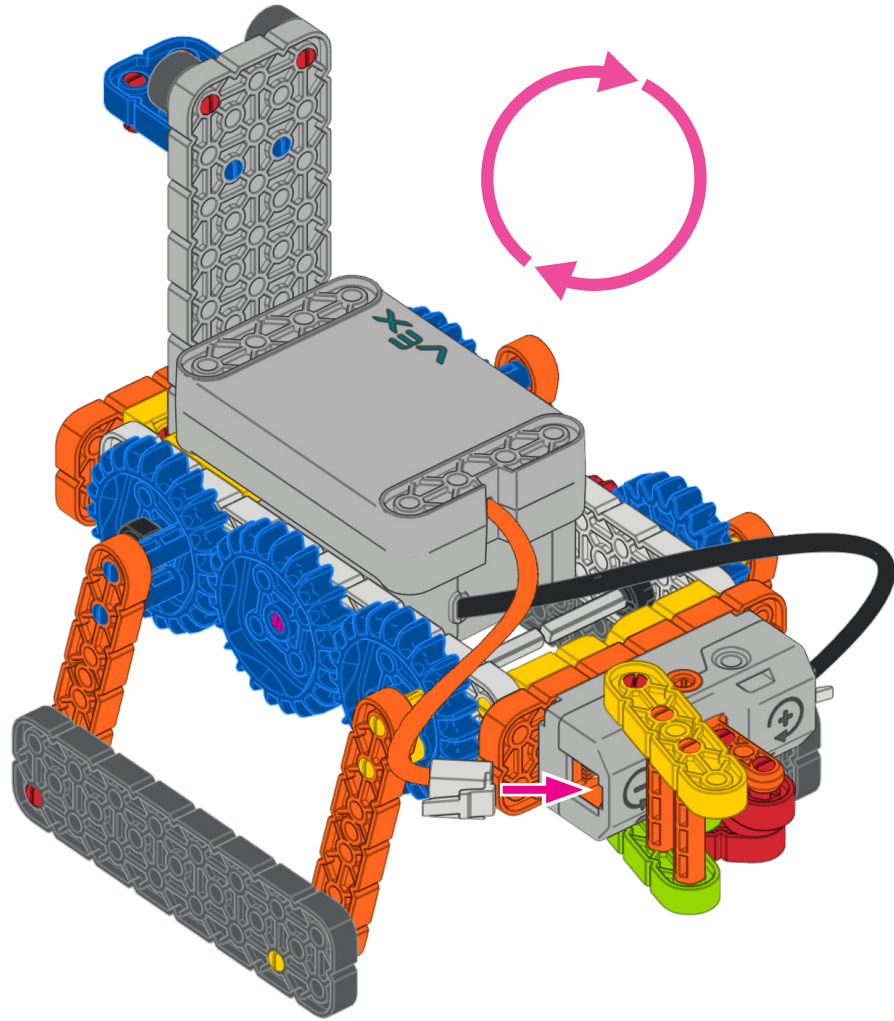
A legend box with a teal border containing two items. On the left, there is a red pin and a red beam. On the right, there is a red pin and a red beam. Below the items, the text reads "2x Red Pin" and "1x Red Beam".











Flopper Build Instructions

269-6912-120 Rev6



Custom manufactured in China for Innovation First Trading SARL. Distributed in the U.S.A, Mexico, Caribbean, Central & South America by VEX Robotics, Inc., 6725 W. FM 1570, Greenville, TX 75402, U.S.A. Distributed in China by Innovation First International (Shenzhen), Ltd., Suite 1906, Excellence Tower, 98 Fuhua Yi Road, Futian, Shenzhen, Guangdong, China 518048. Distributed in other regions by Innovation First Trading SARL, Innovation First Trading SARL, Parc Logistique Eurohub Sud, 3434 – Dudelange, Luxembourg +352 27 86 04 87. Distributed in Canada by / Distribué au Canada par / Innovation First Trading, LLC, 6725 W. FM 1570, Greenville, TX 75402, U.S.A.