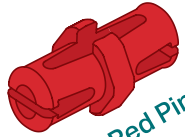
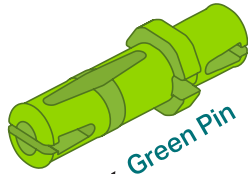




## Pins

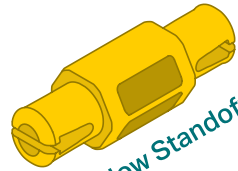


53x Red Pin

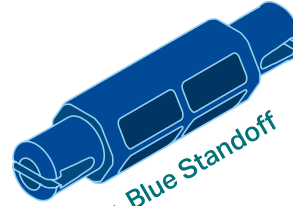


6x Green Pin

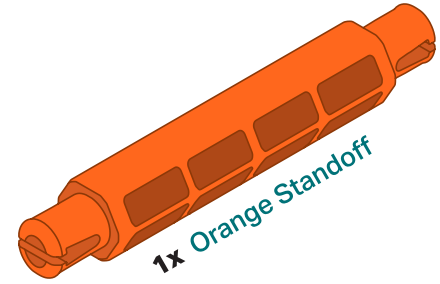
## Standoffs



4x Yellow Standoff

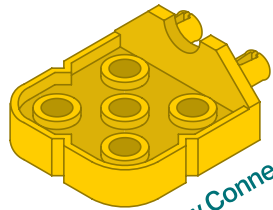


8x Blue Standoff

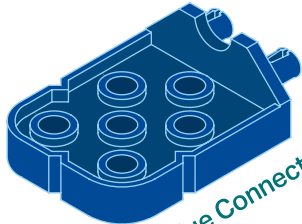


1x Orange Standoff

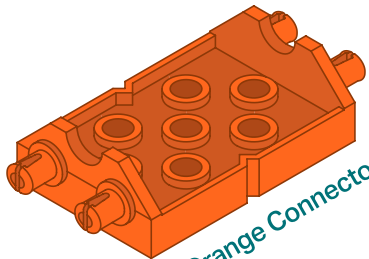
## Connectors



5x Yellow Connector

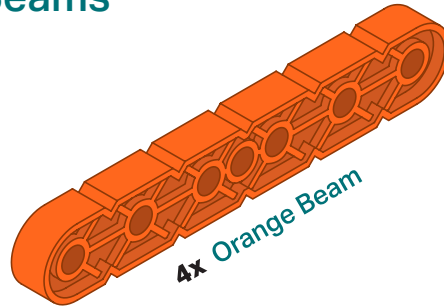


5x Blue Connector



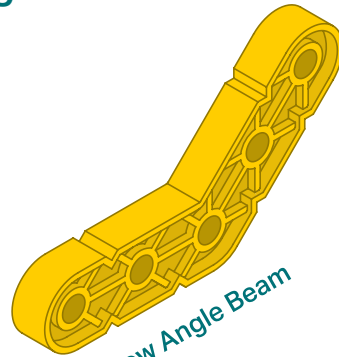
3x Orange Connector

## Beams



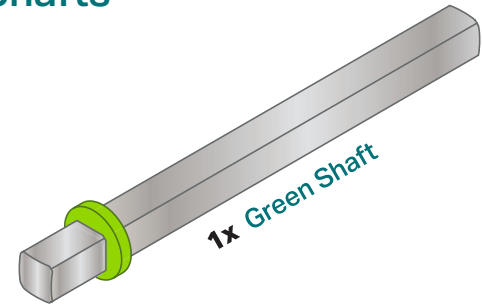
4x Orange Beam

## Angle Beams

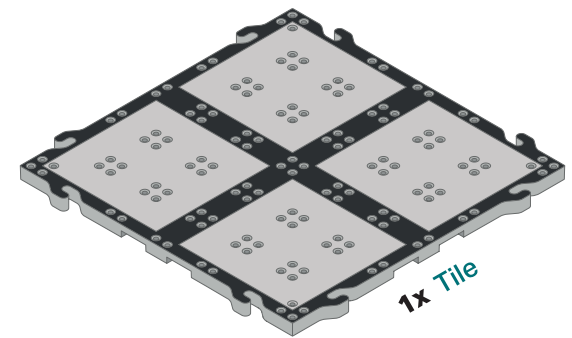


1x Yellow Angle Beam

## Shafts



1x Green Shaft

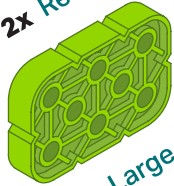


1x Tile

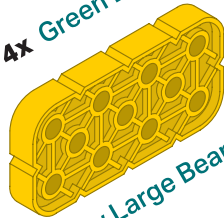
## Large Beams



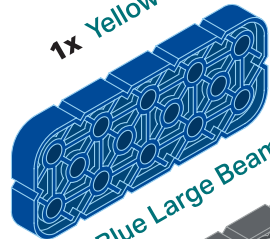
2x Red Square Beam



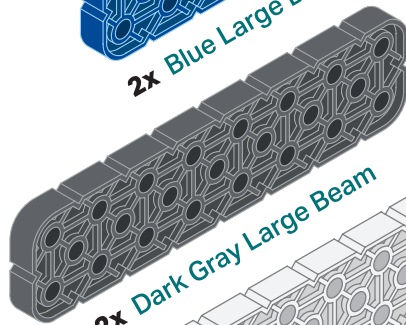
4x Green Large Beam



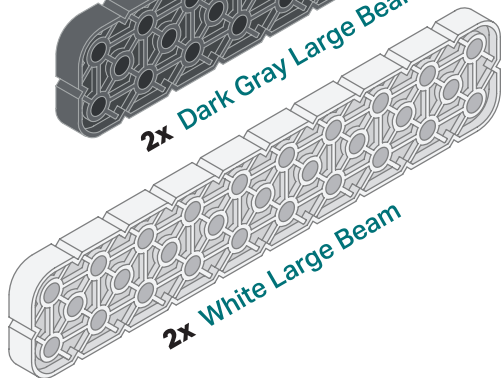
1x Yellow Large Beam



2x Blue Large Beam

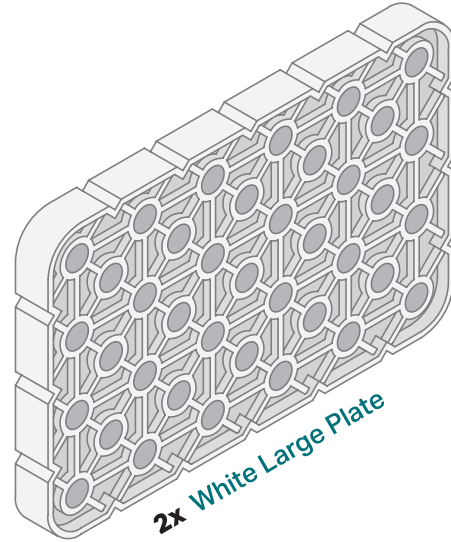


2x Dark Gray Large Beam

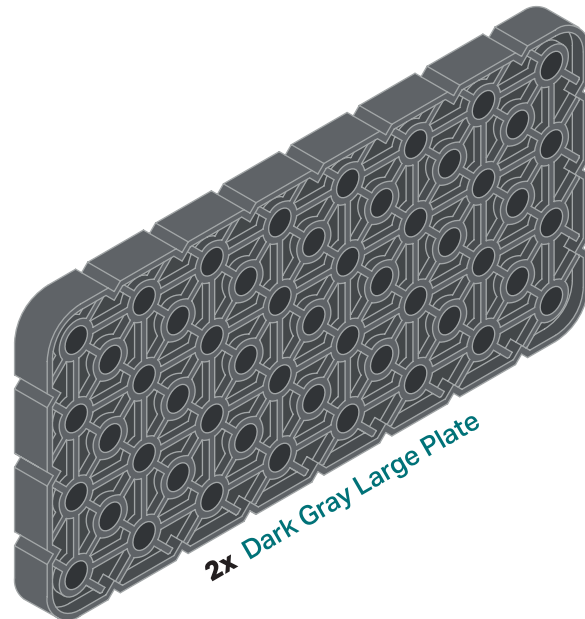


2x White Large Beam

## Plates

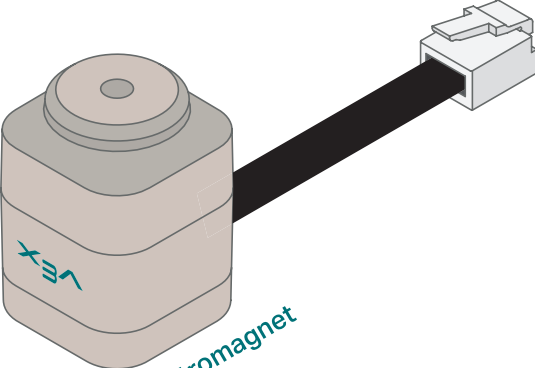


2x White Large Plate

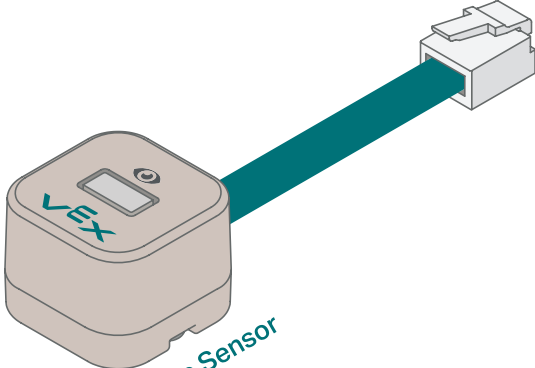


2x Dark Gray Large Plate

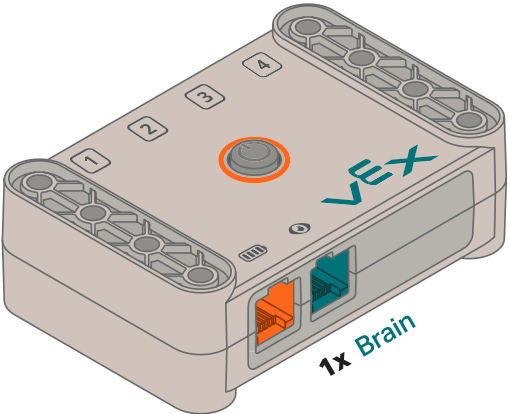
# Electronics



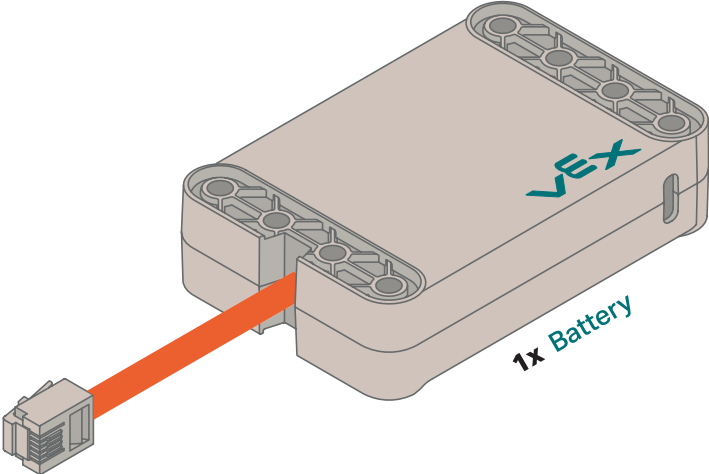
1x Electromagnet



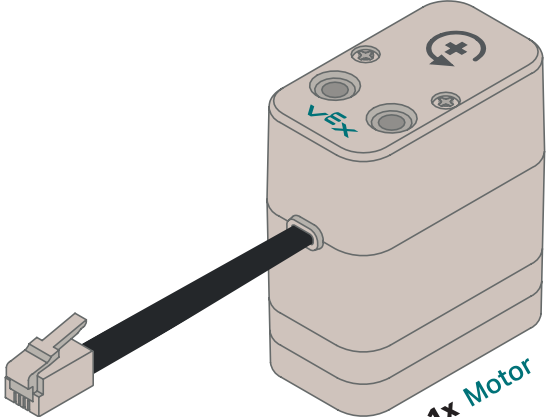
1x Eye Sensor



1x Brain

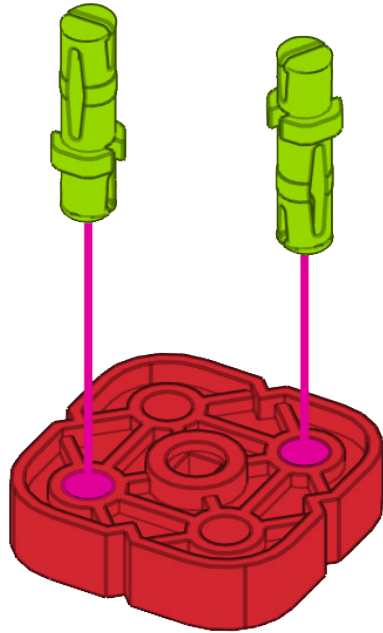


1x Battery



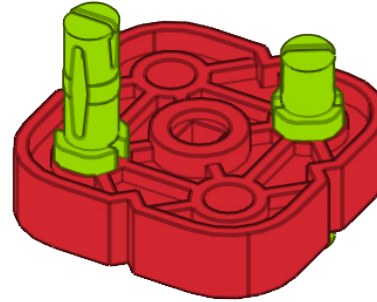
1x Motor

1

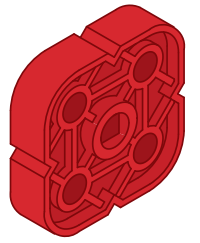
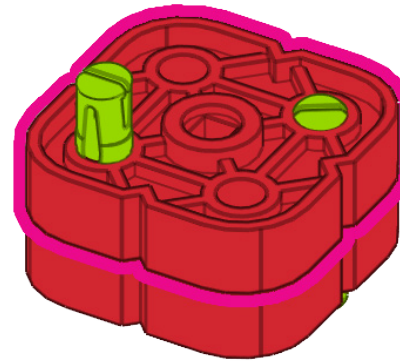
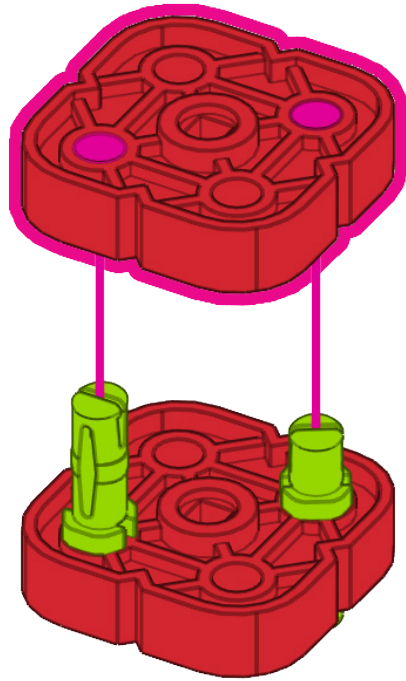


2x Green Pin

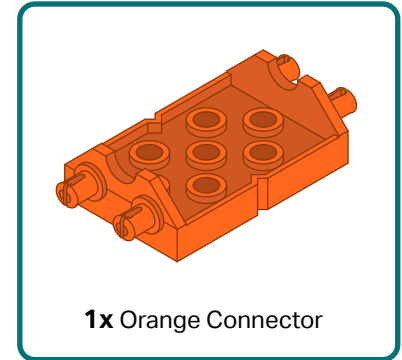
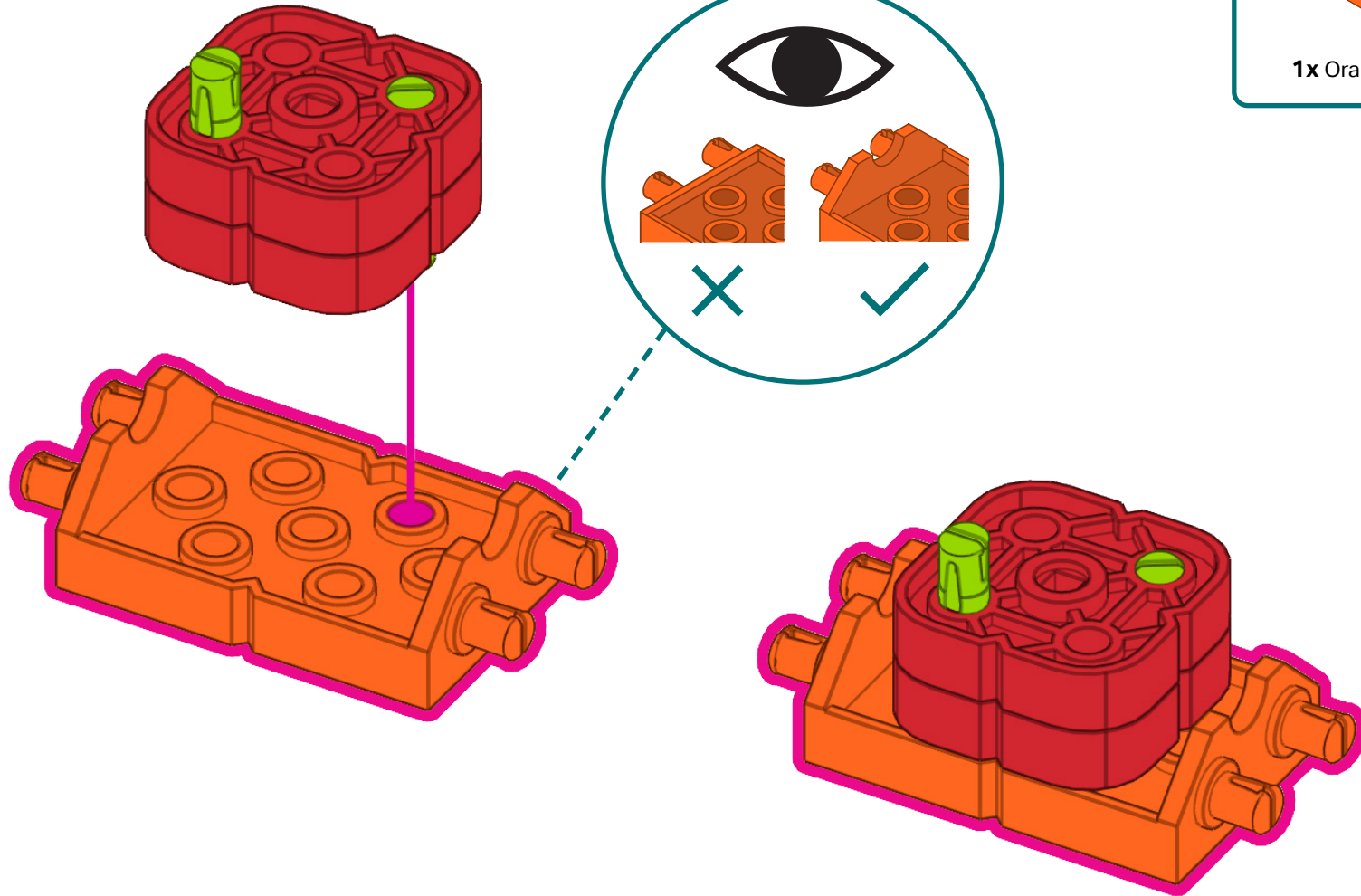
1x Red Square Beam

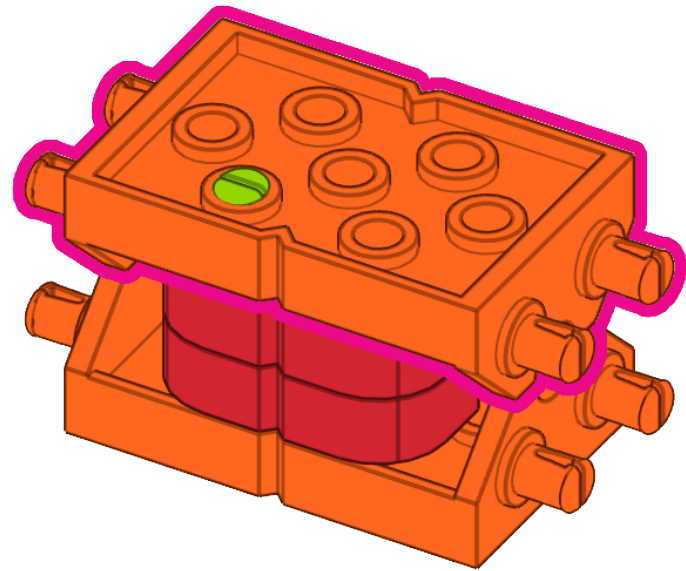
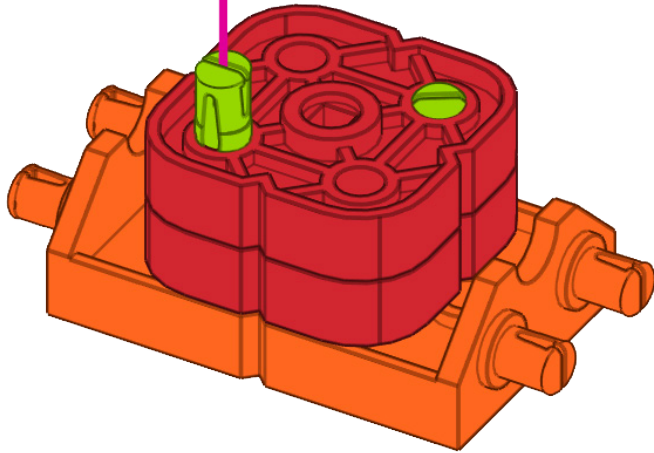
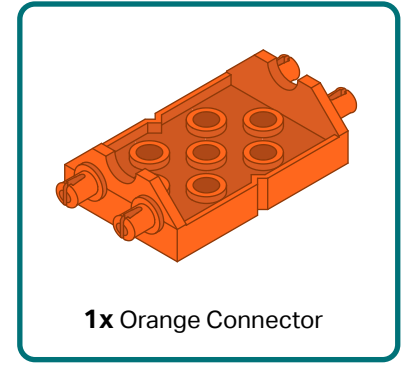
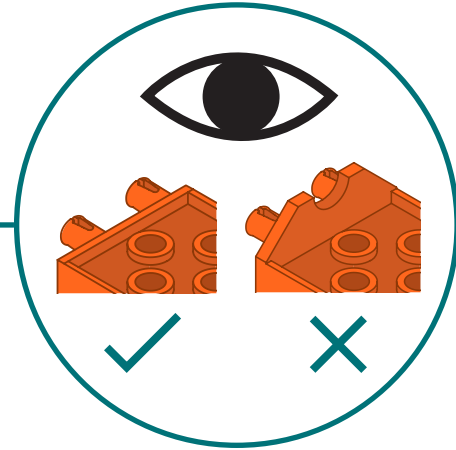
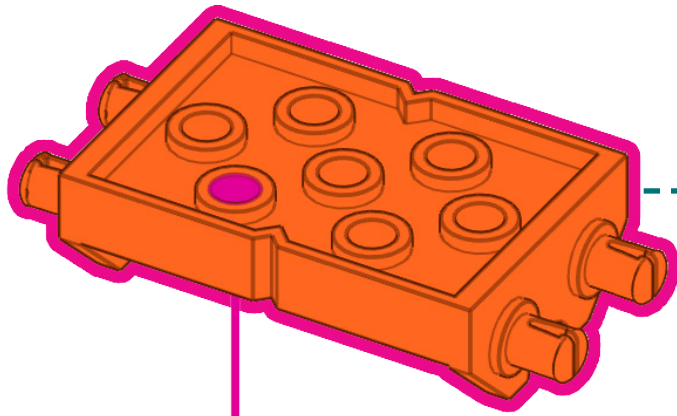
A parts list diagram enclosed in a teal border. It shows two green pins and one red square beam. The text "2x Green Pin" is located below the pins, and "1x Red Square Beam" is located below the beam.

2

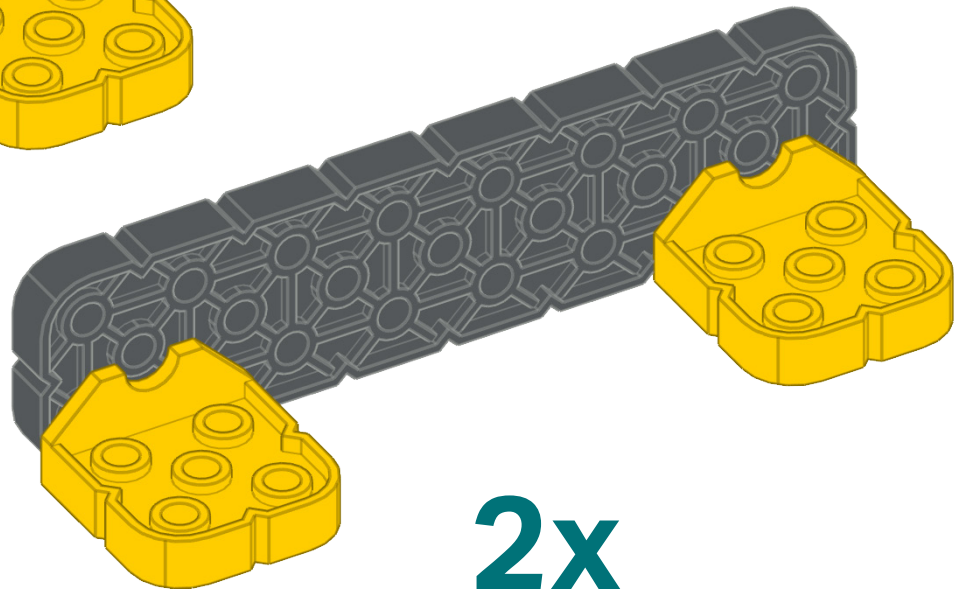
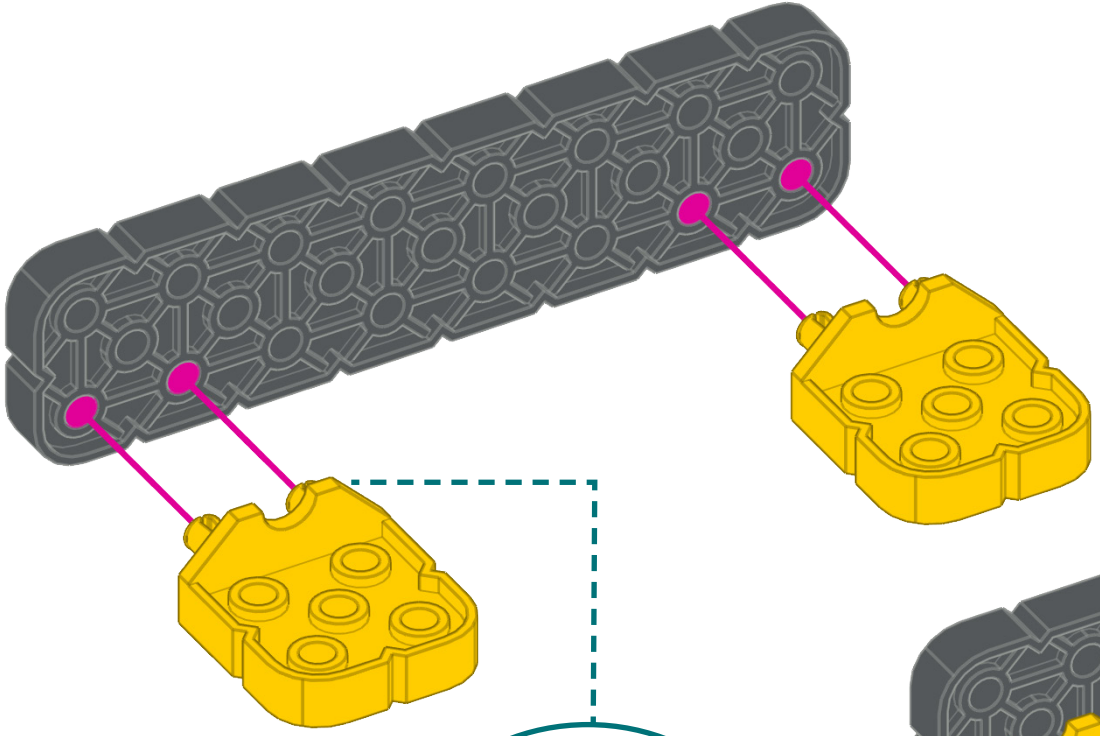
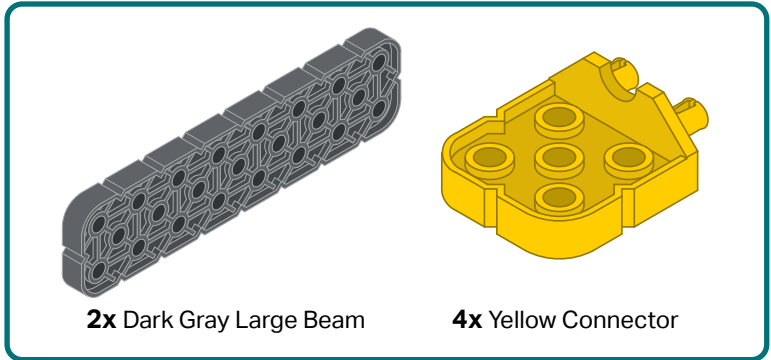


1x Red Square Beam

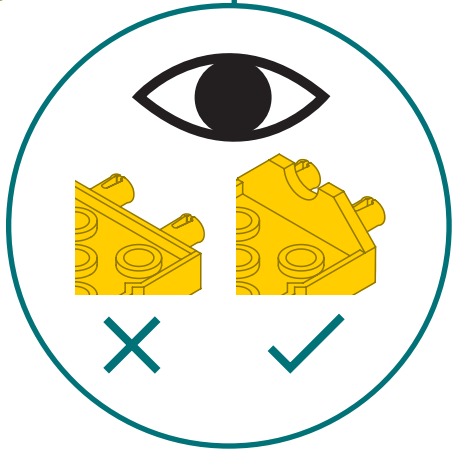




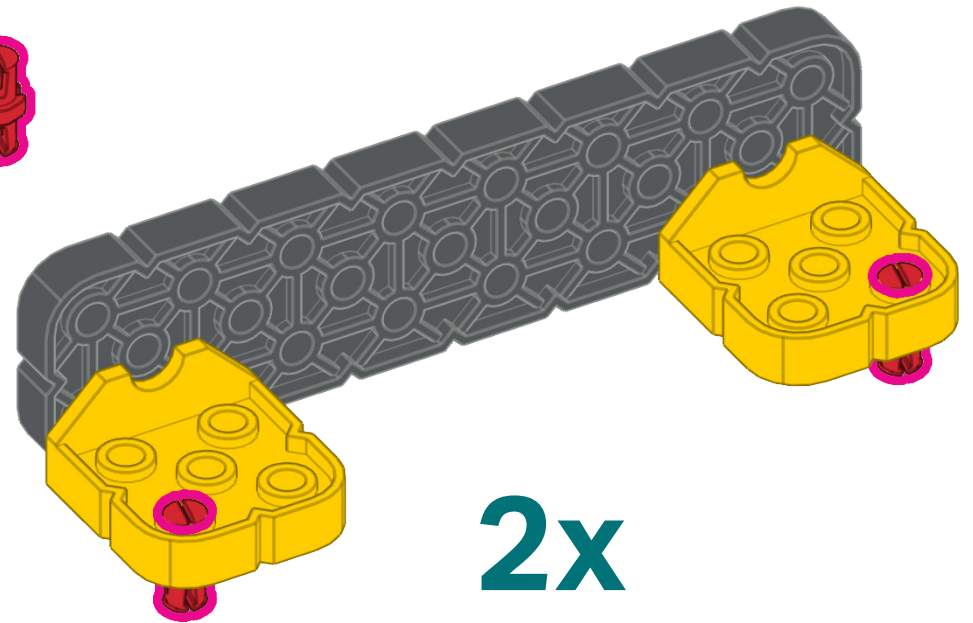
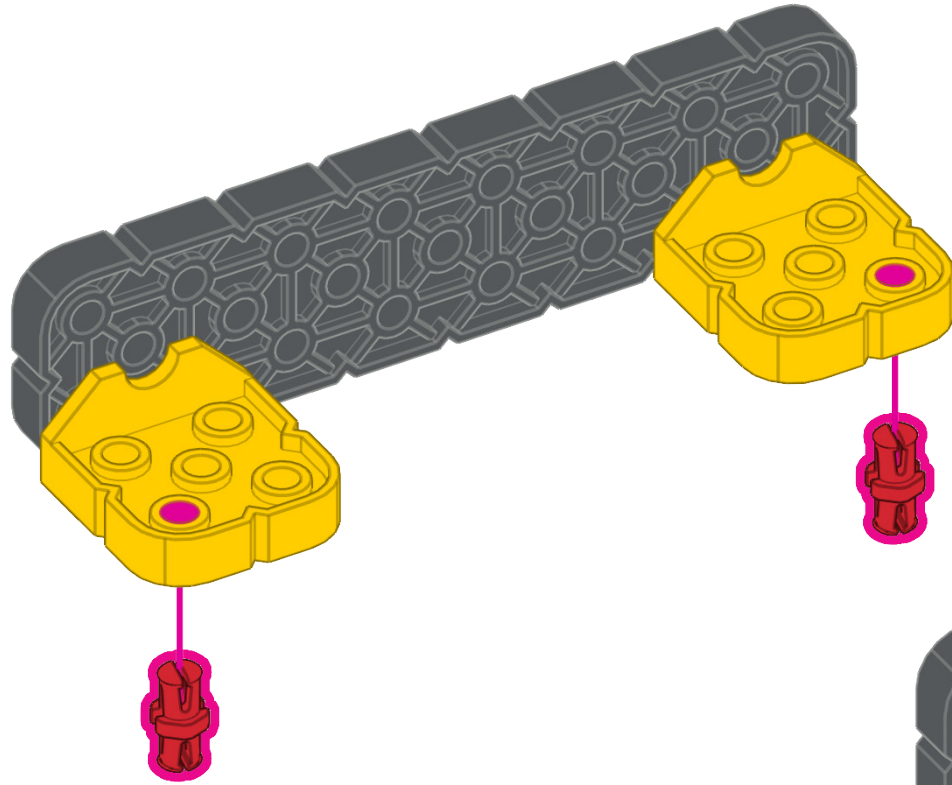




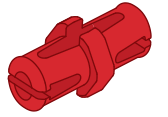
2x



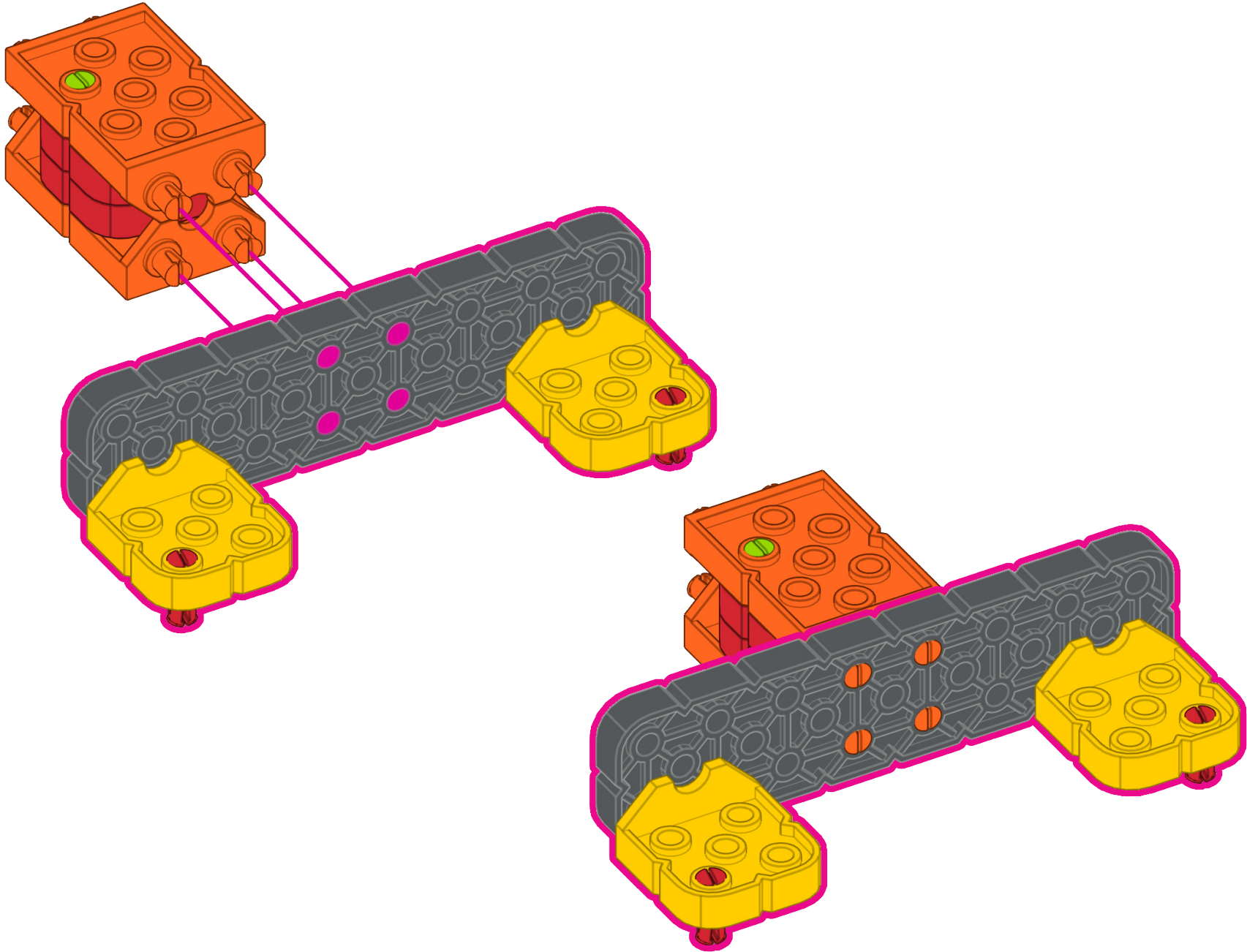
6



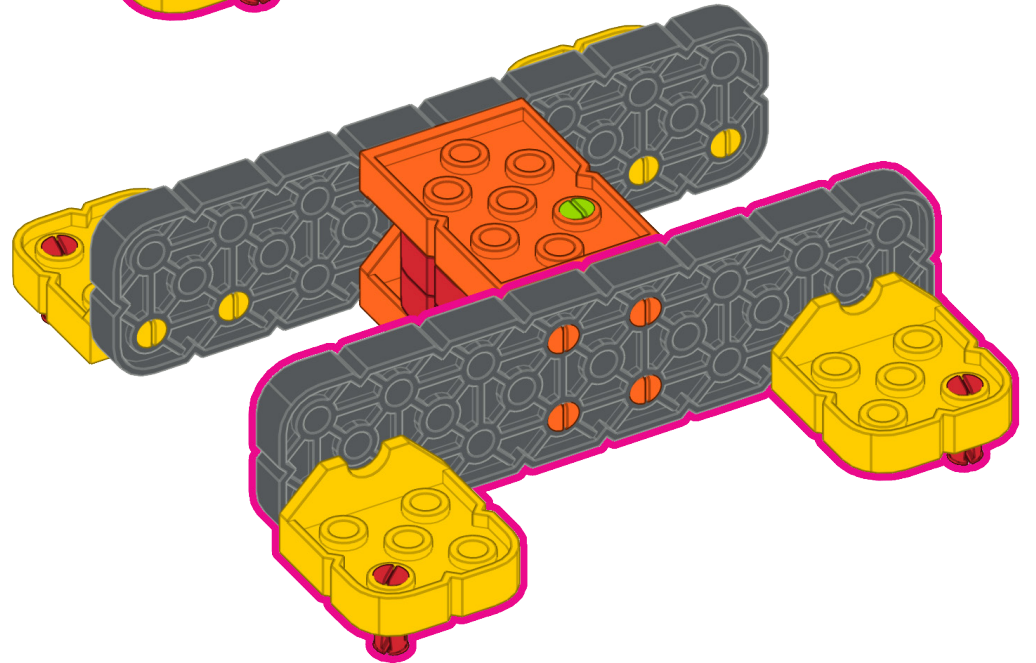
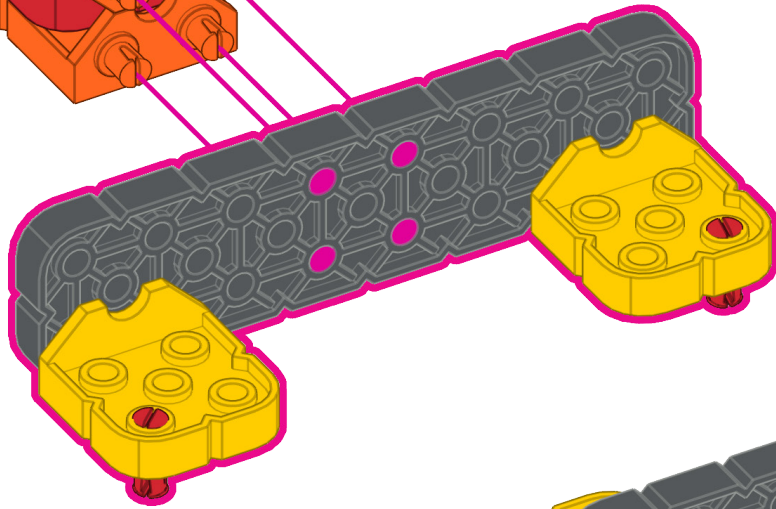
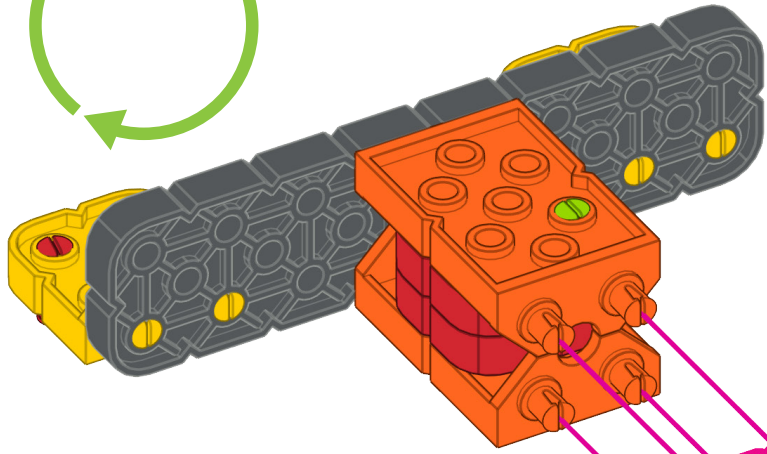
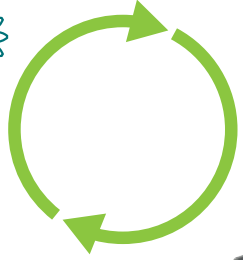
2x

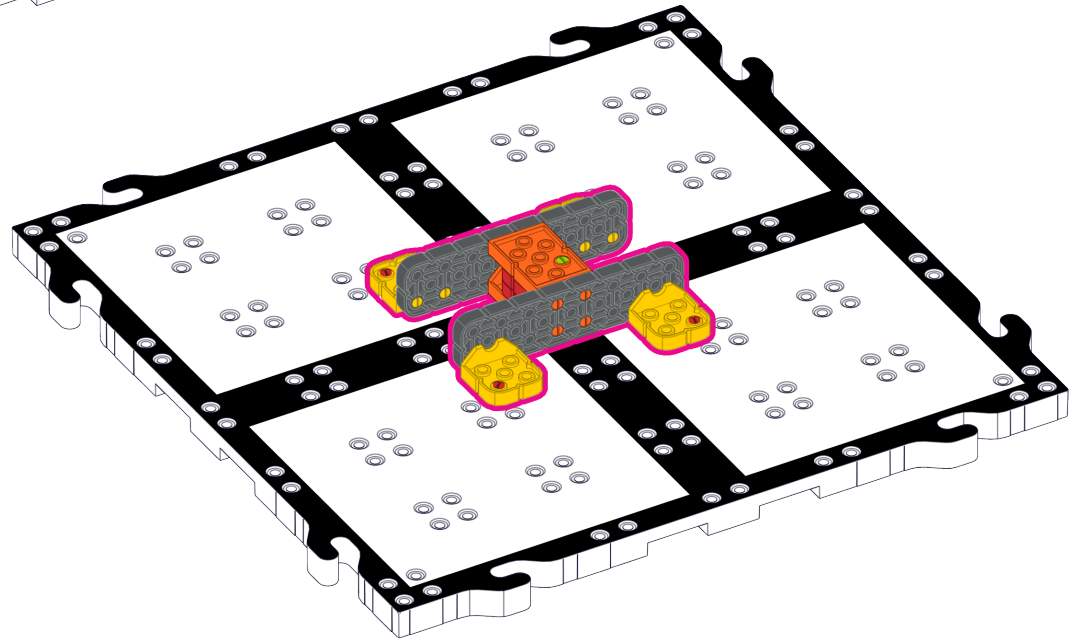
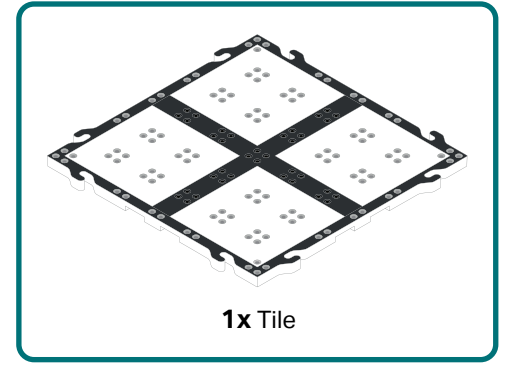
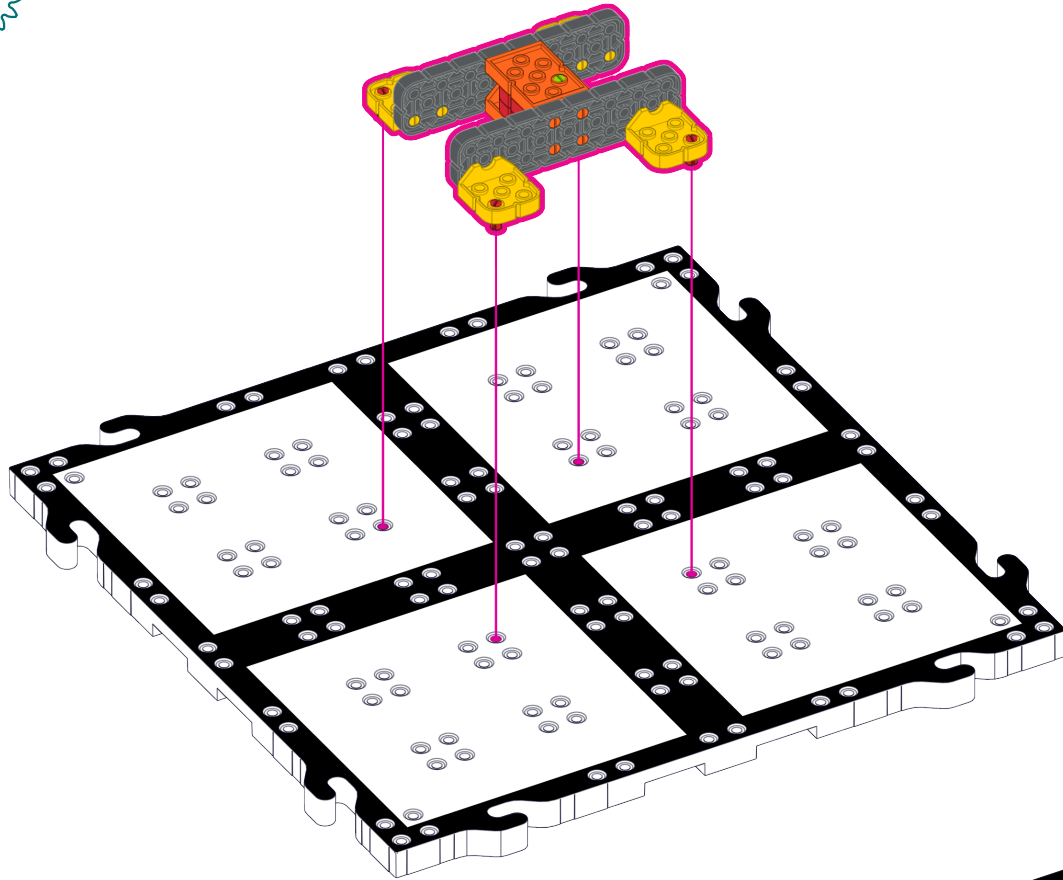


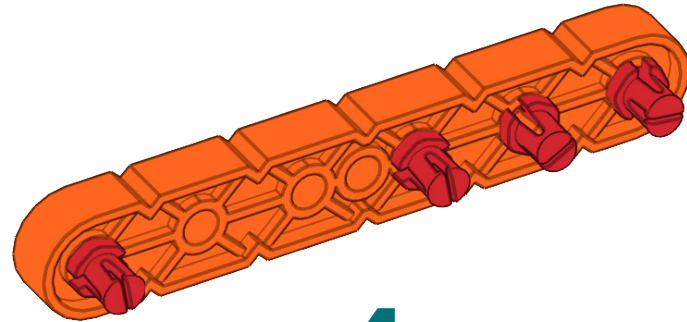
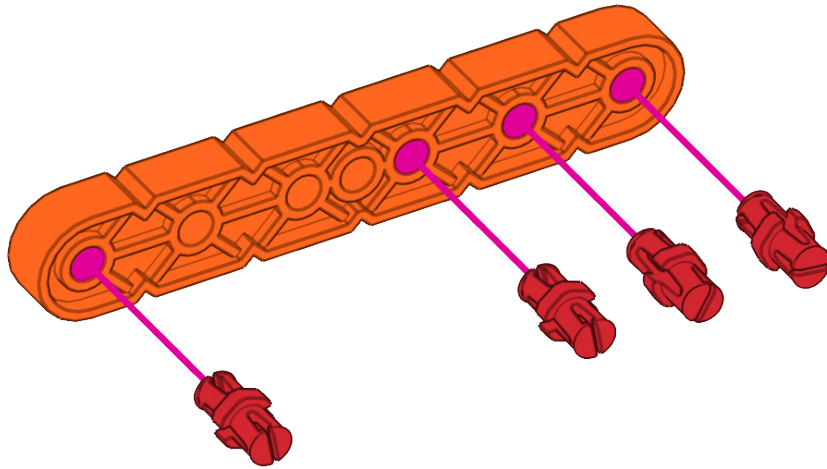
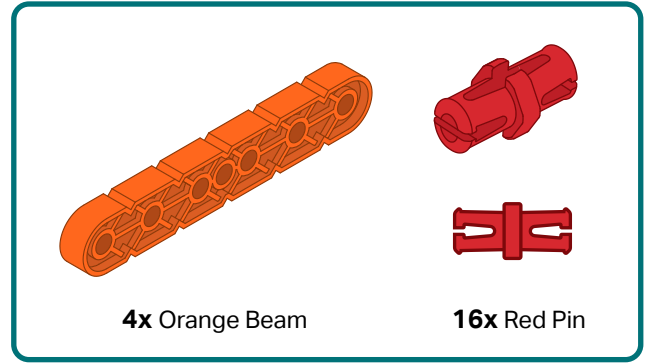
4x Red Pin



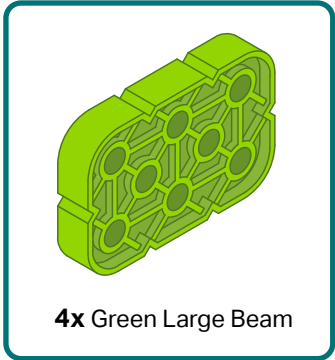
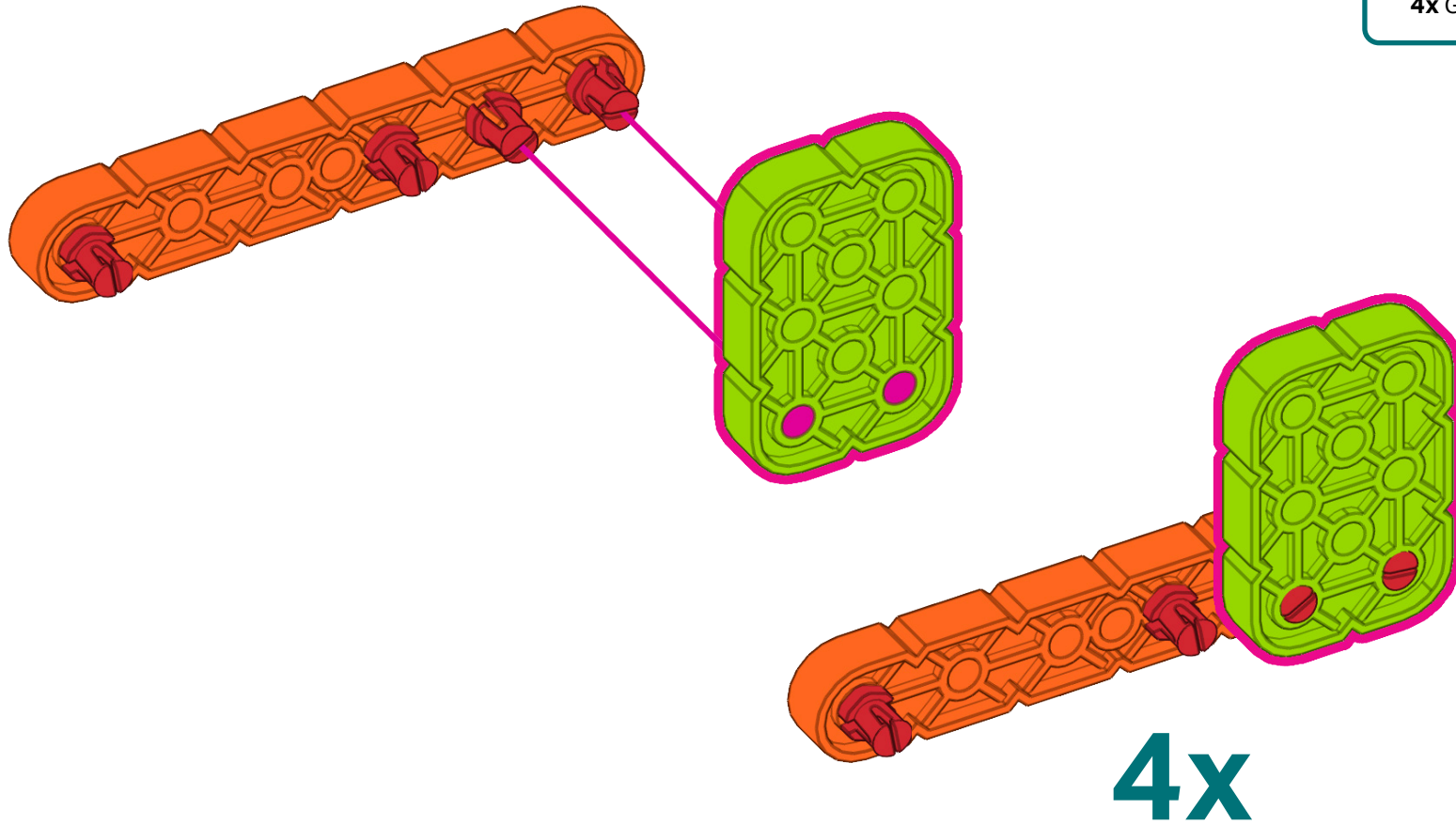
8

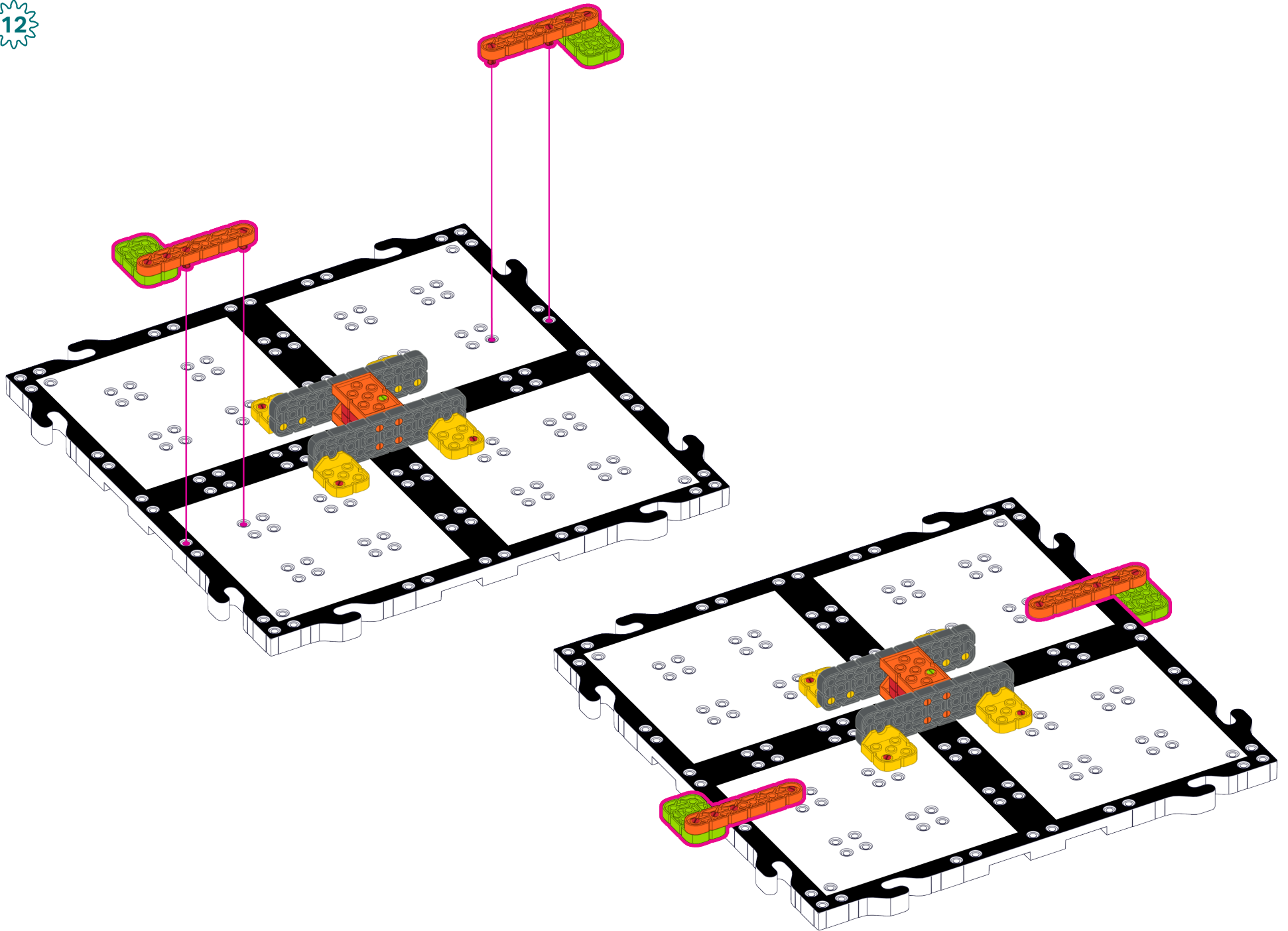




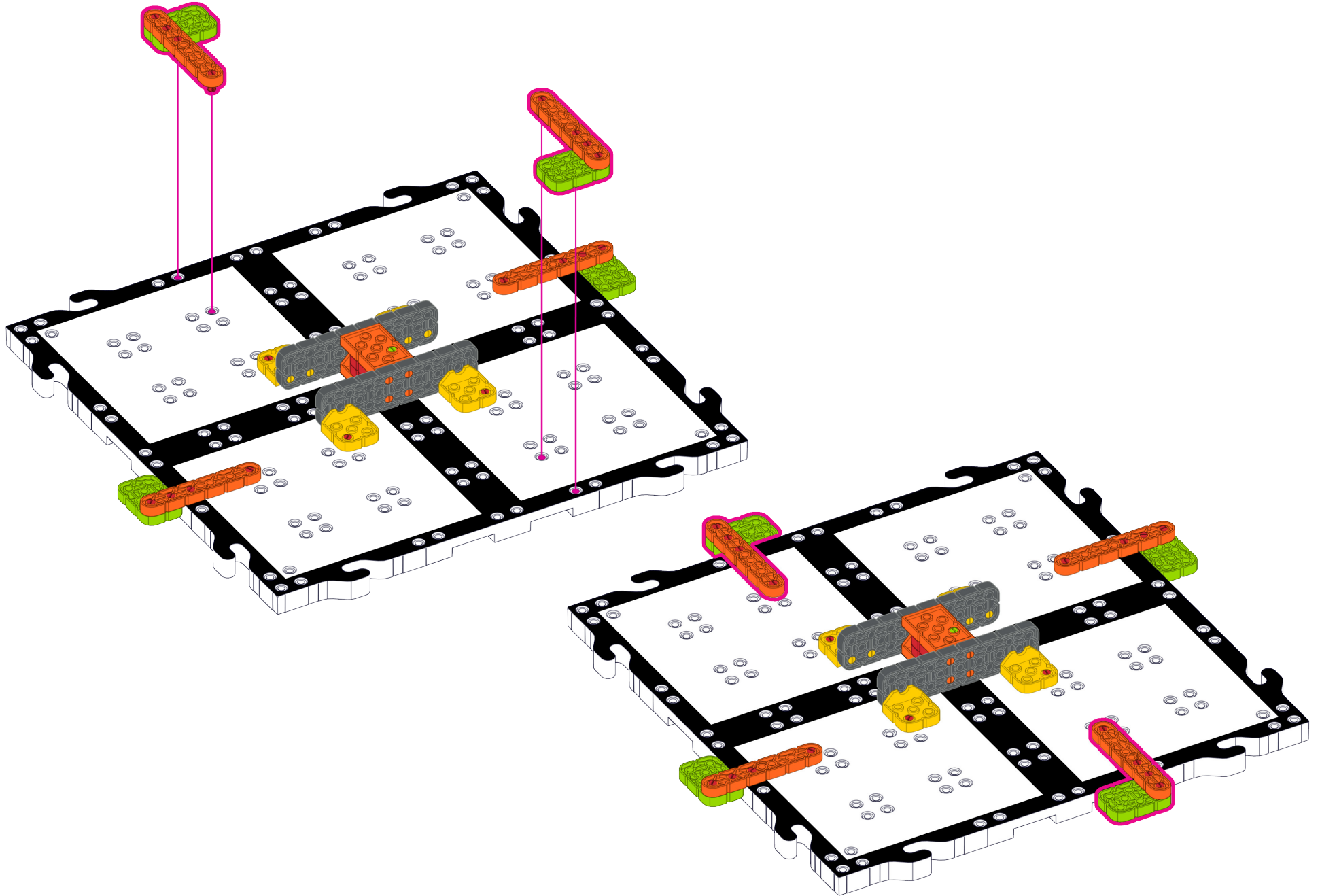


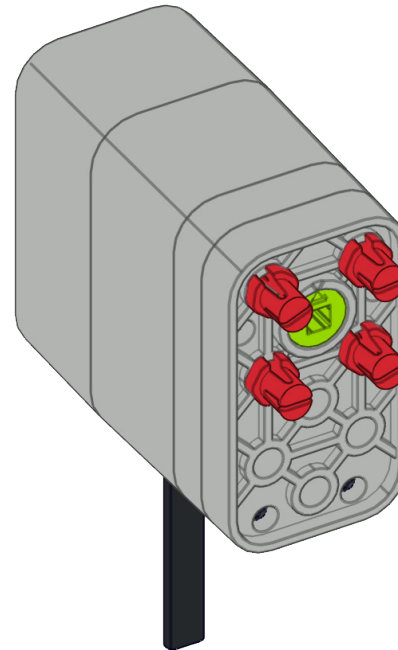
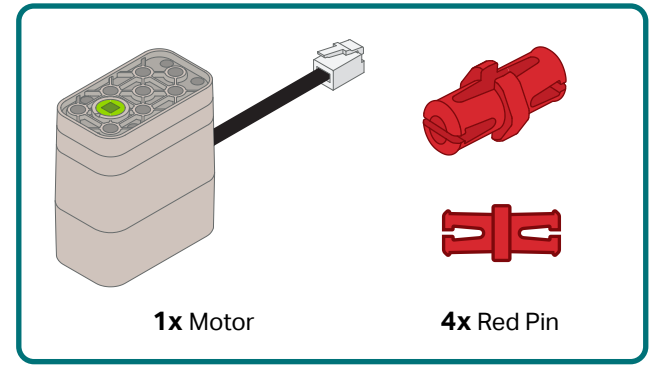
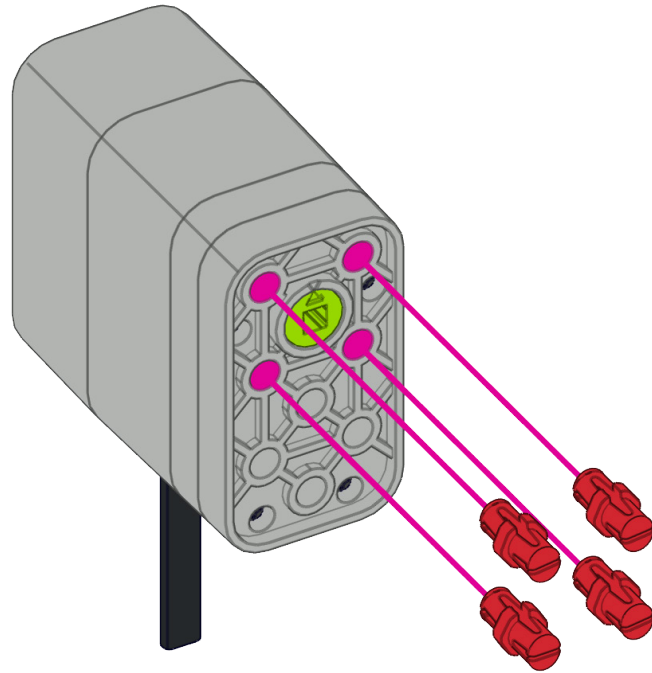
4x

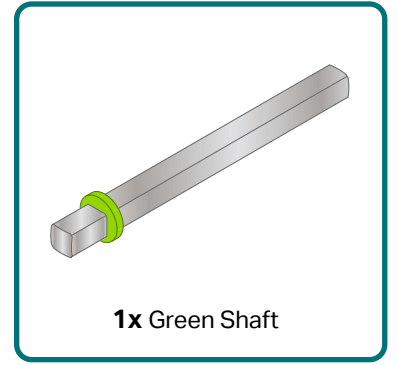
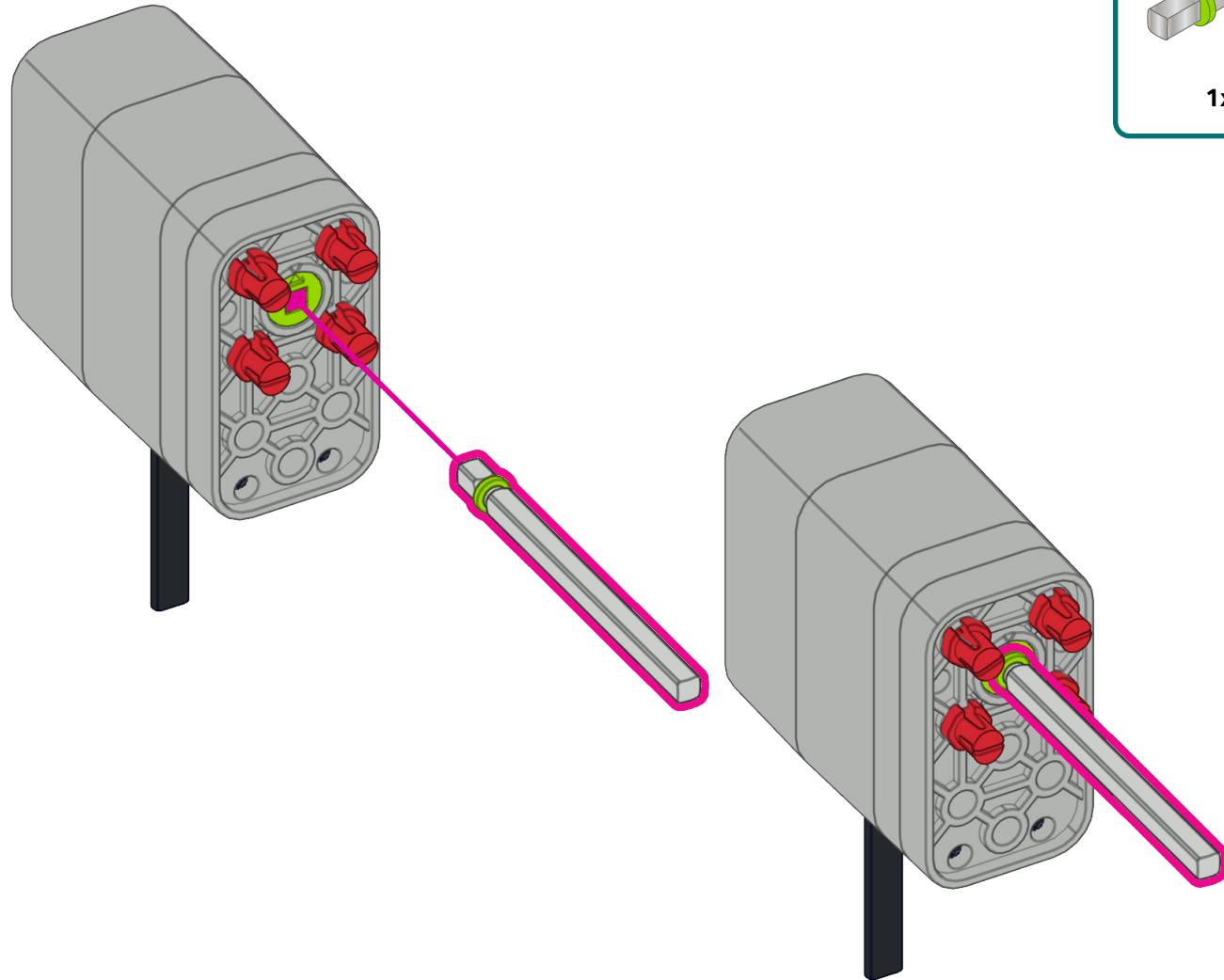




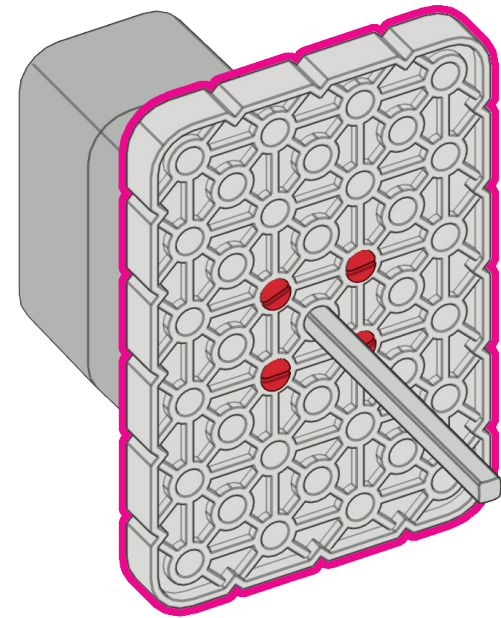
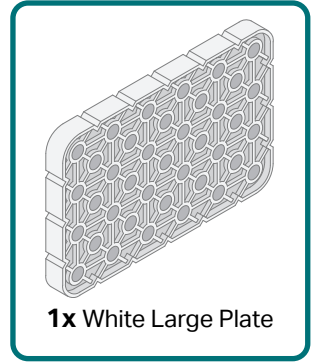
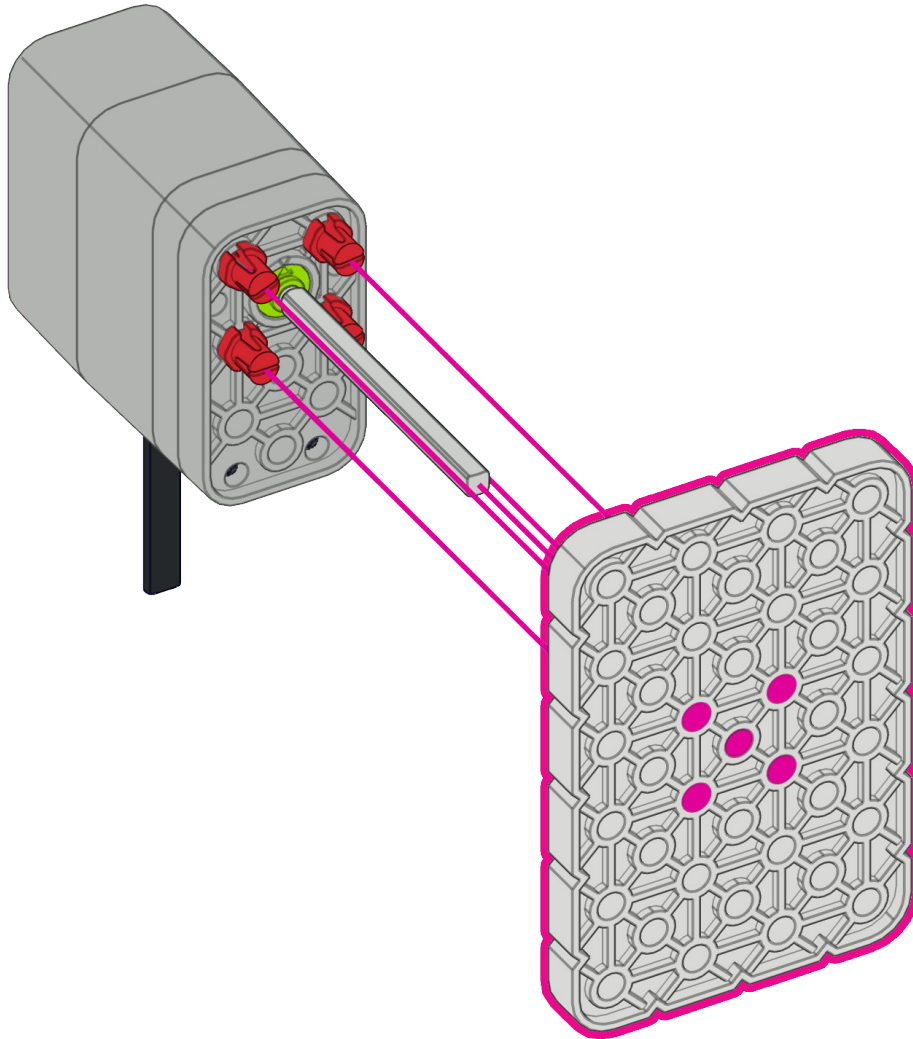


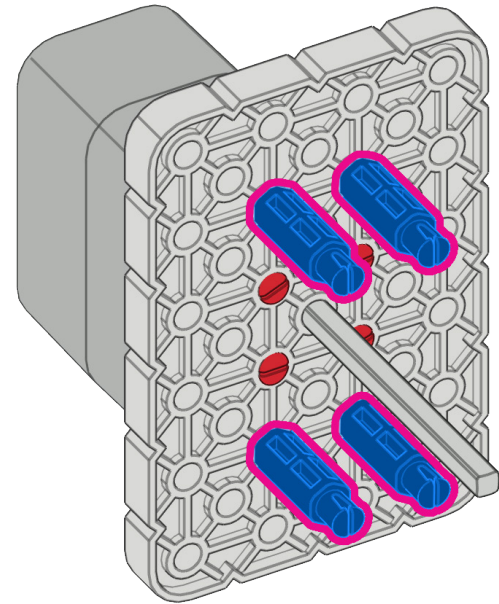
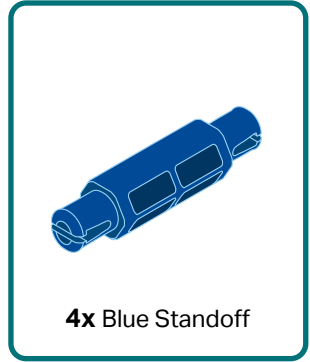
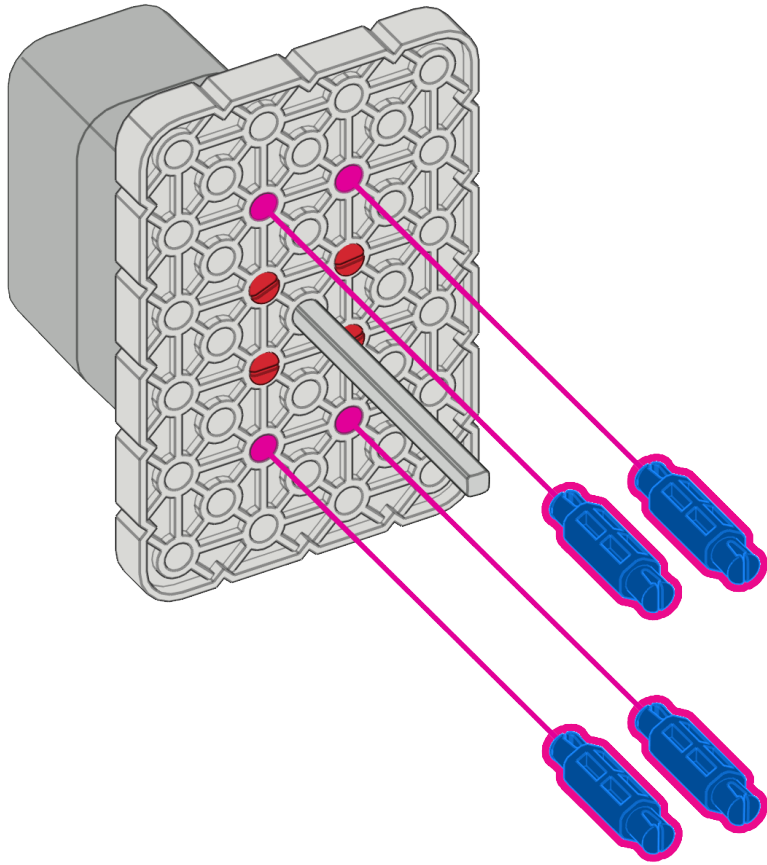


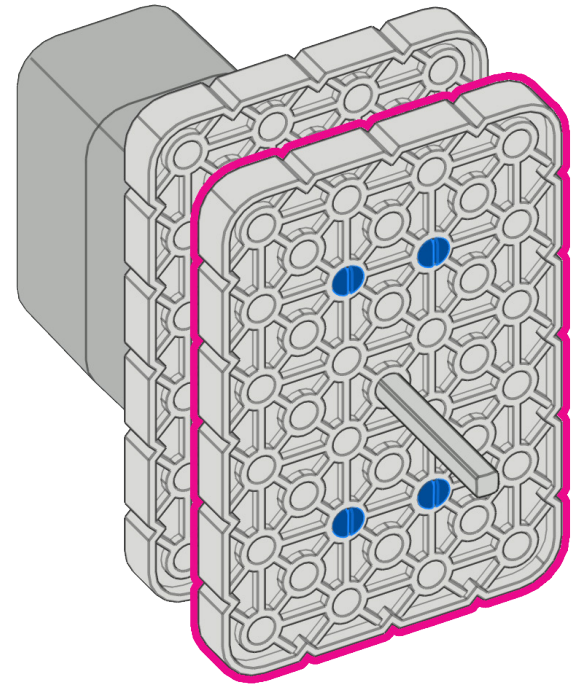
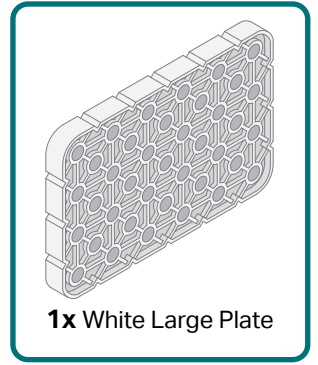
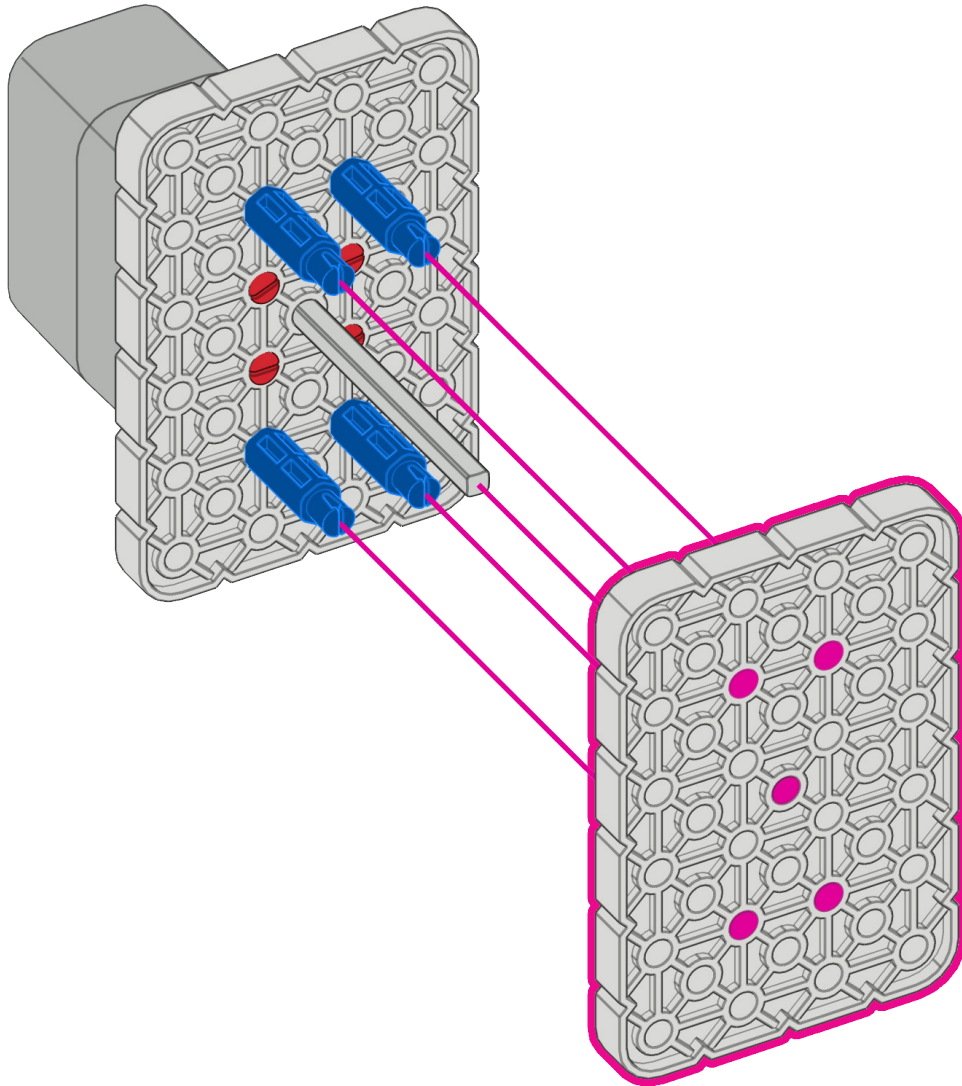


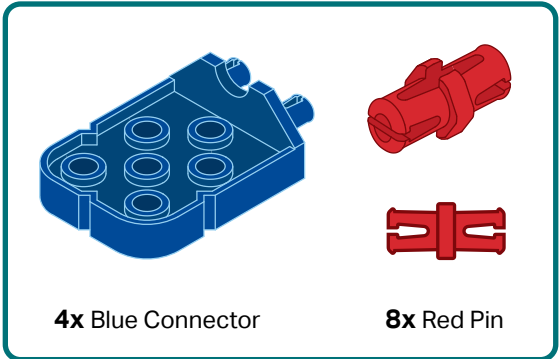


1x Green Shaft





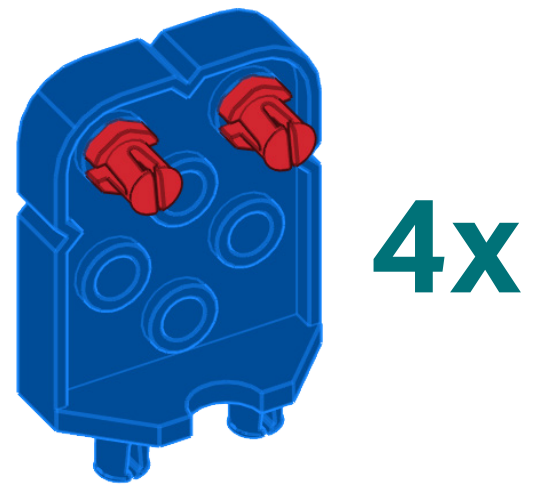
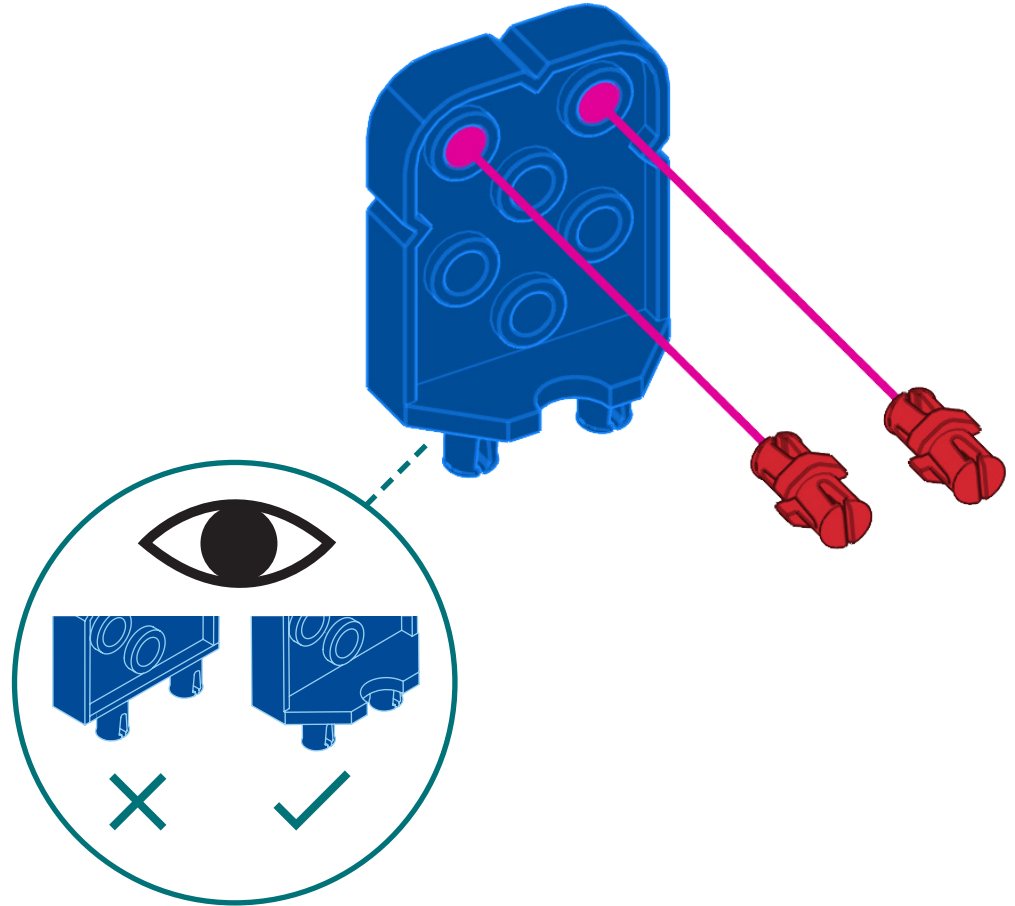




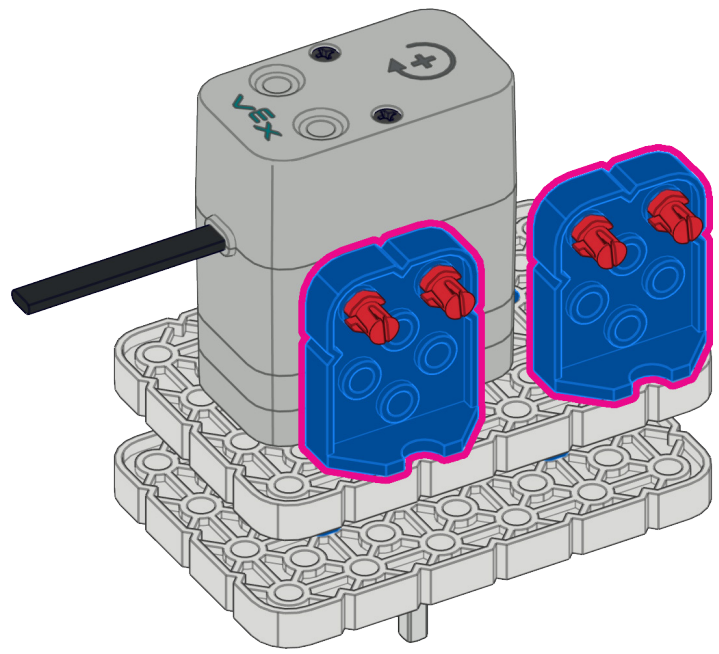
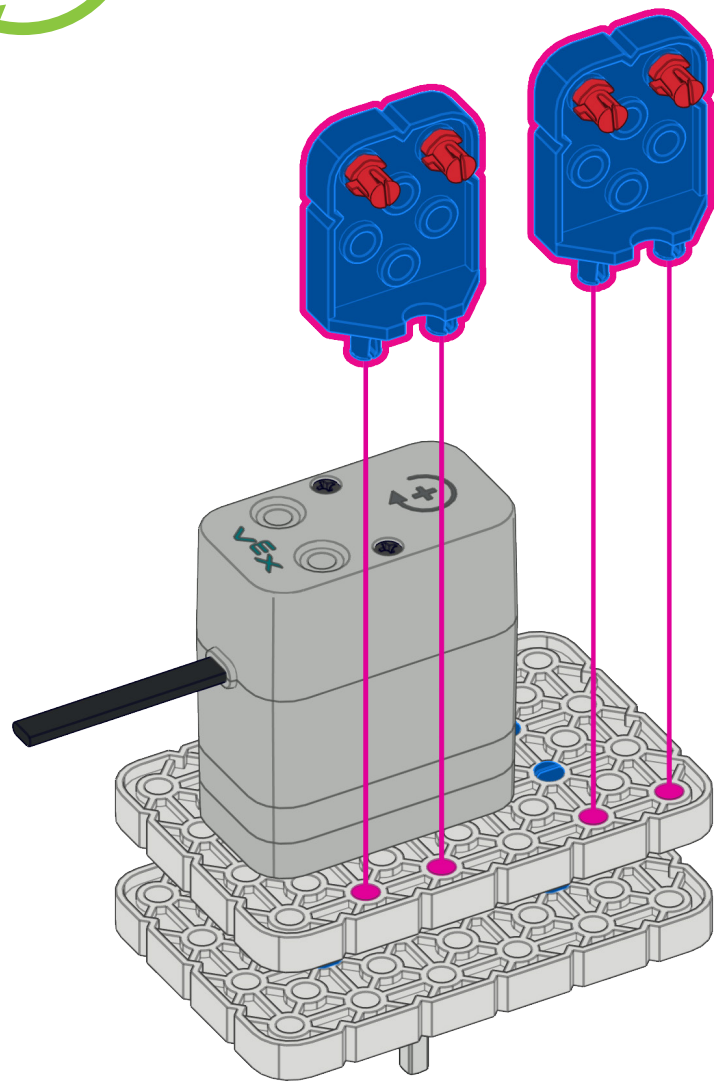
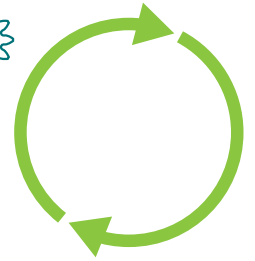
4x Blue Connector

8x Red Pin

This block contains a parts list for step 19. On the left is a blue connector with four circular holes. On the right are two red pins: a long one and a shorter one. Below the blue connector is the text '4x Blue Connector'. Below the red pins is the text '8x Red Pin'.

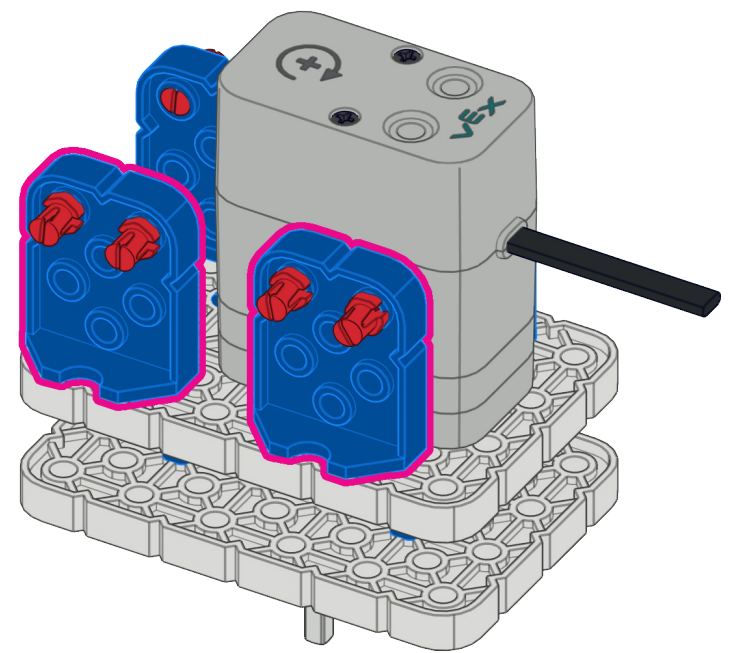
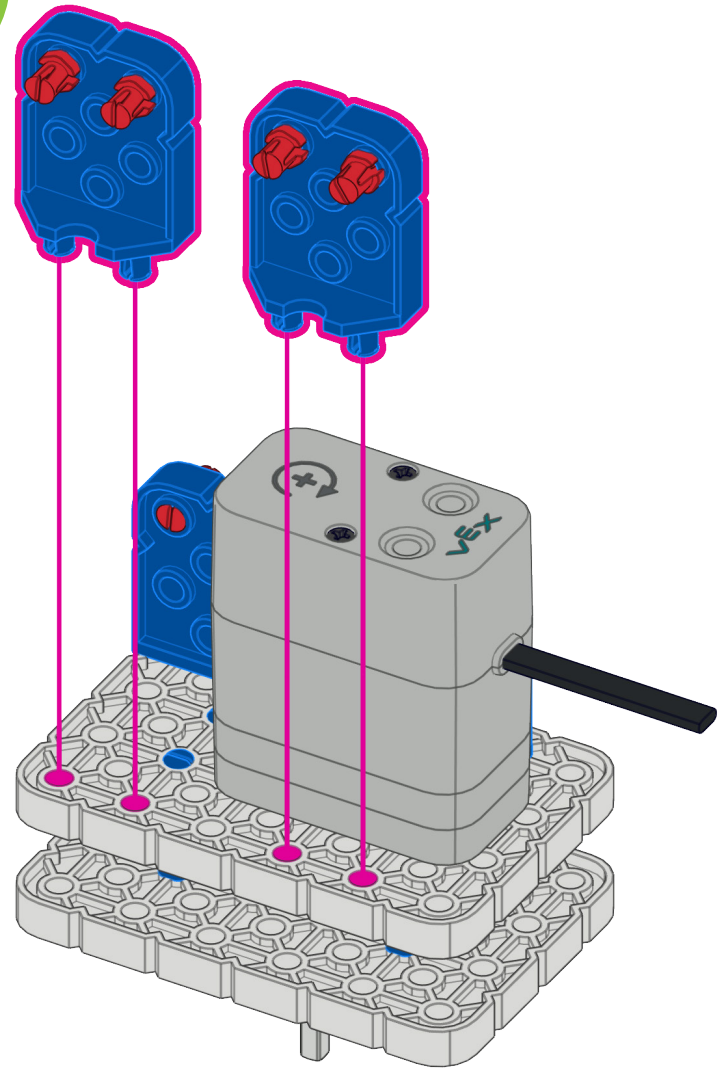
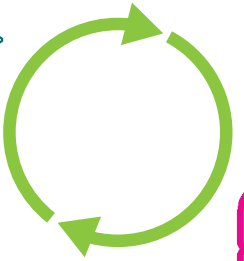


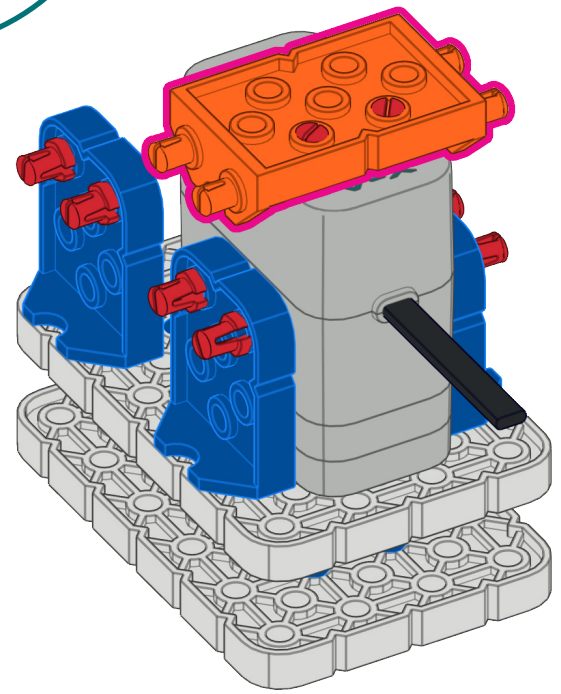
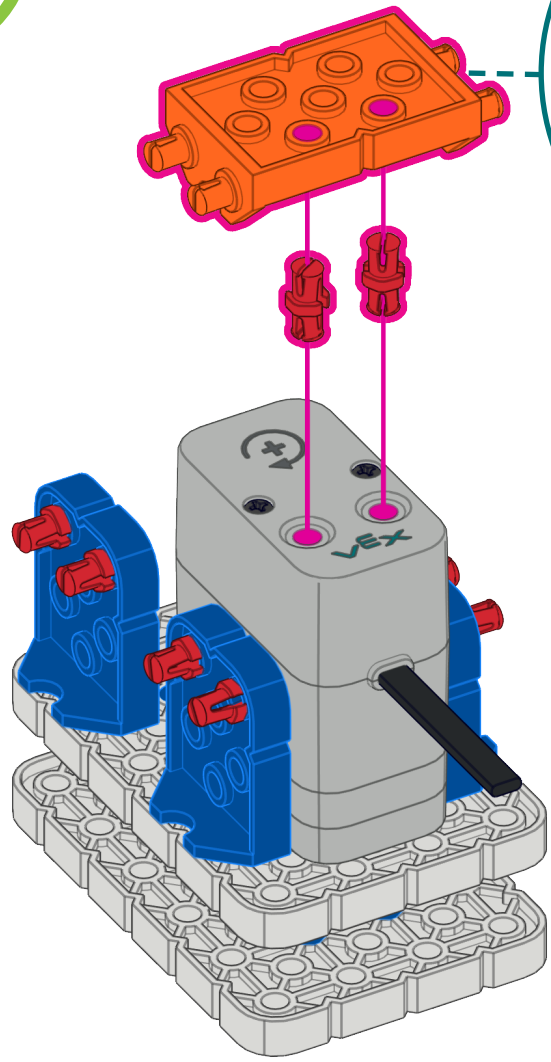
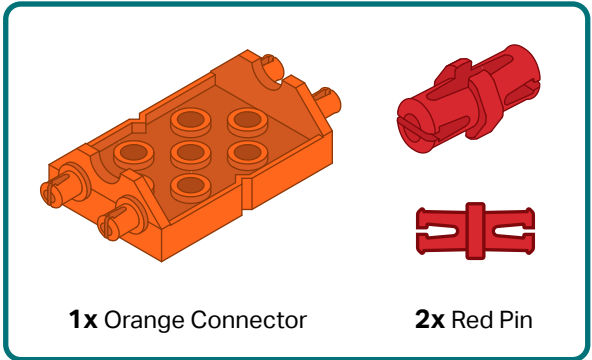
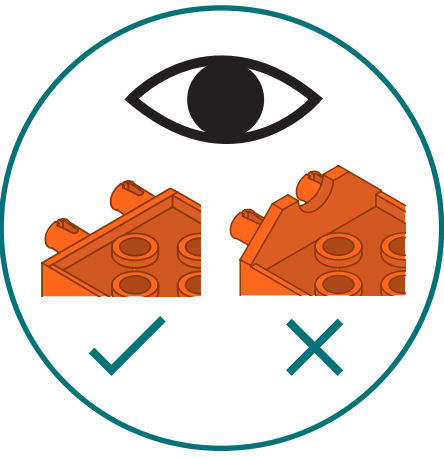
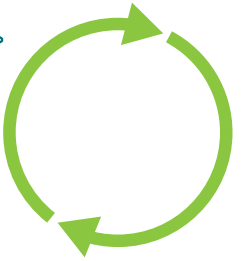
20

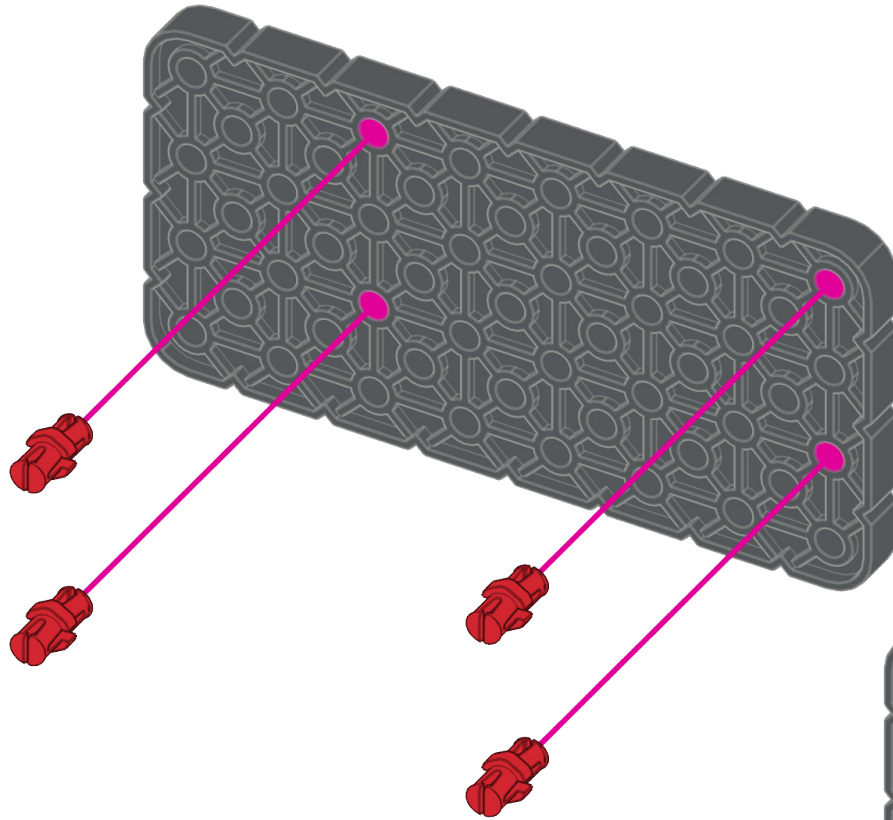




21

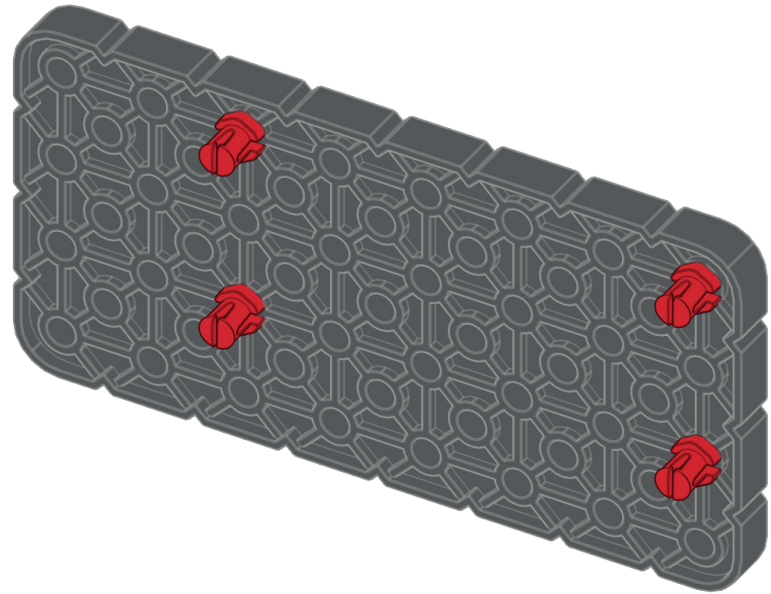


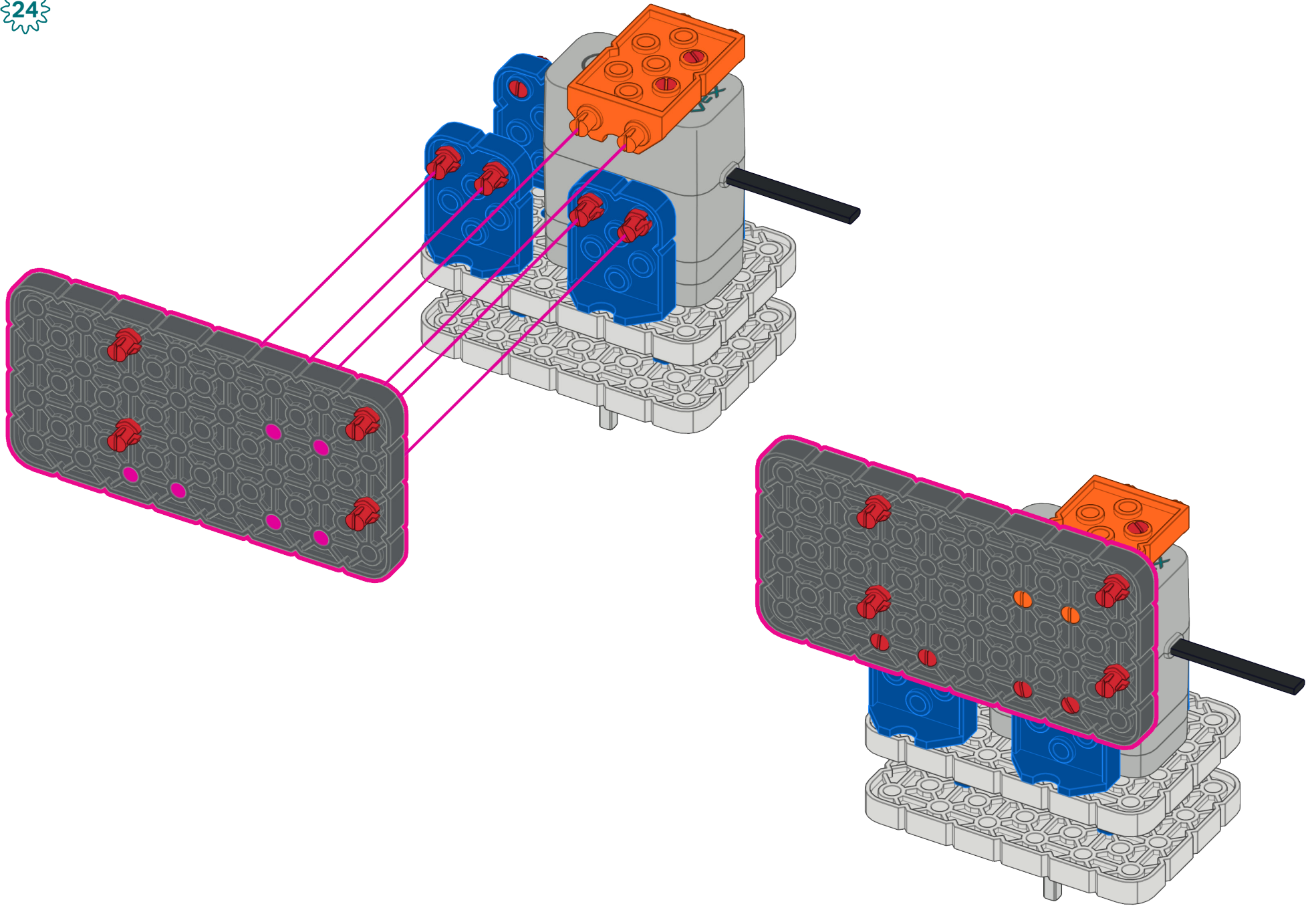


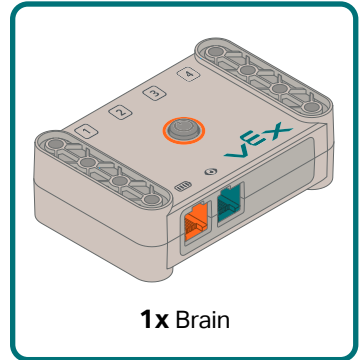
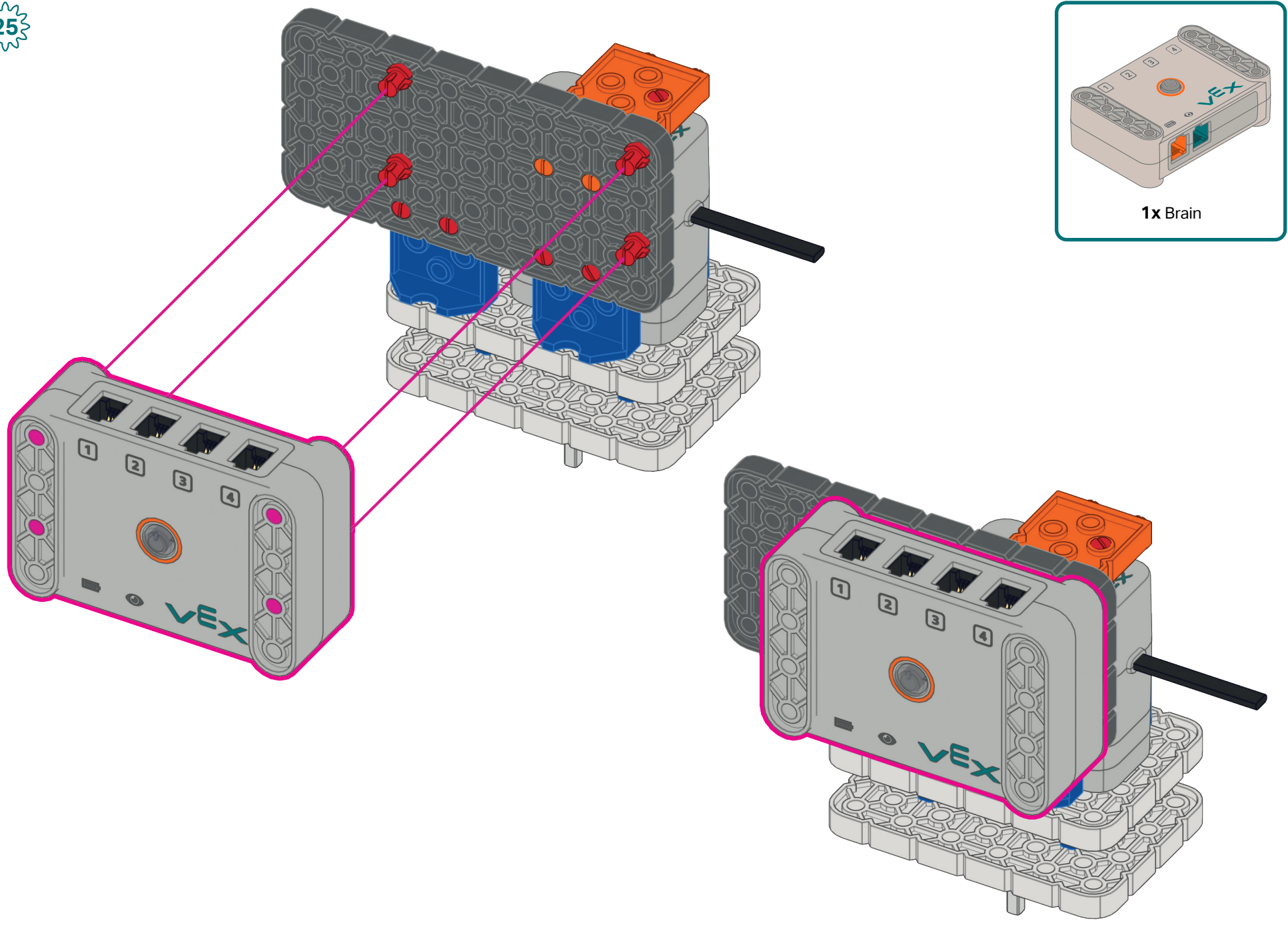


4x Red Pin

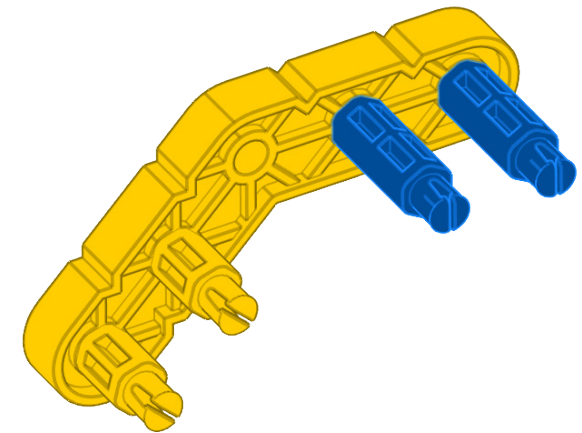
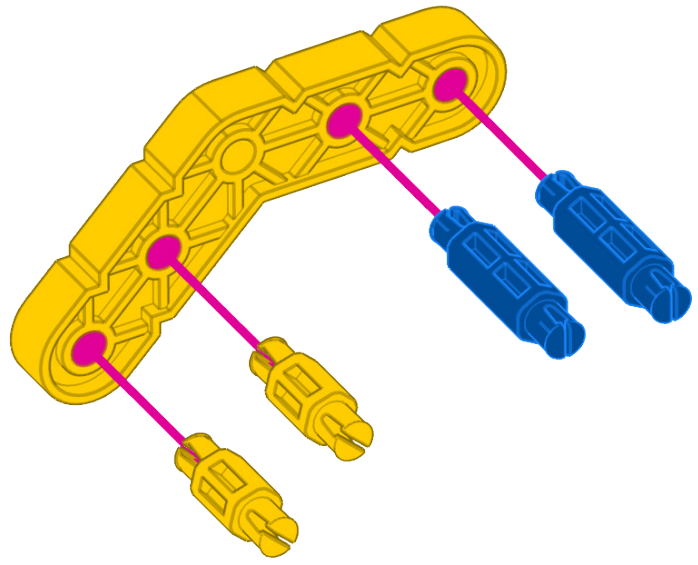
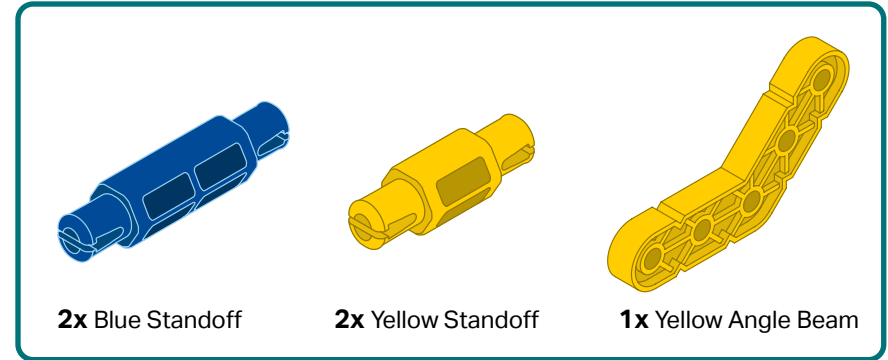
1x Dark Gray Large Plate

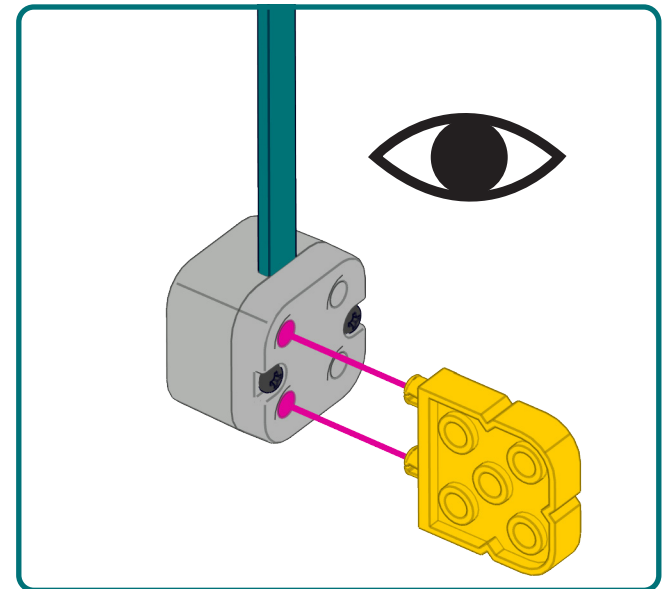
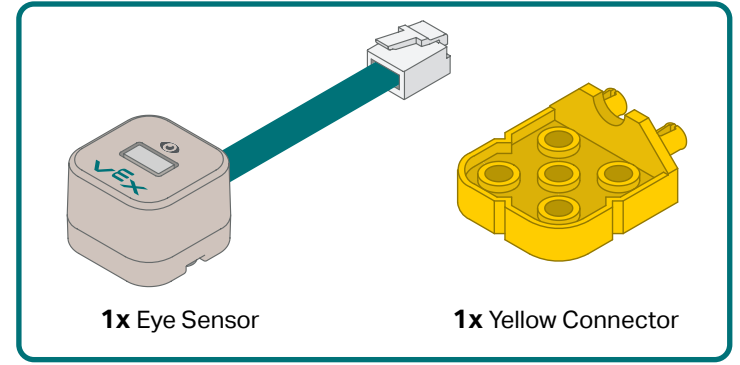
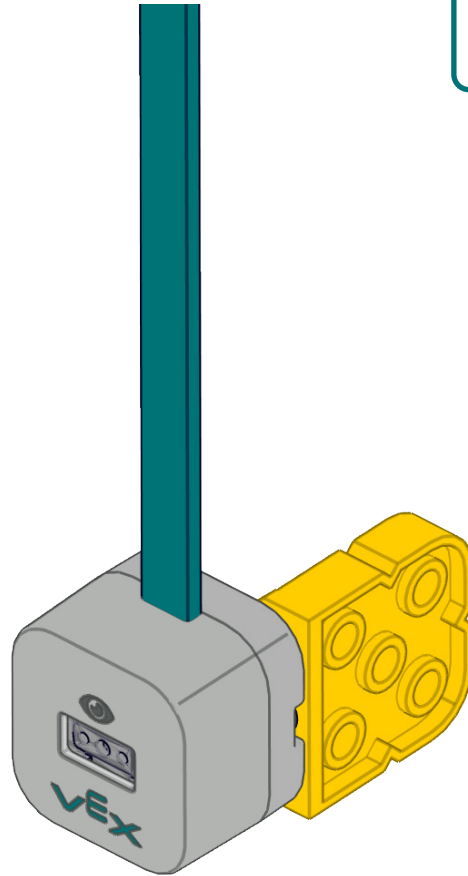
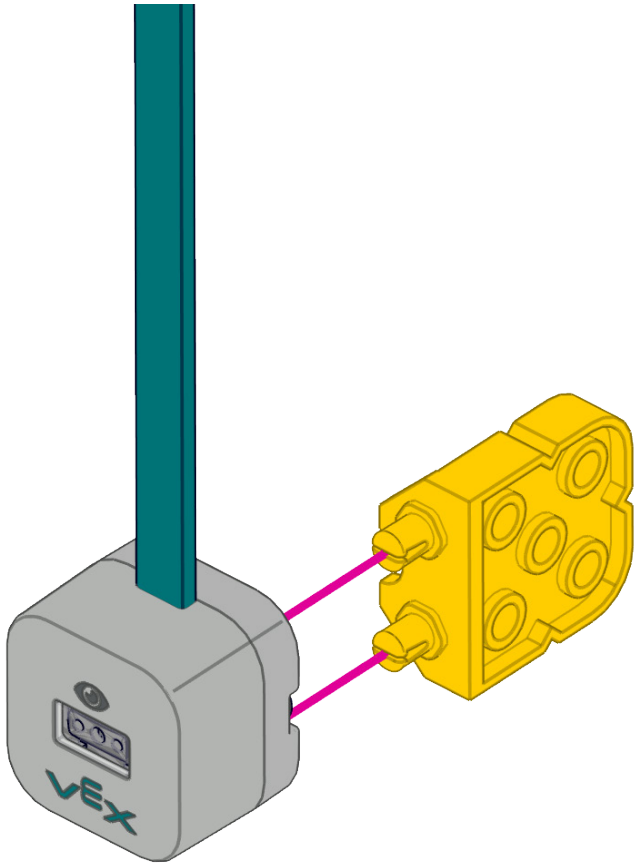


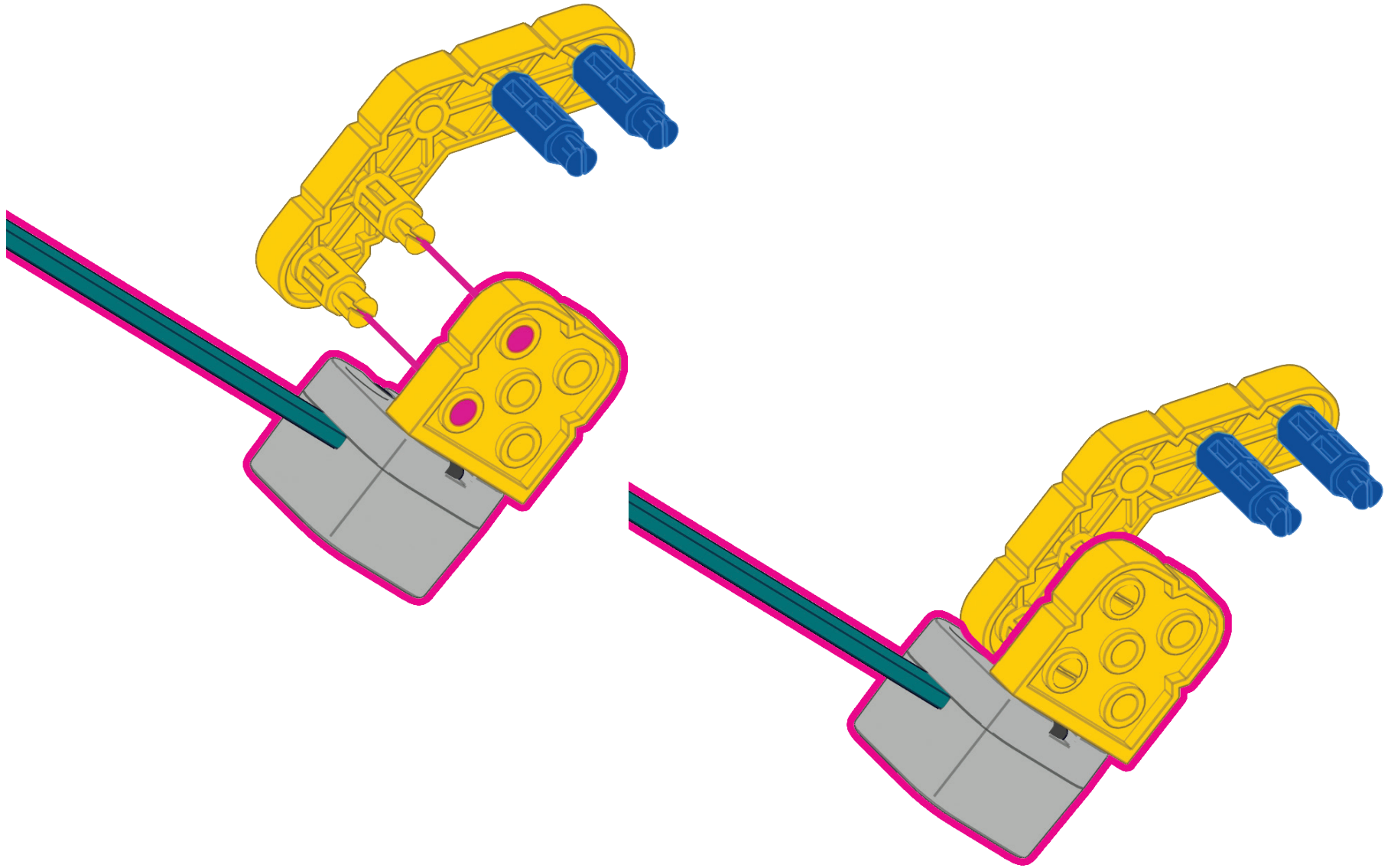




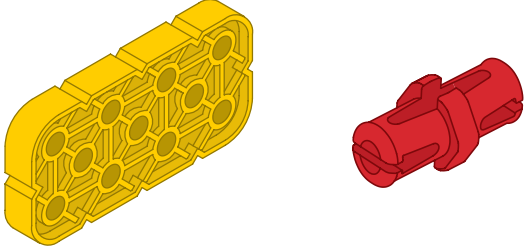
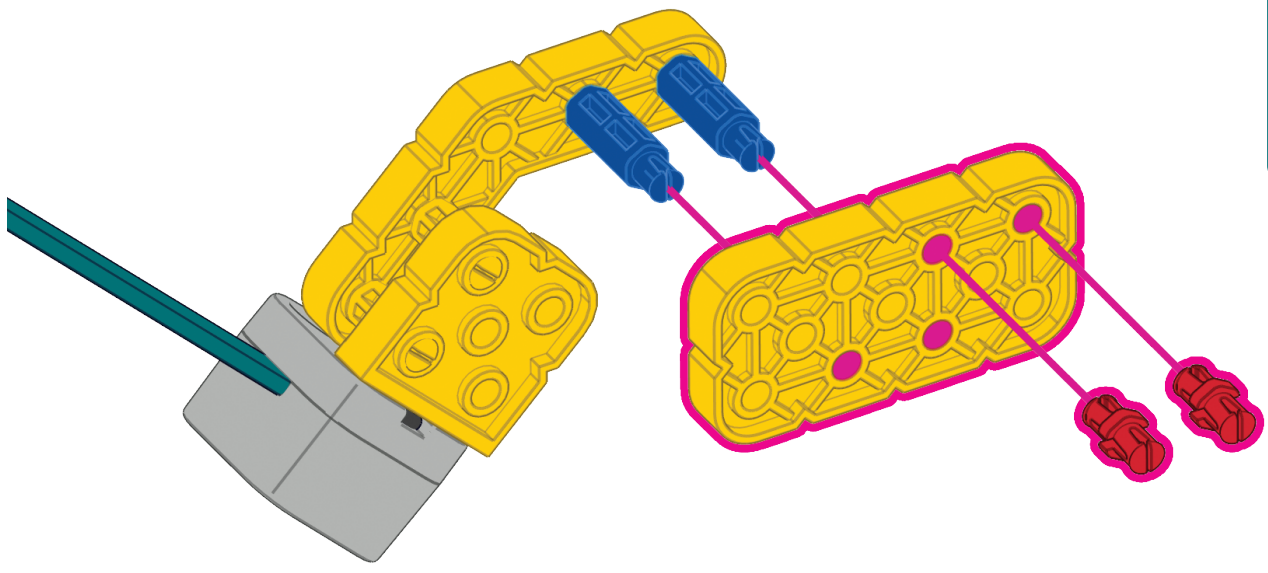
1x Brain





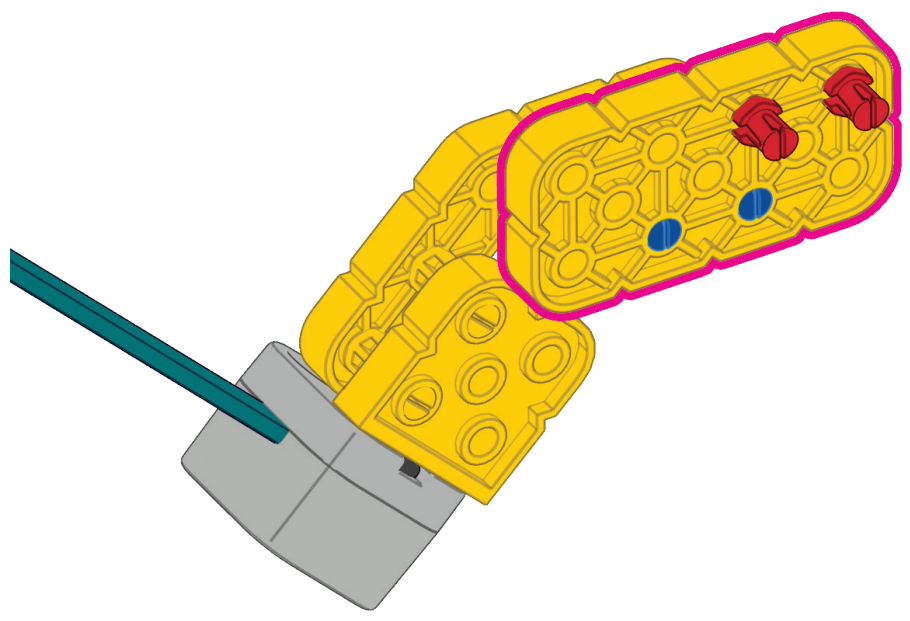




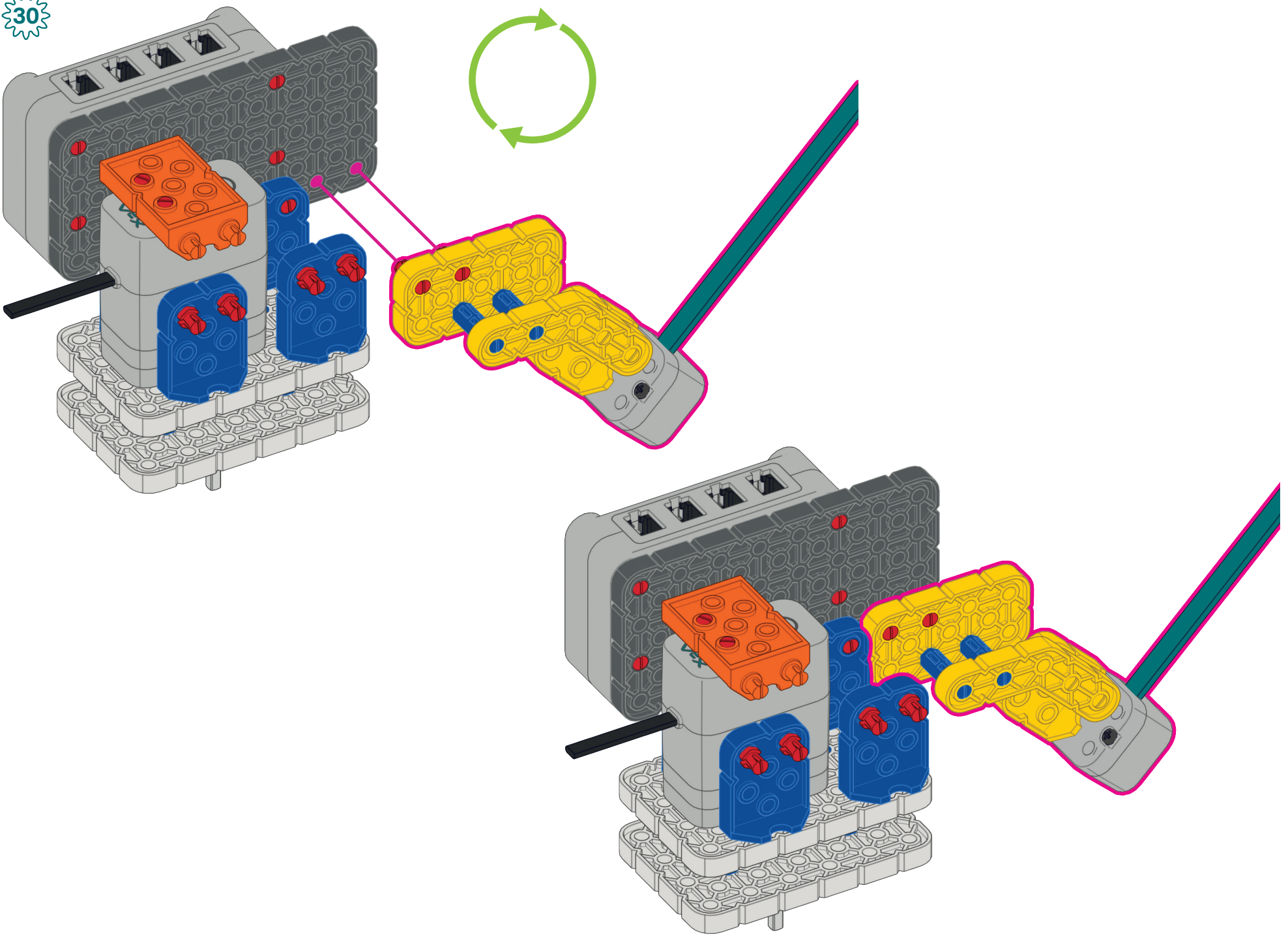


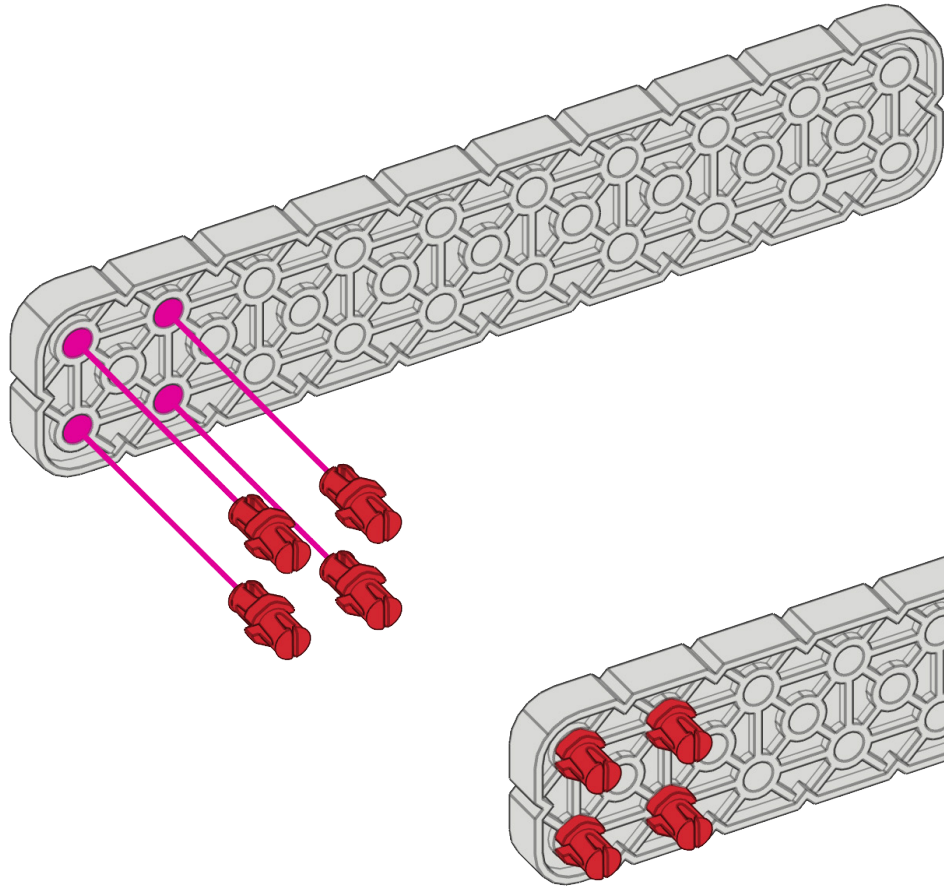
1x Yellow Large Beam

2x Red Pin

An inset box with a teal border containing a yellow large beam and two red pins. Below the beam is the text "1x Yellow Large Beam" and below the pins is the text "2x Red Pin".


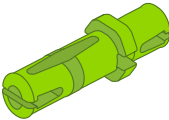
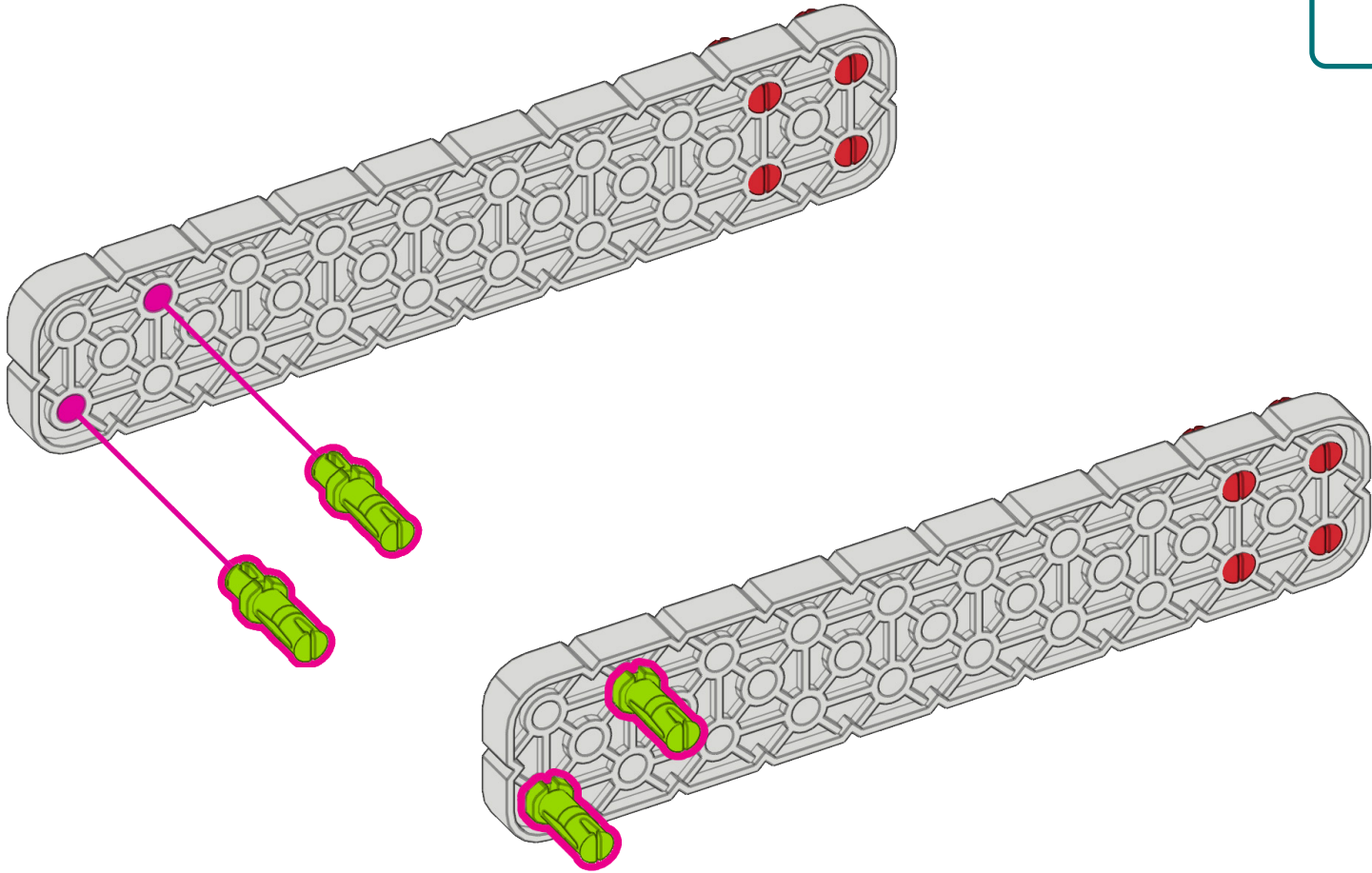
30



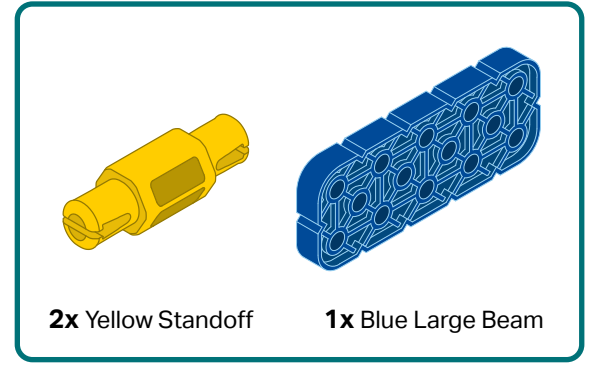
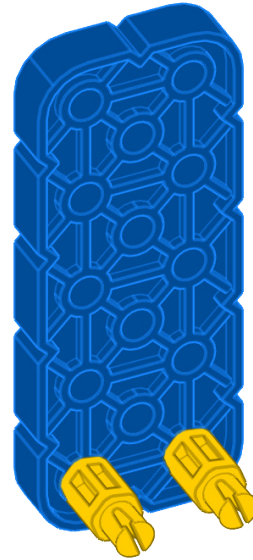
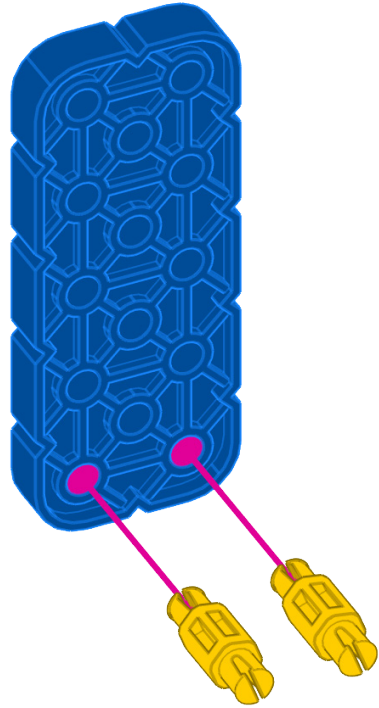


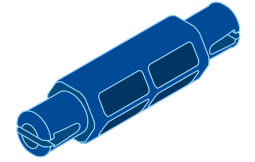
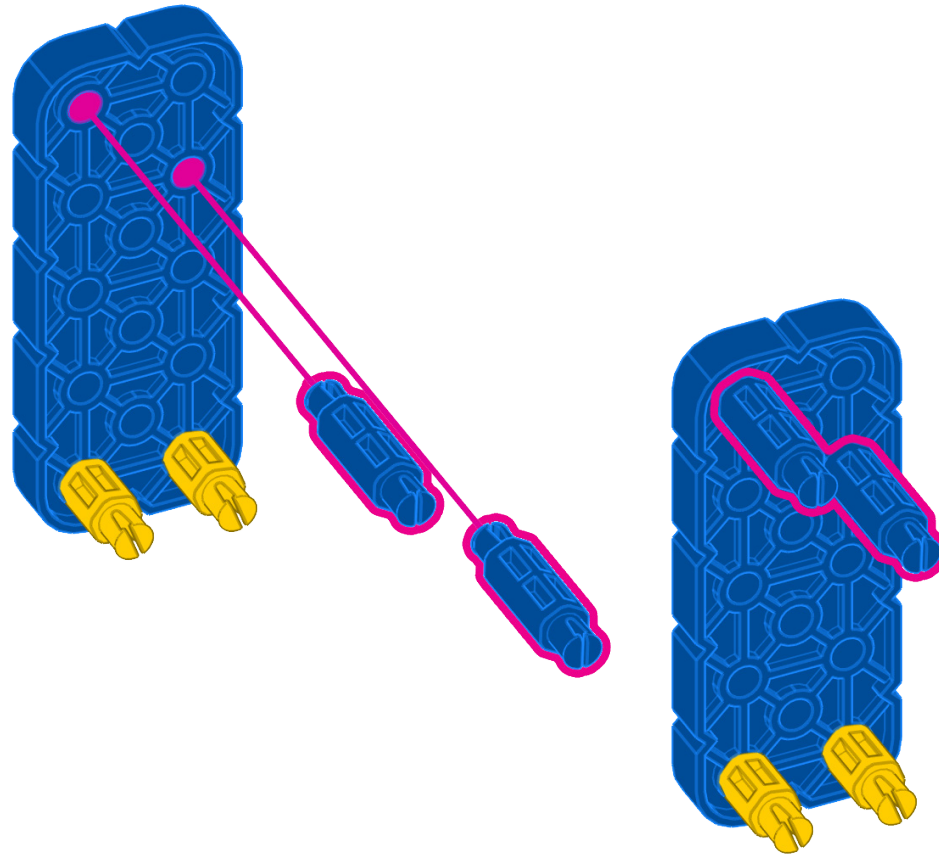
4x Red Pin      1x White Large Beam

The inset box contains two images of parts. On the left is a red pin, and on the right is a white large beam. Below the images are the labels '4x Red Pin' and '1x White Large Beam'.

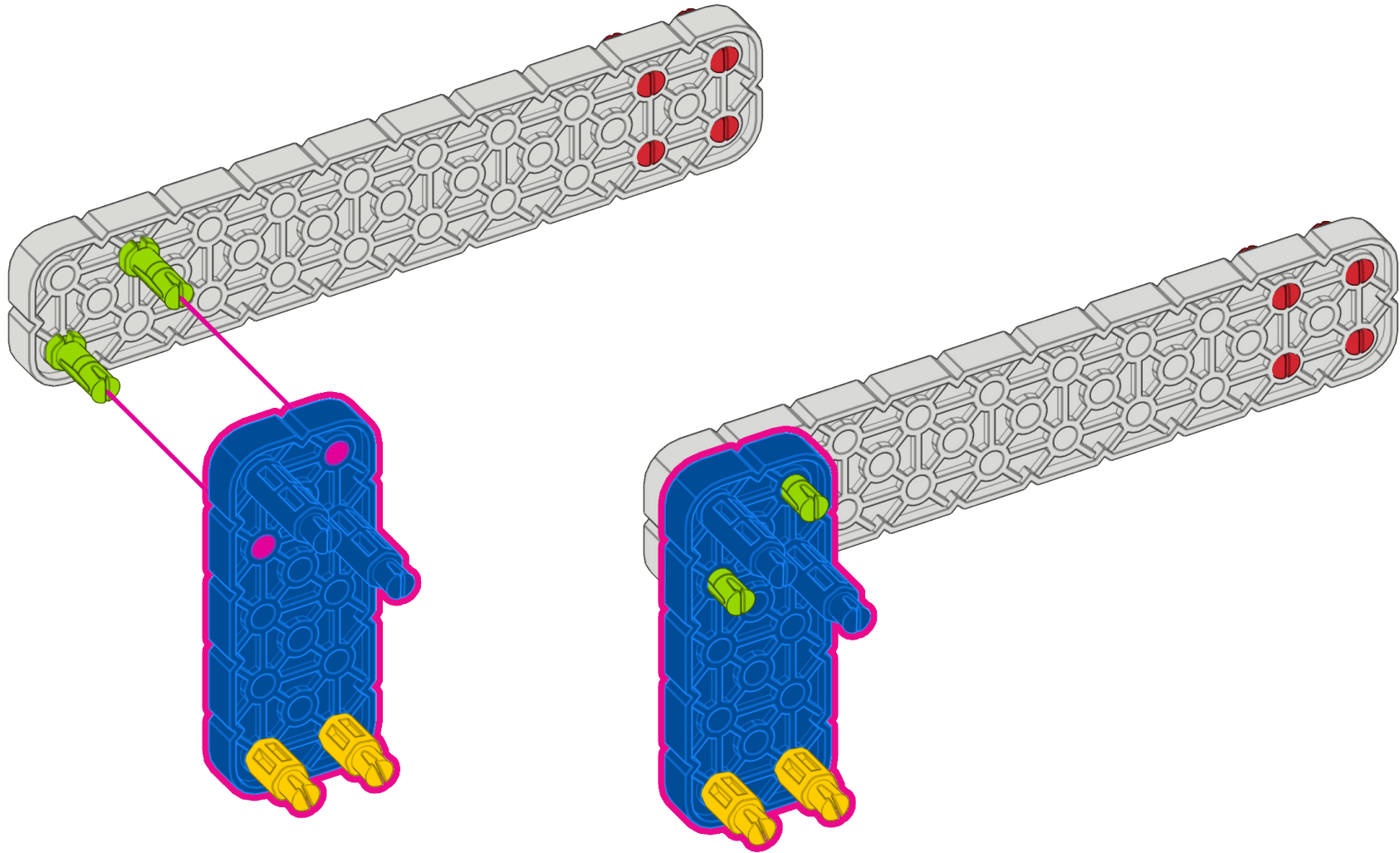


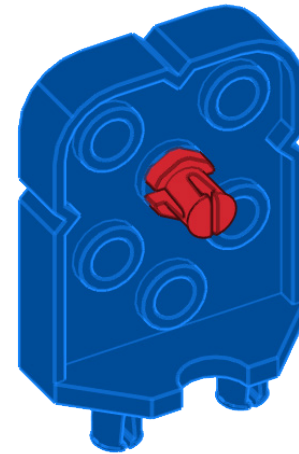
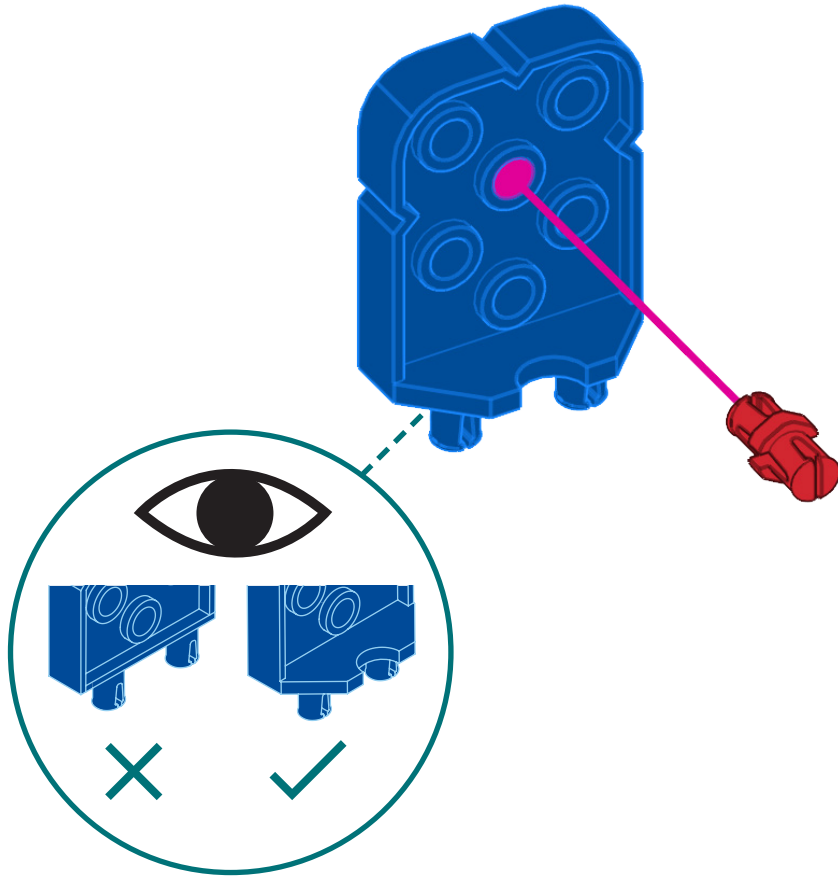
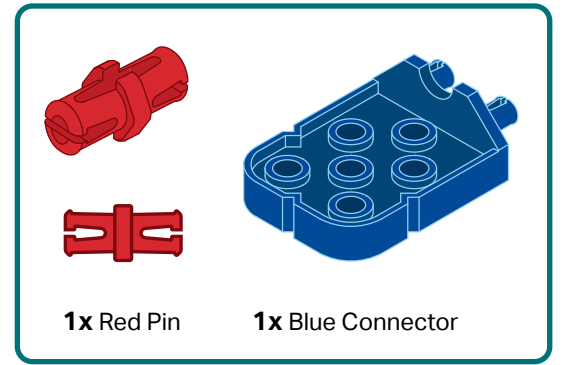
2x Green Pin



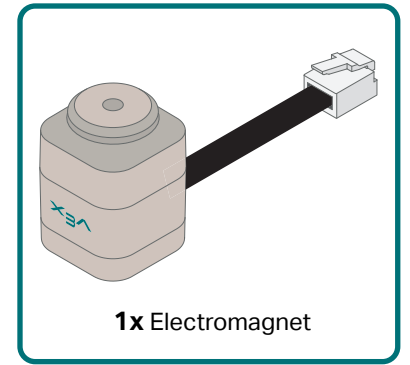
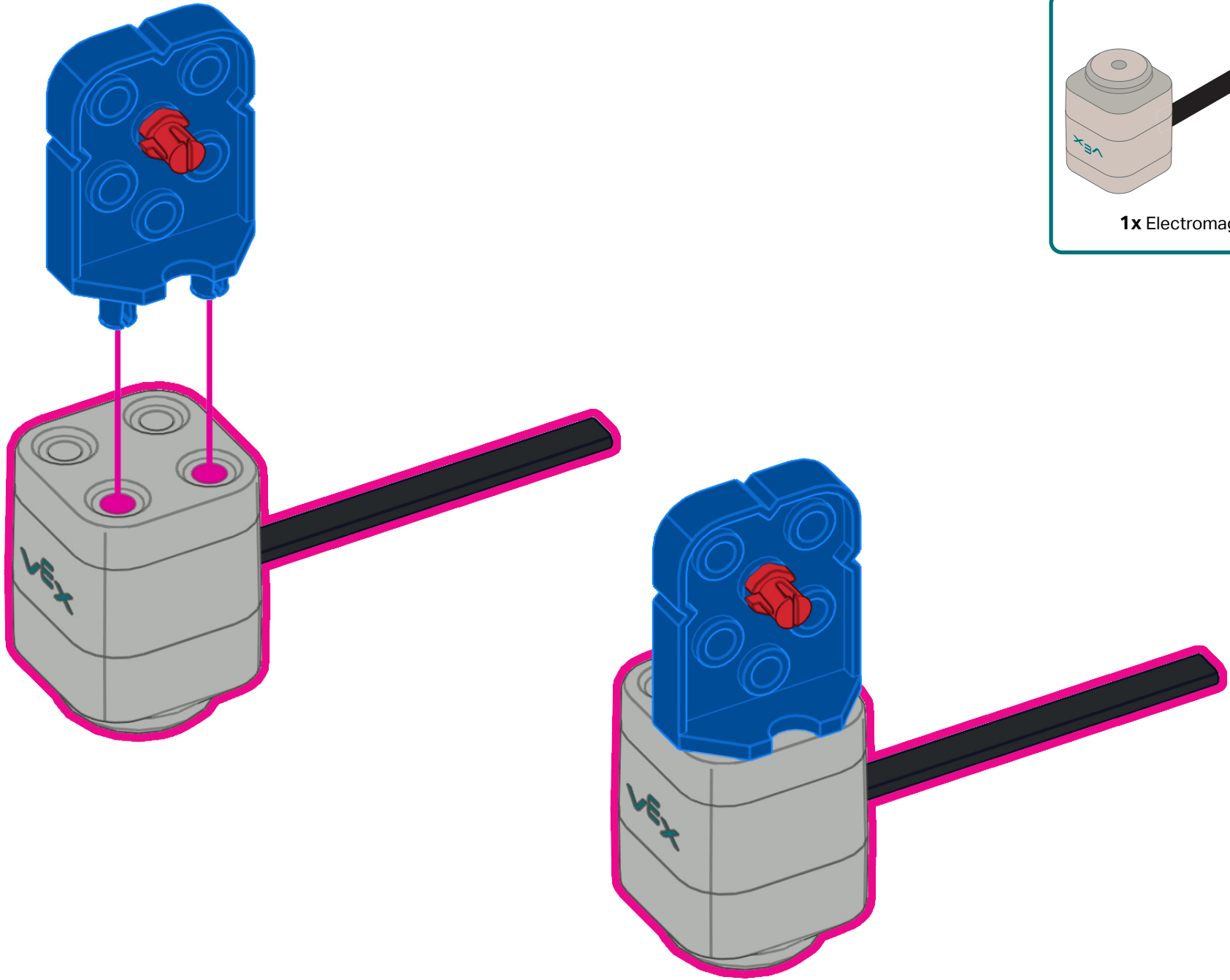


2x Blue Standoff

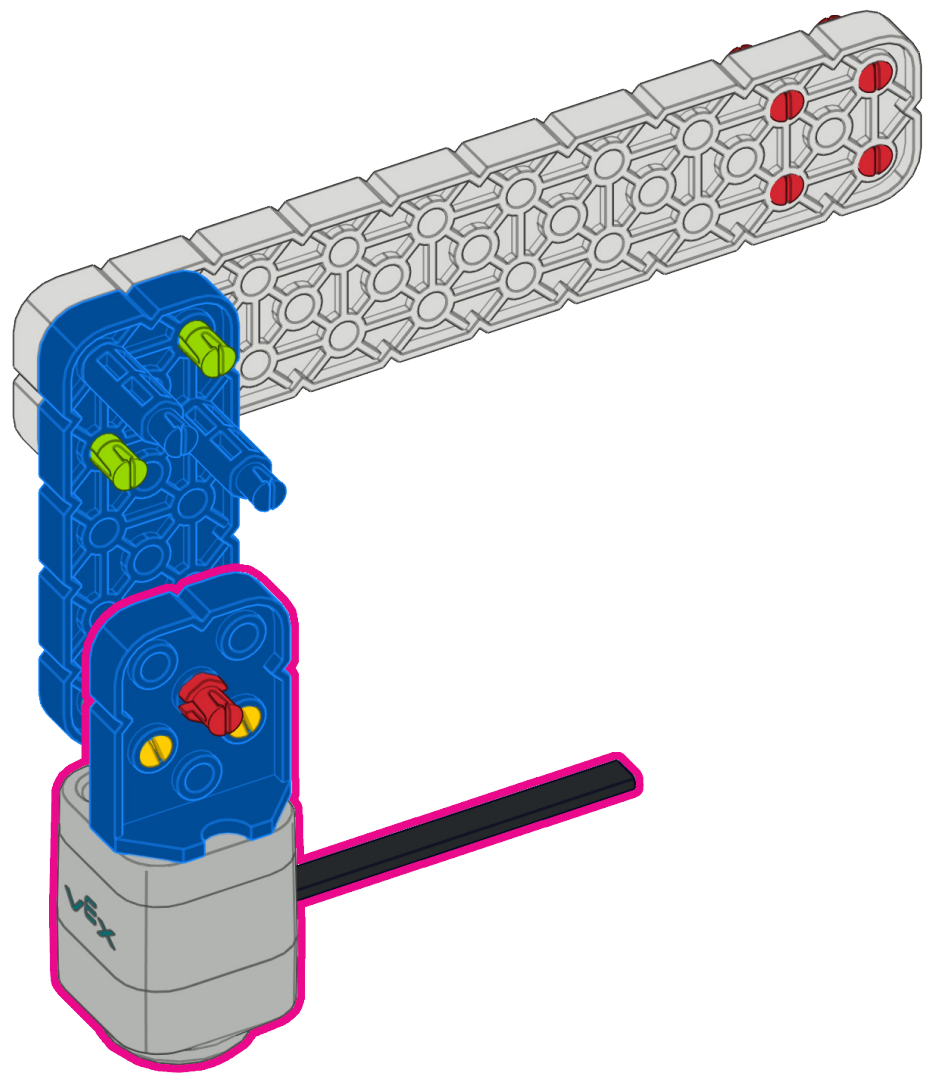
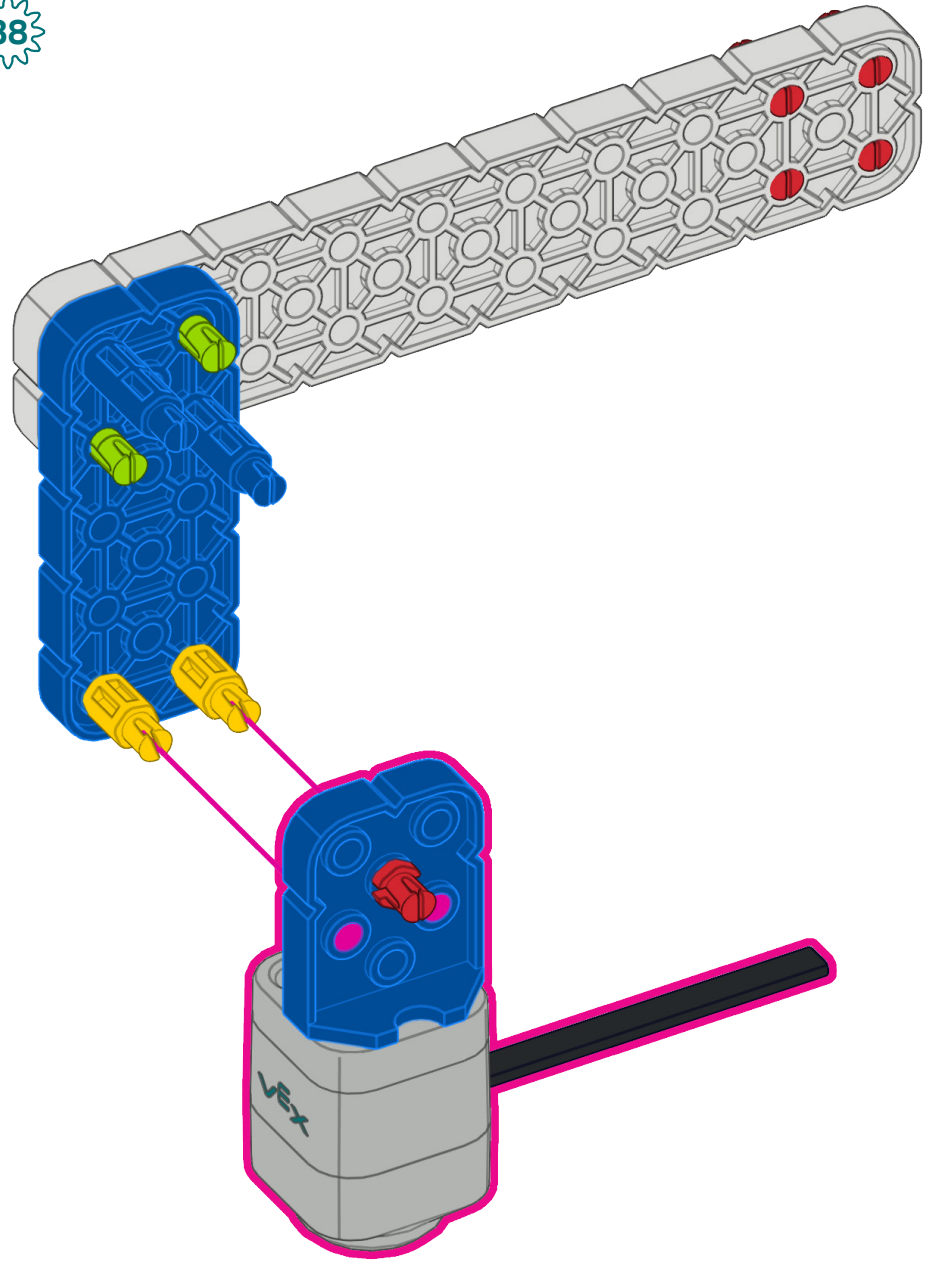


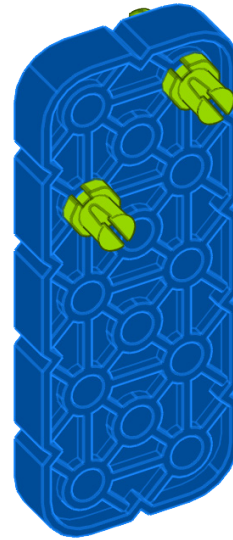
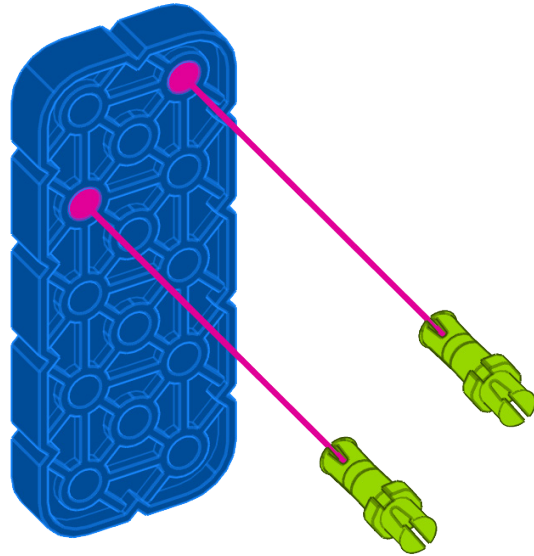




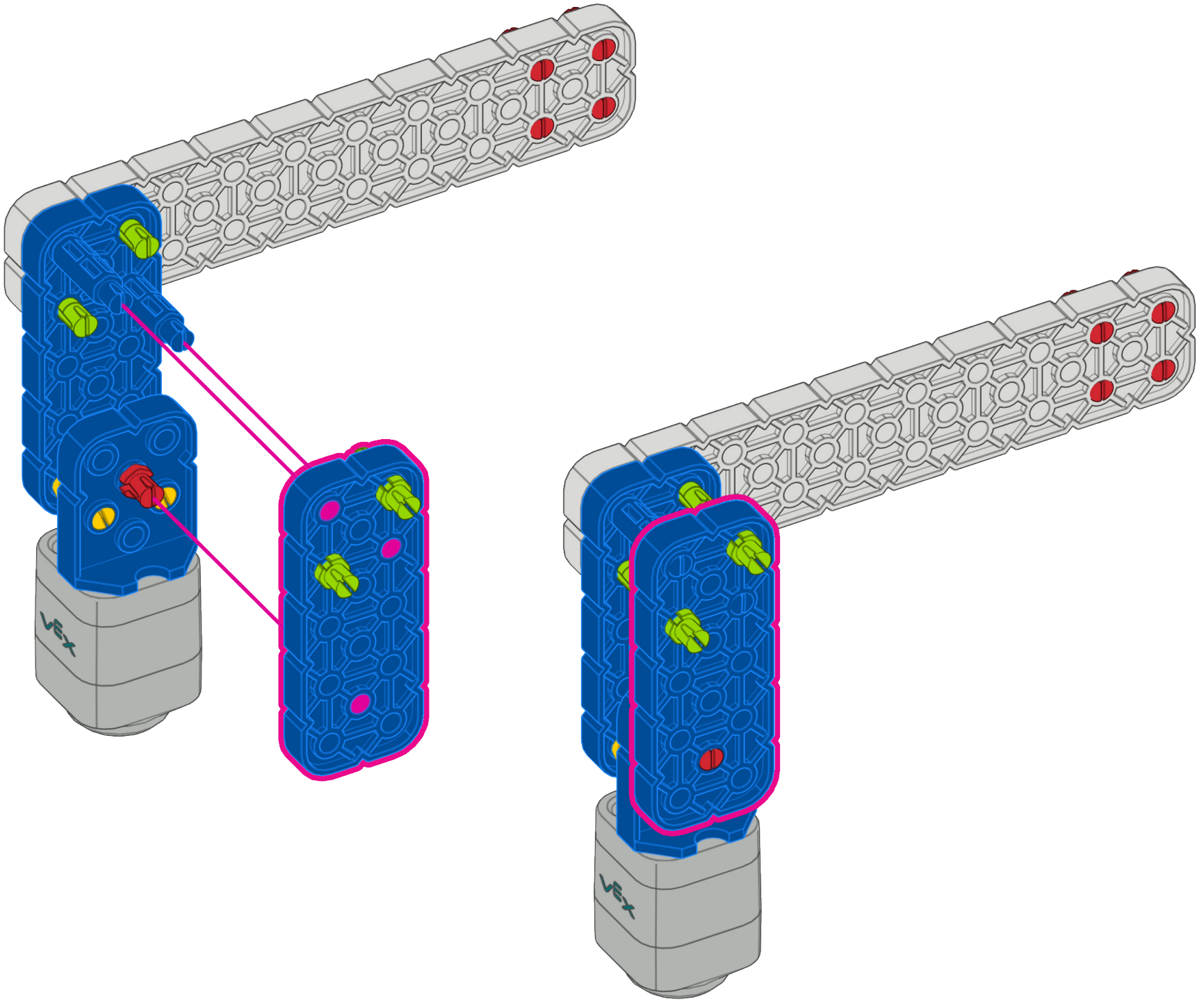


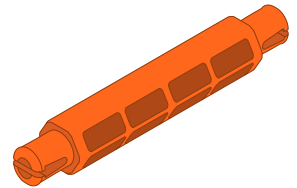
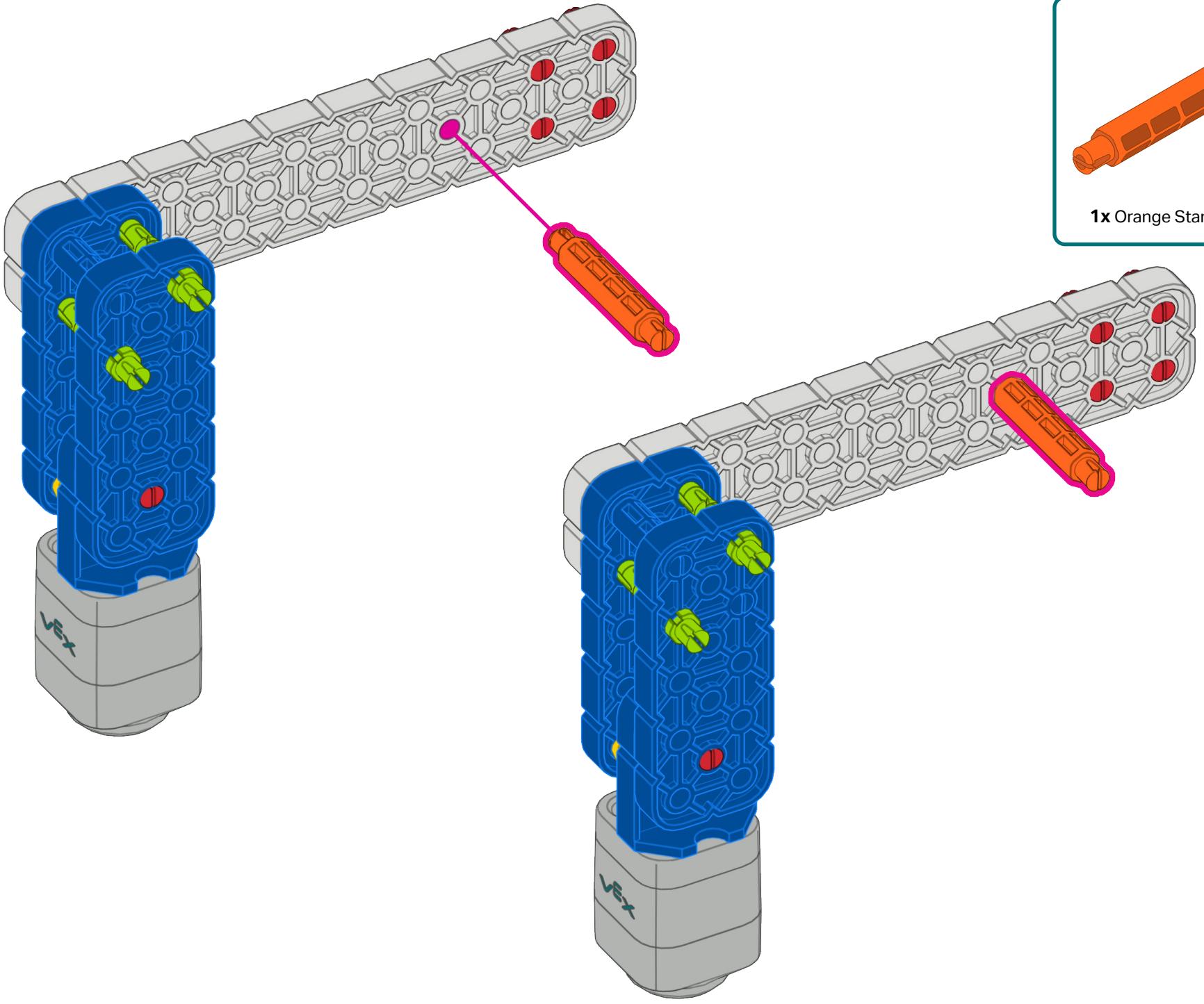
1x Electromagnet



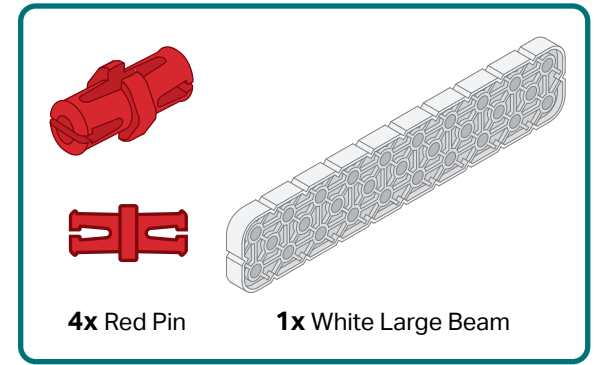


2x Green Pin      1x Blue Large Beam



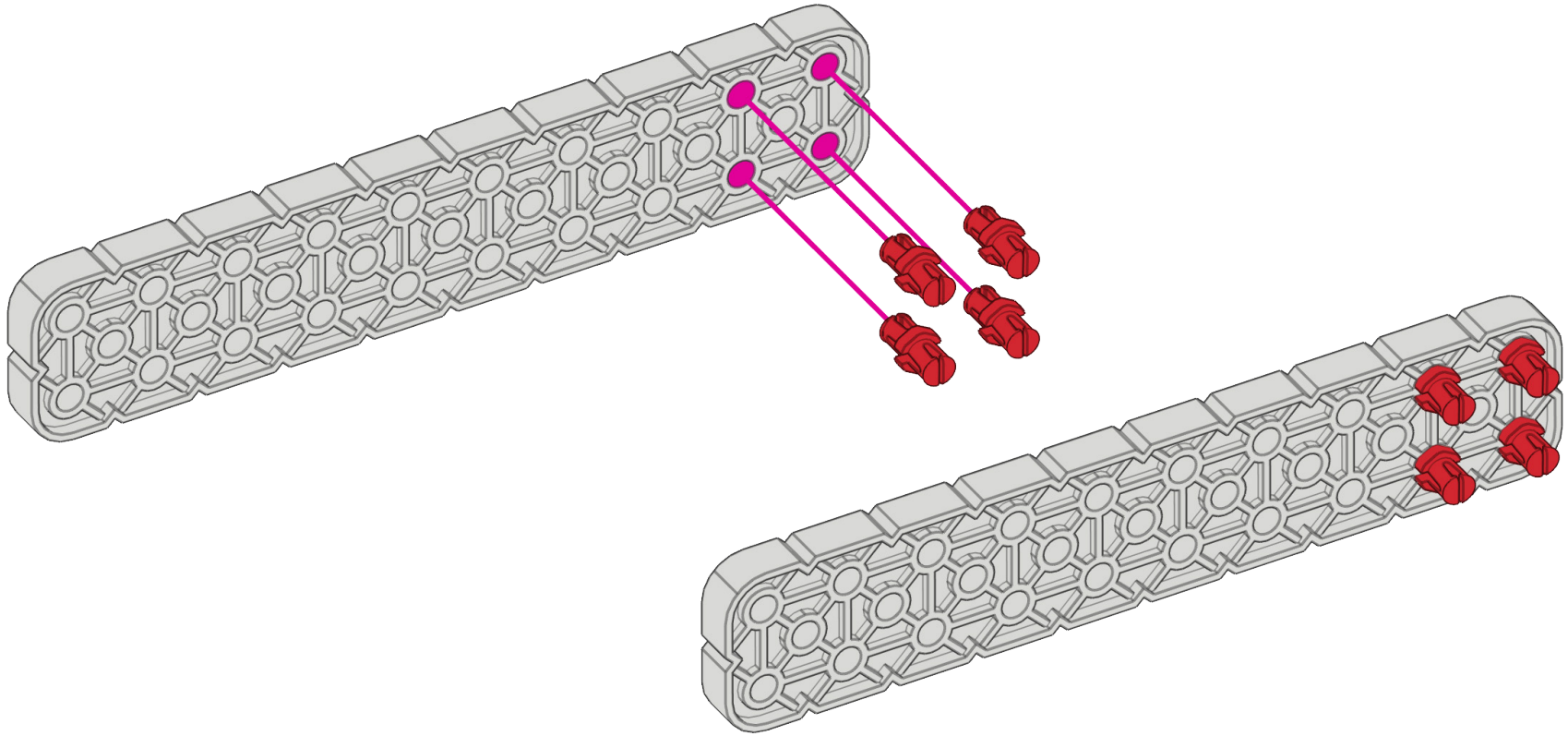


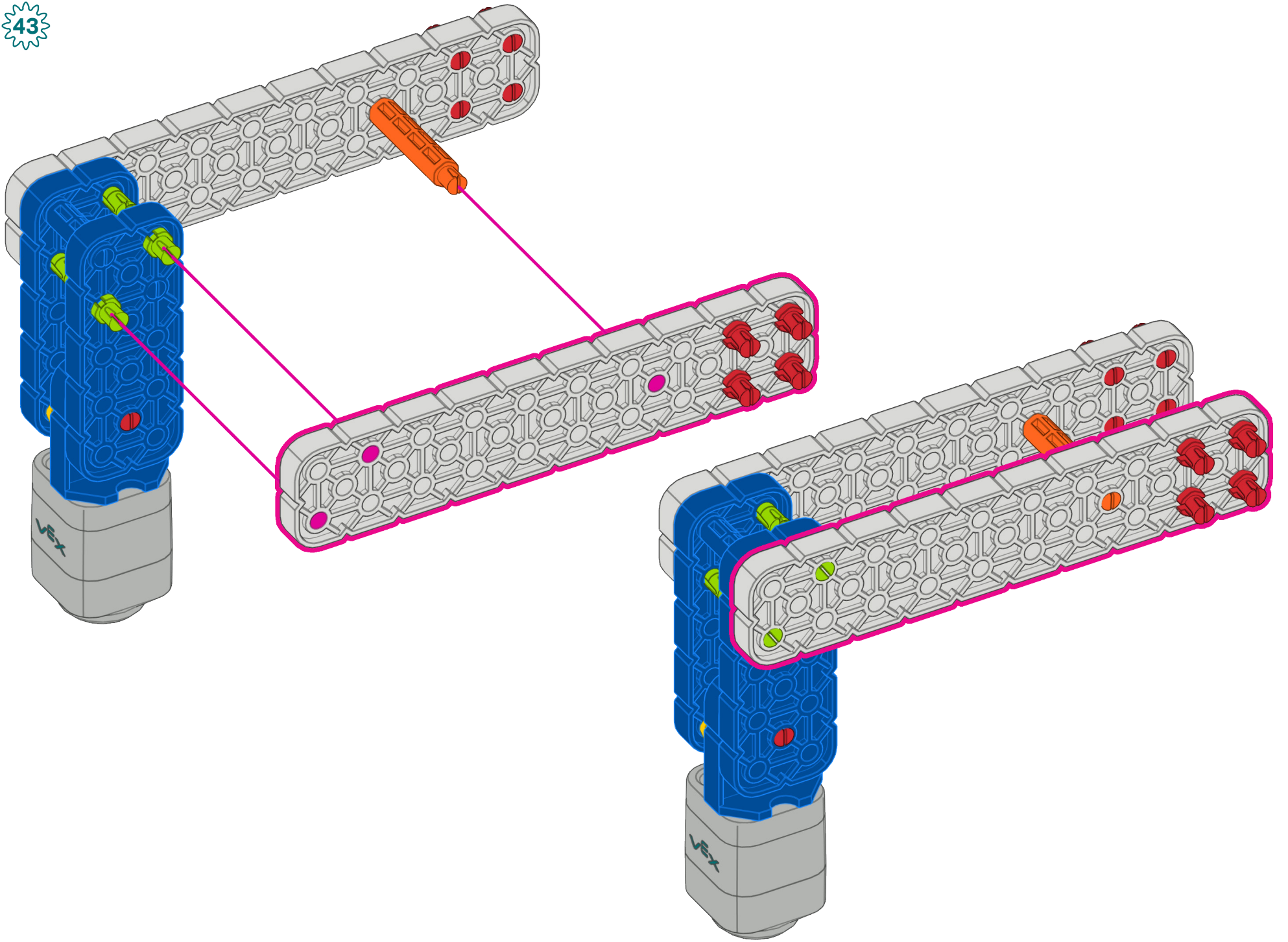
1x Orange Standoff

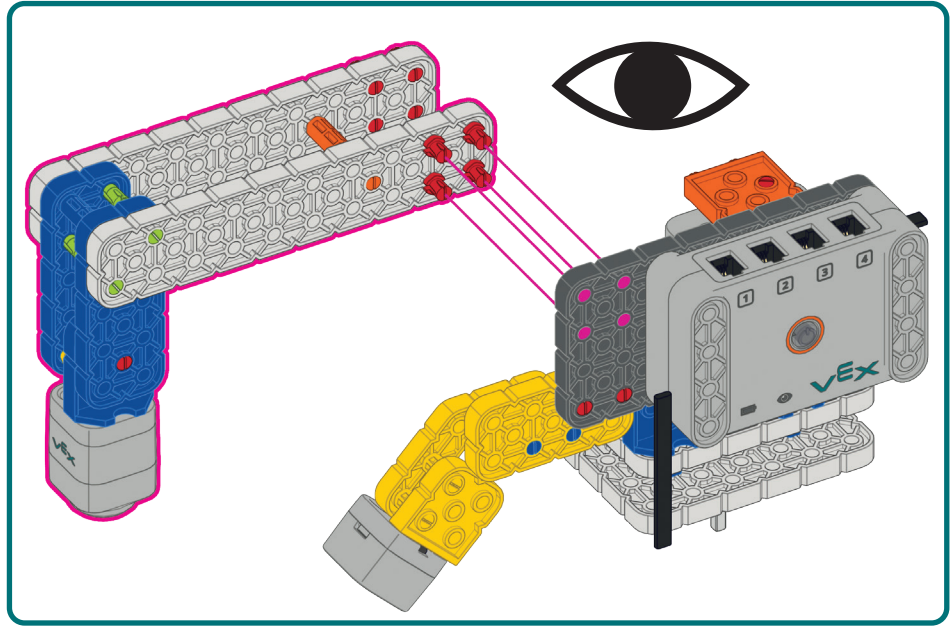
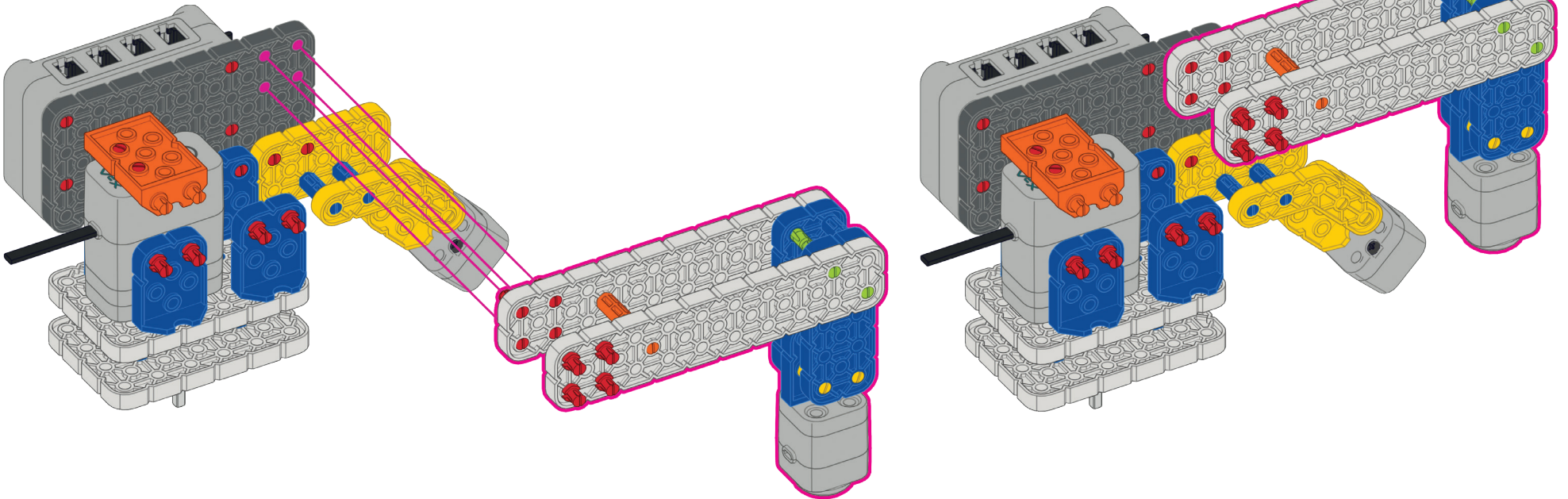


4x Red Pin      1x White Large Beam

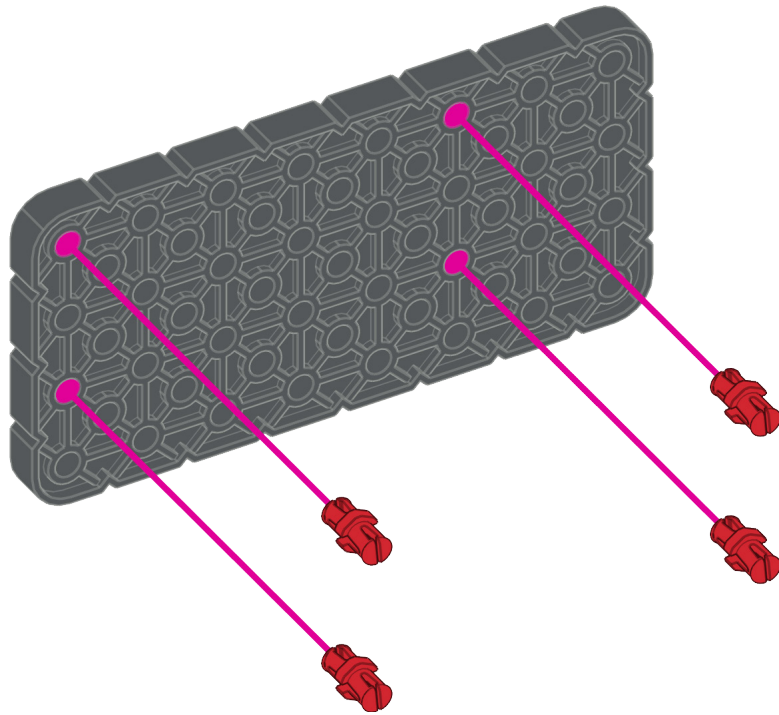
This block contains a parts list for step 42. It features two red pins and a red T-shaped connector, with pink lines indicating their placement on a white large beam. The beam is shown in a perspective view, highlighting its length and the grid of holes. The text '4x Red Pin' and '1x White Large Beam' is positioned below the parts list.



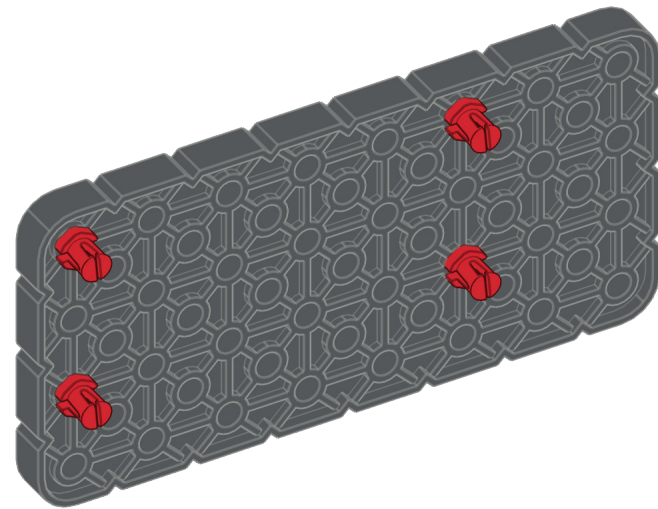


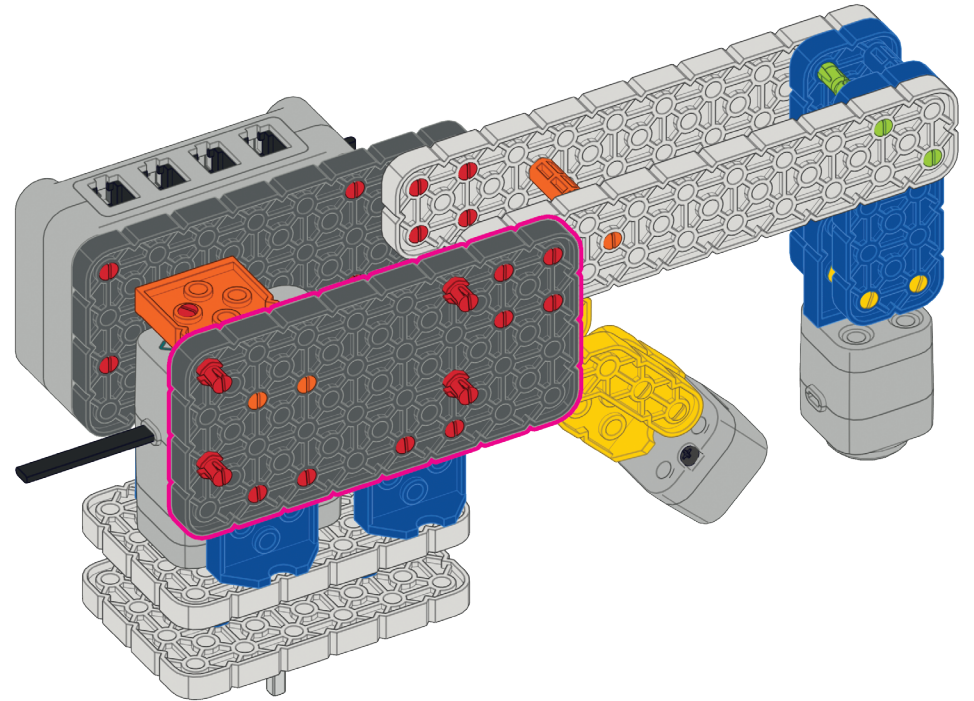
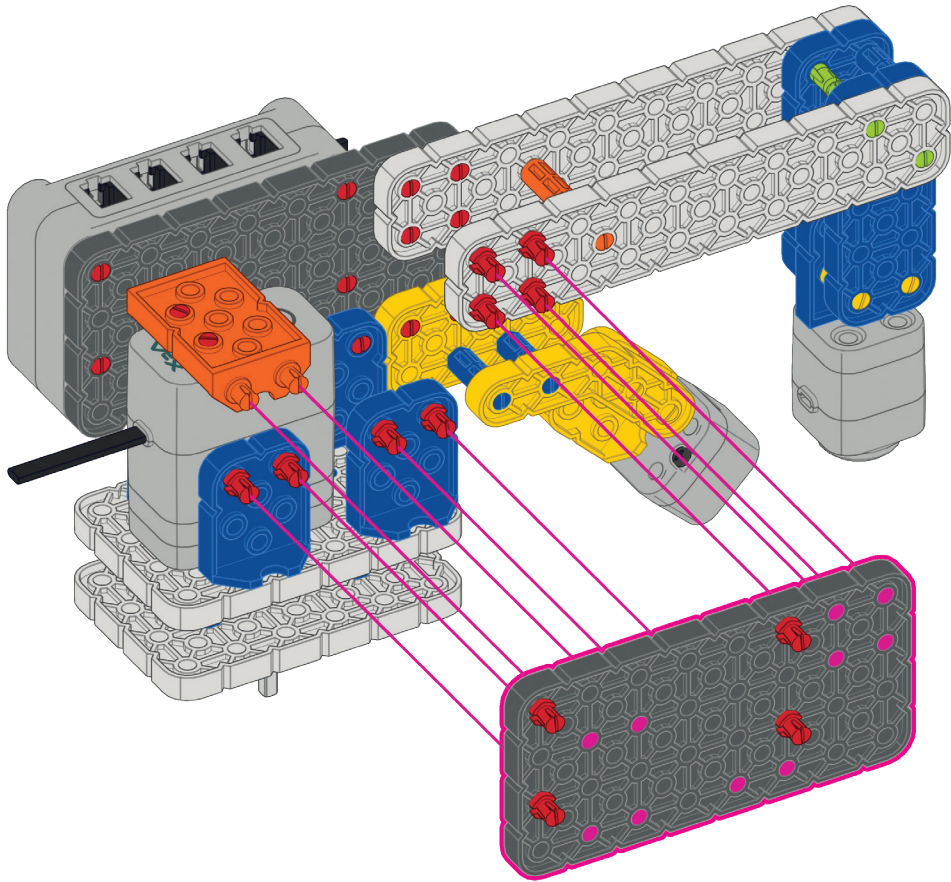


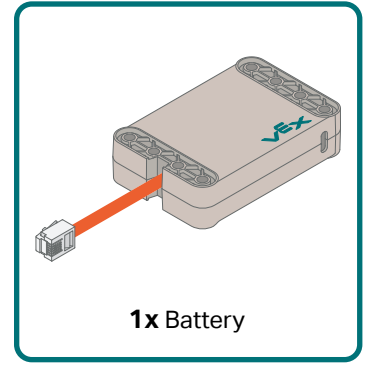
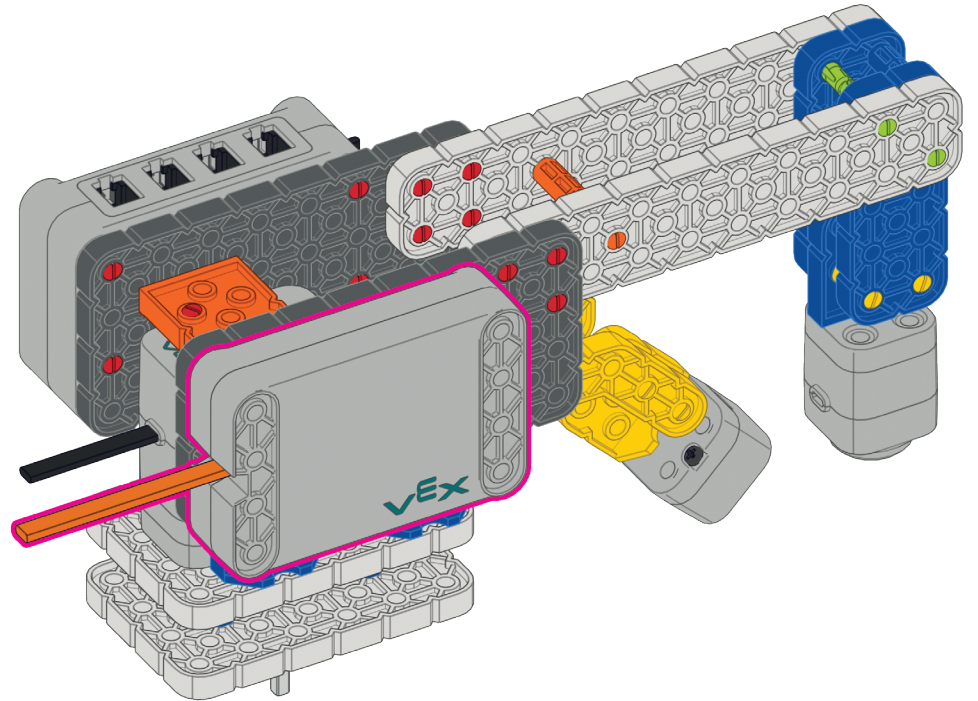
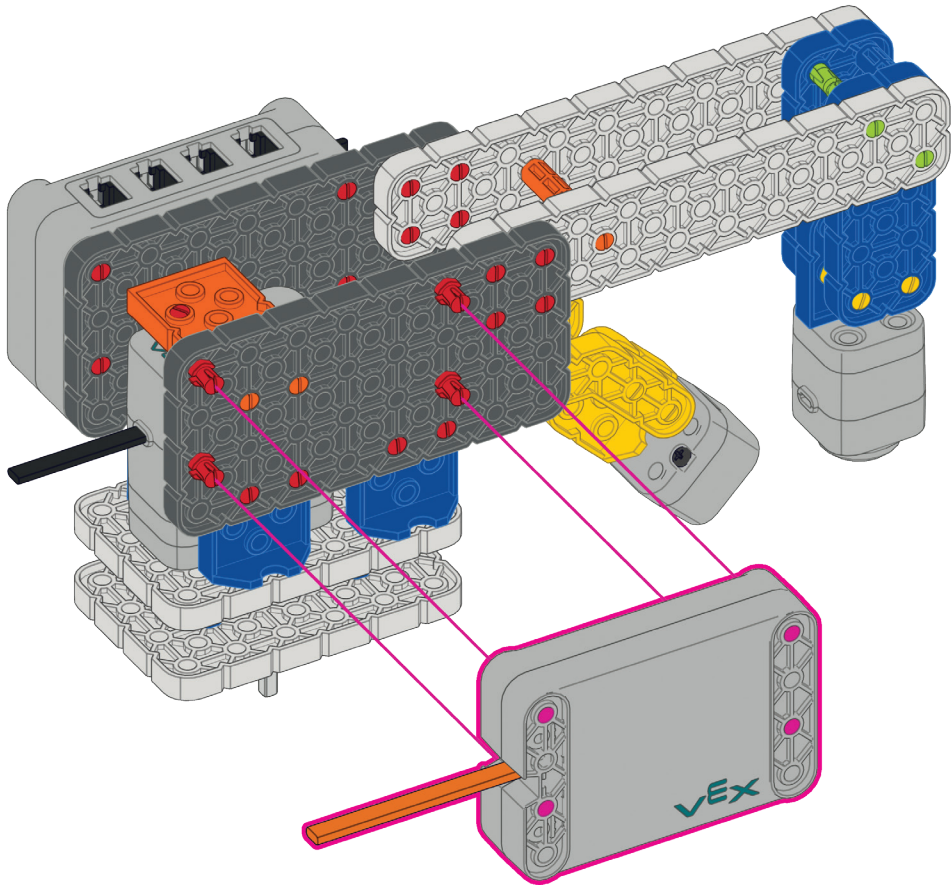


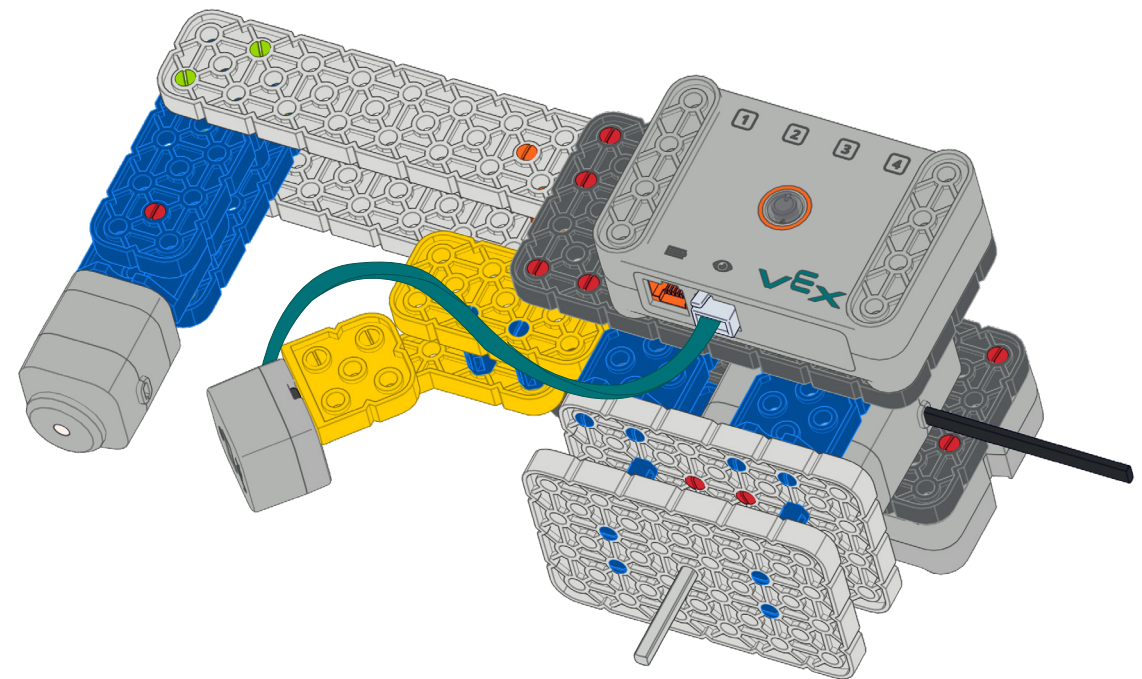
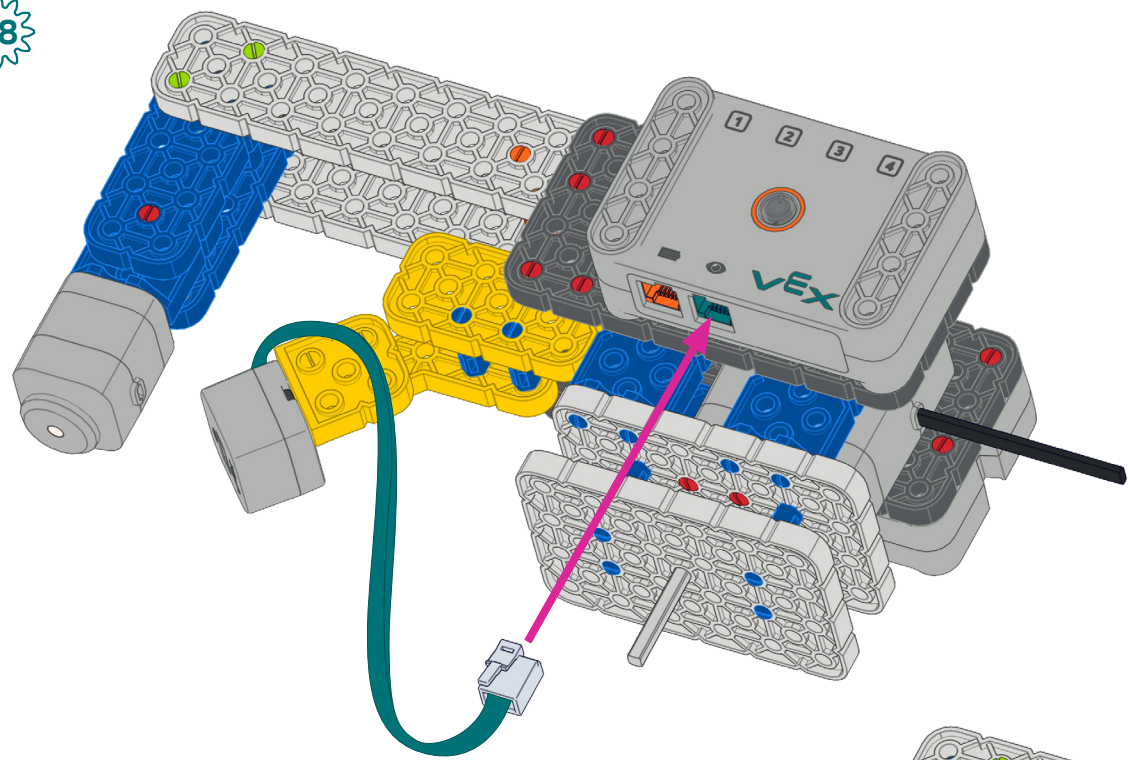


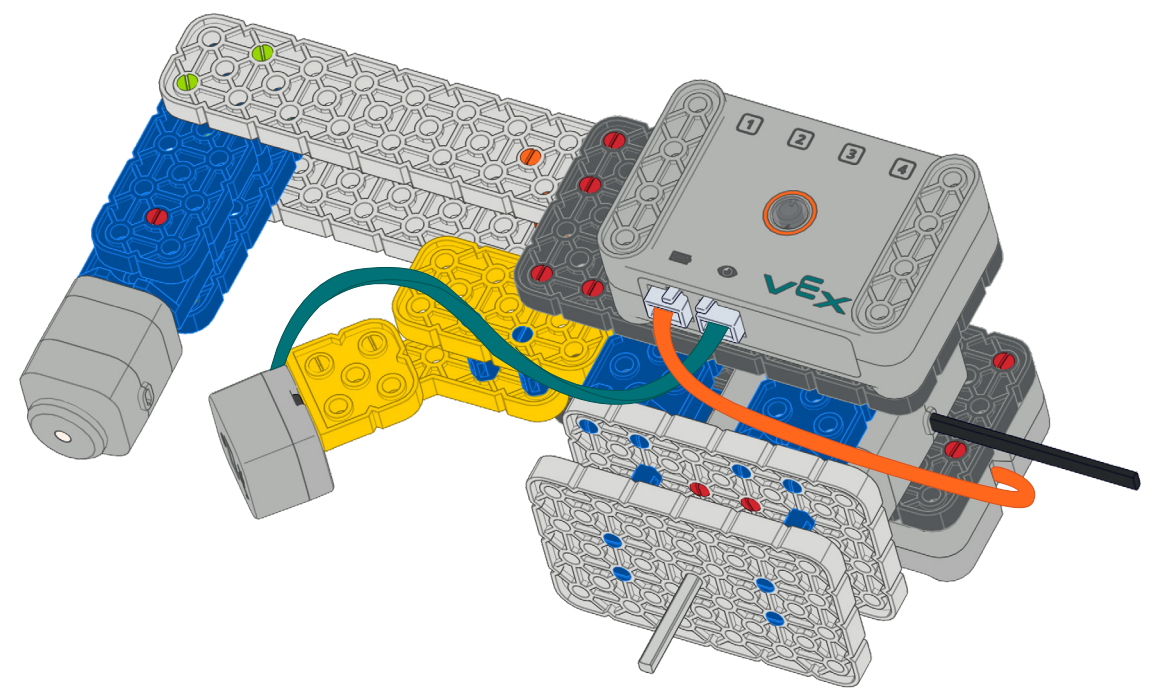
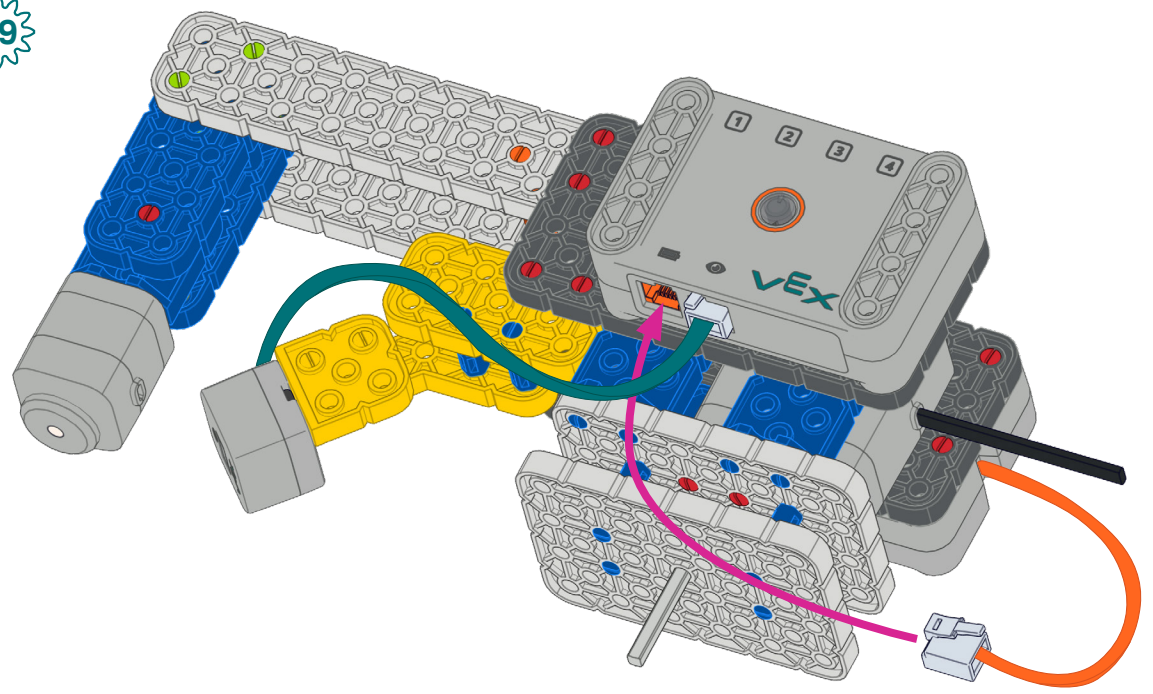
4x Red Pin      1x Dark Gray Large Plate

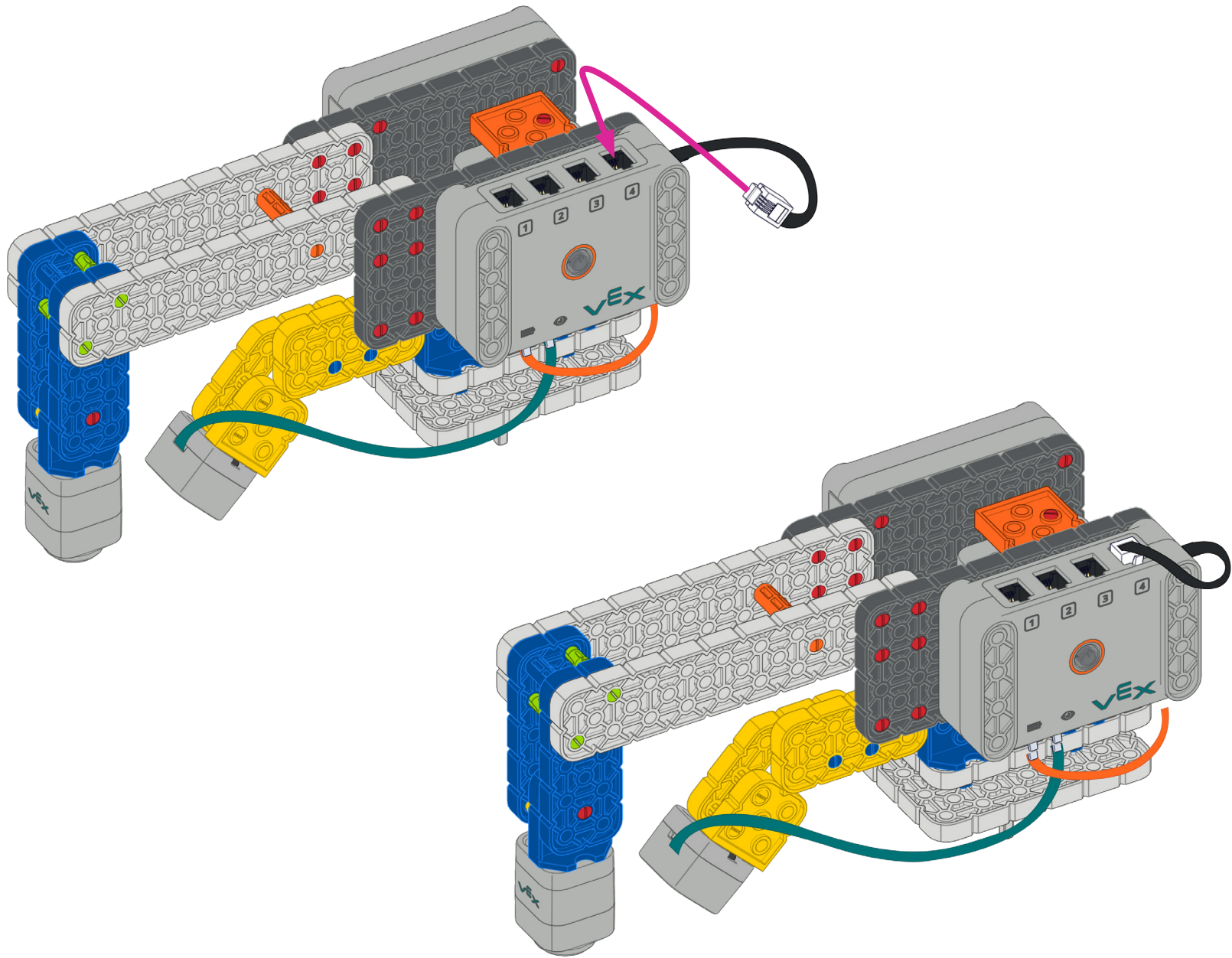


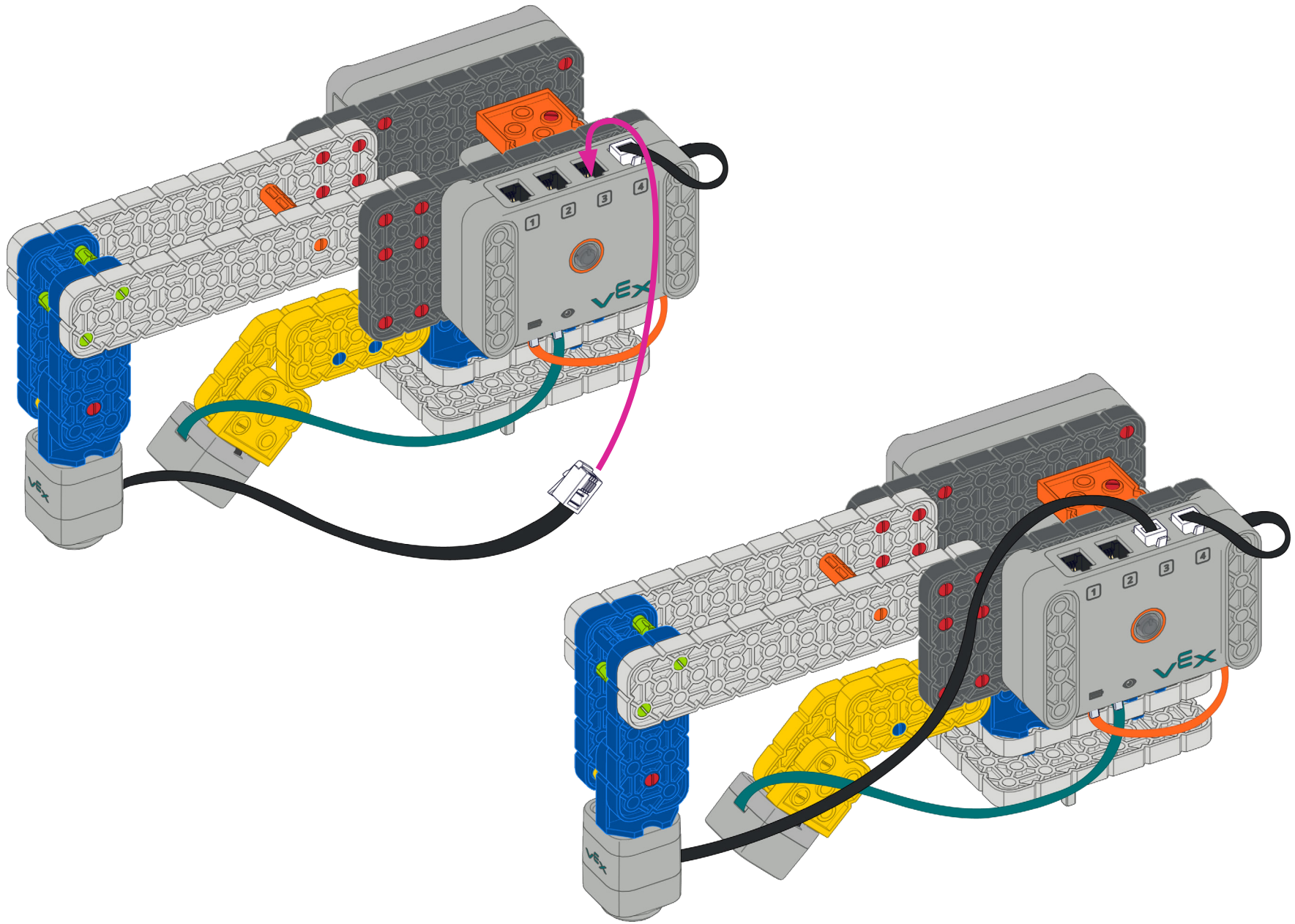


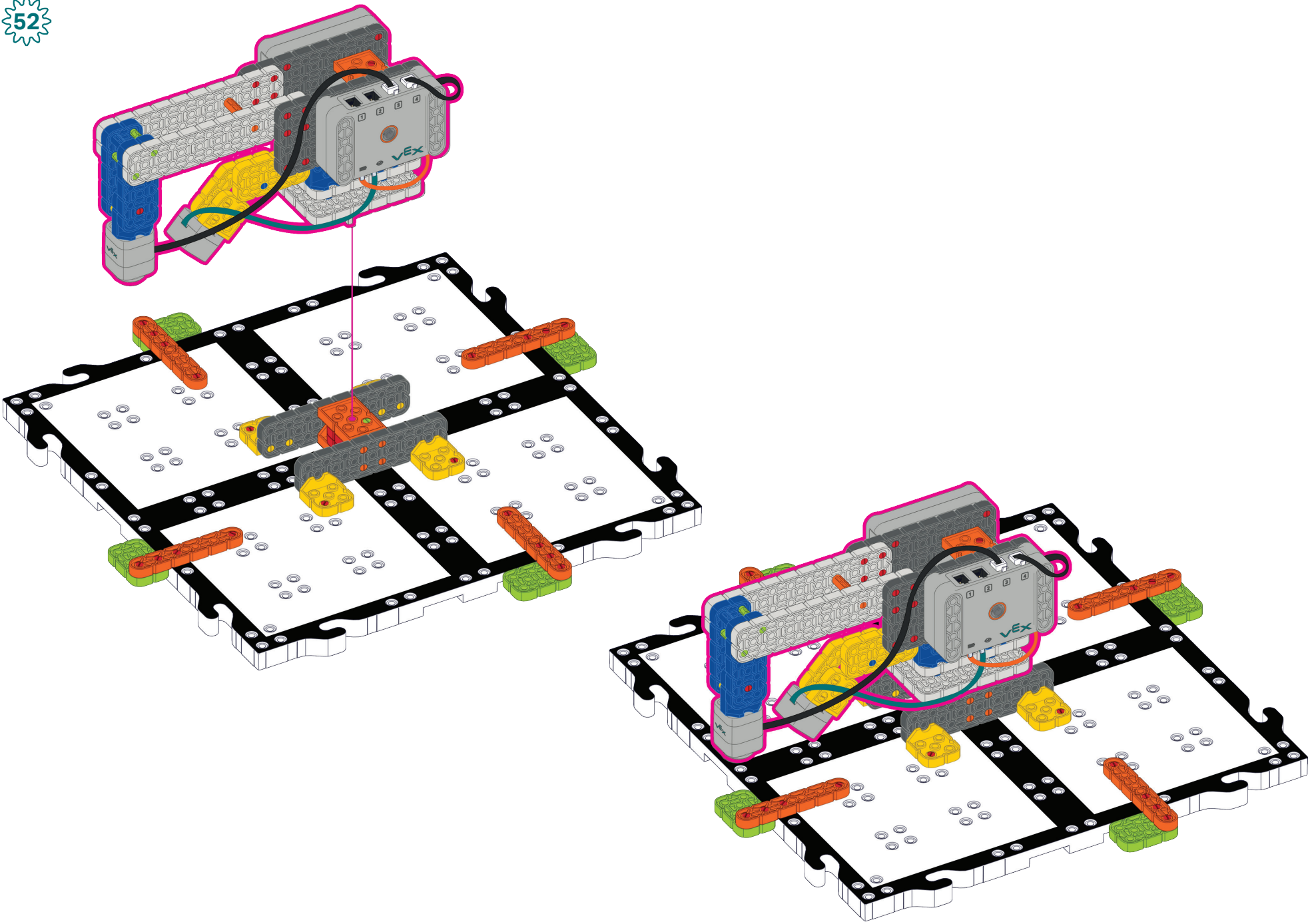














# Code Robot Arm (1-Axis) Build Instructions

269-6913-200 Rev7



Custom manufactured in China for Innovation First Trading SARL. Distributed in the U.S.A, Mexico, Caribbean, Central & South America by VEX Robotics, Inc., 6725 W. FM 1570, Greenville, TX 75402, U.S.A. Distributed in China by Innovation First International (Shenzhen) Ltd., Suite 1906, Excellence Tower, 98 Fuhua Yi Road, Futian, Shenzhen, Guangdong, China 518048. Distributed in other regions by Innovation First Trading SARL, Innovation First Trading SARL, Parc Logistique Eurohub Sud, 3434 – Dudelange, Luxembourg +352 27 86 04 87. Distributed in Canada by / Distribué au Canada par / Innovation First Trading, LLC, 6725 W. FM 1570, Greenville, TX 75402, U.S.A.